

Slip rings

Three chamber system	Ethernet transmission	SR120
-----------------------------	------------------------------	--------------



In general slip rings are used to transmit power, signals or data, pneumatic and hydraulic, from a stationary to a rotating platform.

The transmission between the stator and rotor takes place via sliding contacts and is extremely reliable.

The slip ring SR120 is ideal for applications requiring high transmission rates. The three chamber system allows parallel transmission of signals, load and data up to 100 Mbit/s.

Rugged

- Reliable operation in harsh environments.
- Rugged metal housing.
- High protection level IP64.

Flexible

- Fast and easy installation.
- Modular construction.
- Wide variety of connector and cable connections.

Reliable with the three chamber system

- Reliable thanks to interference-proof transmission.
- Transmission of Ethernet, signal, load, pneumatics and hydraulics.
- Innovative contact technology, low-maintenance and durable.
- Fieldbus or Ethernet up to 100 Mbit/s.
- UL approval in preparation.

Application areas for slip rings

Industrial automation, bottling plants, labelling machines, rotary tables, ...

Order code

for standard versions

SR120 - **XX** - **XX** - **XX** - **XX** - **X0X2** - **V100**
Type a b c d e f g h i

a Type of mounting

- 01 = flange mounting, rotor connections radial
- 02 = flange mounting, rotor connections axial

b Number of Ethernet transmissions

- 00 = none
- 01 = Ethernet transmission up to 100 Mbit/s

c Module signal / data channels ¹⁾

- 00 = none
- 02 = 2 channels
- 04 = 4 channels
- 06 = 6 channels
- C0 = CANopen
- D0 = DeviceNet
- M0 = Modbus
- P0 = Profibus

d Module load channels ²⁾

- 00 = none
- 02 = 2 x load
- 04 = 4 x load
- 06 = 6 x load
- L3 = 3 x load + ground PE
- L4 = 4 x load + ground PE

e Load channels max. load current

- 0 = none
- 1 = 230 V / 16 A
- 2 = 230 V / 25 A
- 3 = 400 V / 10 A
- 4 = 400 V / 20 A

f Type of connection

- 0 = cable ³⁾

g Central lead-through

- 0 = none
- 1 = air connection 1/4"
- 2 = air connection 1/2"
- 3 = air connection 3/8"
- A = central bore, inside diameter 20 mm
- B = central bore, inside diameter 15 mm

h Protection rating

- 2 = IP64

i Version number (options)

- V100 = without options
- >V100 = options on request, e.g.:
 - > 20 channels
 - other types of mounting
 - other types of connection (cable, connector, ...)
 - hydraulics connection
 - protection level IP65
 - stainless-steel housing

1) Additional signal / data channels on request (option)
 e.g. C2 = CAN module expansion with 2 additional channels
 Connection lines for CAN and signal transmission separated on stator and rotor side.

2) Additional load channels on request (option).

3) Except Ethernet channel (M12 connector).

Slip rings

Three chamber system	Ethernet transmission	SR120
Connection technology		Order no.
Cordset, pre-assembled	M12 male connector with external thread, 4-pin 2 m [6.56'] PUR cable	05.00.6031.4411.002M
Connector, self-assembly (straight)	M12 male connector with external thread, 4-pin	05.WASCSY4S
Industrial Ethernet - cable	PUR electronic cable	05.00.6031.1111.XXXM ¹⁾

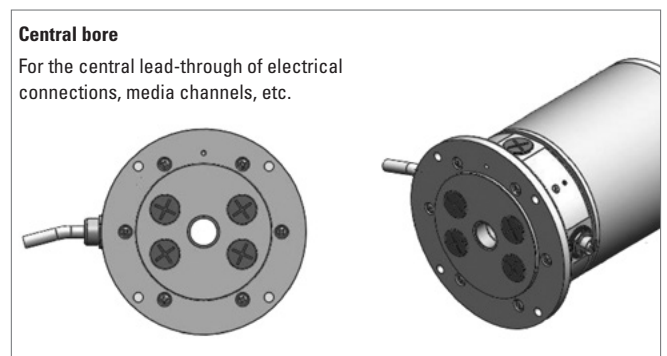
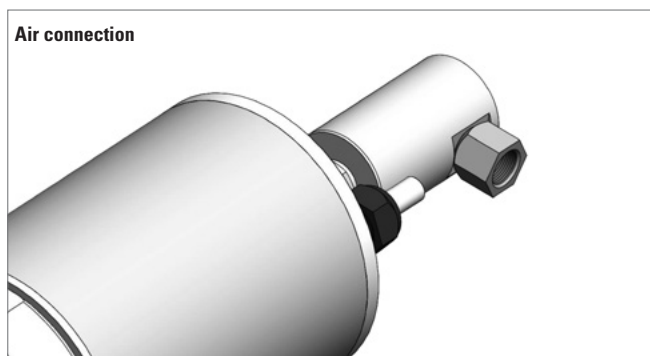
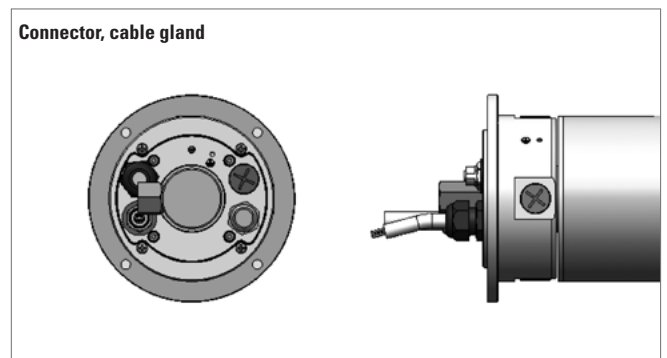
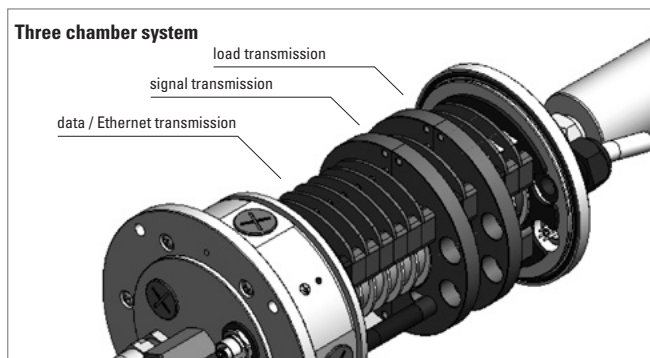
Additional connectors can be found in the connection technology section or in the connection technology area of our website at: www.kuebler.com/connection_technology.

Technical data			
Overall length	dep. on the number of transmission paths		
Type of connection (stator and rotor)	load	cable 2 m [6.56']	
	signal / data	cable 2 m [6.56']	
	Ethernet	M12 connector 4-pin, D coded	
Material pairing	load	copper / bronze	
	signal / data	silver / precious metal	
	Ethernet	silver / precious metal	
Voltage/current loading	load channels	order option 1	230 V AC/DC, max. 16 A, 50/60 Hz
		order option 2	230 V AC/DC, max. 25 A, 50/60 Hz
		order option 3	400 V AC/DC, max. 10 A, 50/60 Hz
		order option 4	400 V AC/DC, max. 20 A, 50/60 Hz
	signal channels		48 V AC/DC, max. 2 A
Contact resistance	load channels	≤ 1 Ohm (dynamic) ²⁾	
	signal / data channels	≤ 0,1 Ohm (silver / precious metal) ³⁾	
Insulation resistance	10 ³ MOhm, at 500 V DC		
Dielectric strength	1000 V eff. (60 sec.)		

Speed max. (signal / data channels)	300 min ⁻¹ (depends on installation position and numbers of channels)
Service life (signal / data channels)	typ. 500 million revolutions (at room temperature) depends on installation position
Maintenance cycles	maintenance free (if necessary all 100 million revolutions)
Maintenance	remove contact abrasion dust – do not use compressed air
Operating temperature	-35° ... +85°C [-31°F ... +185°F]
Protection acc. to EN 60529	max. IP64
Transmission paths	max. 20 (> 20 on request)

Air connection (media lead-through no. 1 - 3)	
Air pressure max.	10 bar (150 psi)
Vacuum max.	7 kPa (2" Hg)
Speed max.	300 min ⁻¹

Technology in detail



1) XXXX = cable length in meters (e.g. 10 m = 0010).
 2) Voltage measurement, ambient temperature, DC series connection, ohmic load, min. 4 A test current.
 3) 2-wire resistance measurement, ambient temperature, 6.5-digit digital multimeter or similar, values without testing cable.

Slip rings

Three chamber system	Ethernet transmission	SR120
-----------------------------	------------------------------	--------------

Terminal assignment

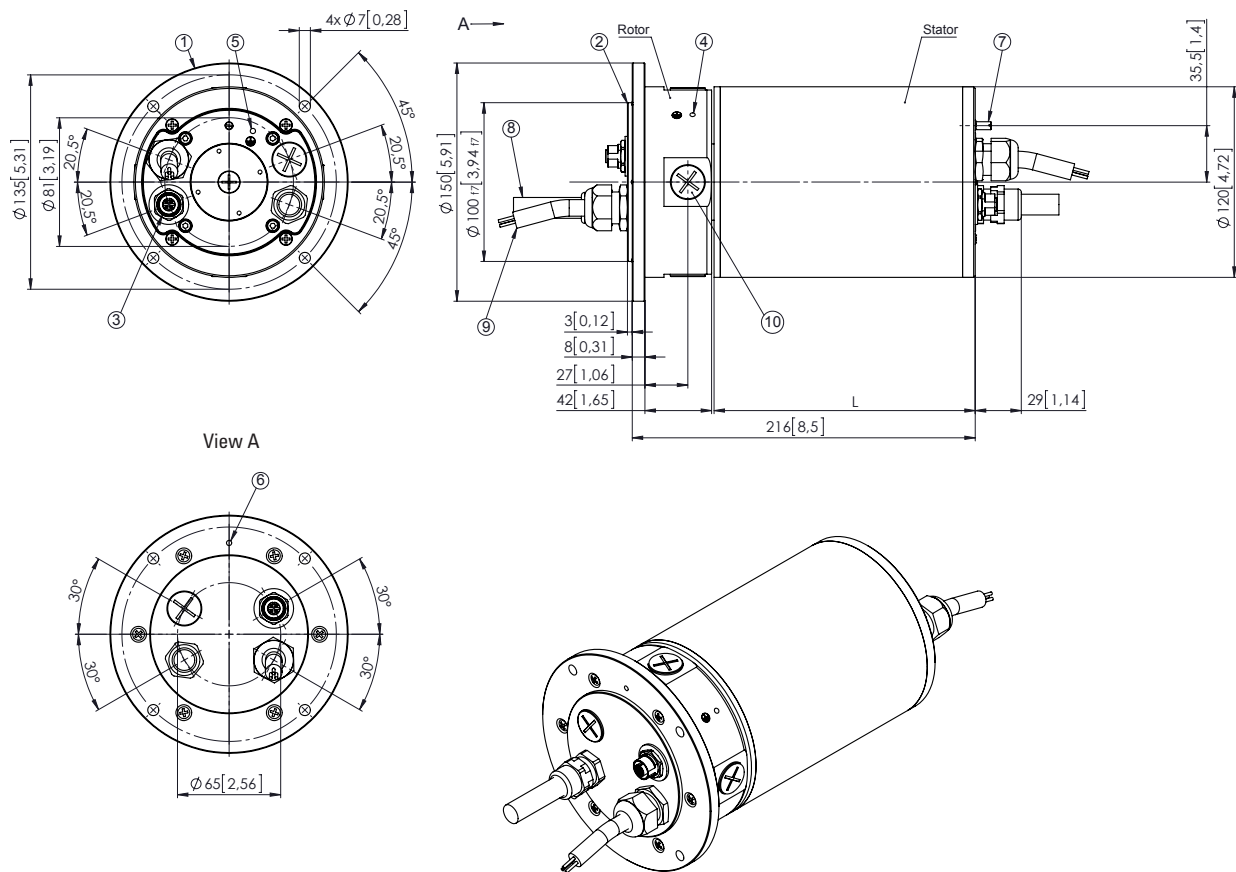
M12 connector, 4-pin					
Signal:	Transmit data +	Receive data +	Transmit data -	Receive data -	
Abbreviation:	TxD+	RxD+	TxD-	RxD-	
Pin:	1	2	3	4	

Dimensions

Dimensions in mm [inch]

Standard version

Example: Type SR120-02-01-02-03-2002-V100



- | | | |
|--|--|---|
| 1 – Mounting flange | 4 – Grounding PE (optional connectivity) | 8 – 2 m [6.56'] connecting cable for load transmission |
| 2 – Centering diameter | 5 – Grounding PE (optional connectivity) | 9 – 2 m [6.56'] connecting cable for signal transmission |
| 3 – M12 female connector (4-pin)
Ethernet (data transmission) (D-coded) | 6 – Grounding PE (optional connectivity) | 10 – Blind plug – depending on order code rotor
connections exit axially |
| | 7 – Anti-rotating-pin | |

Slip rings

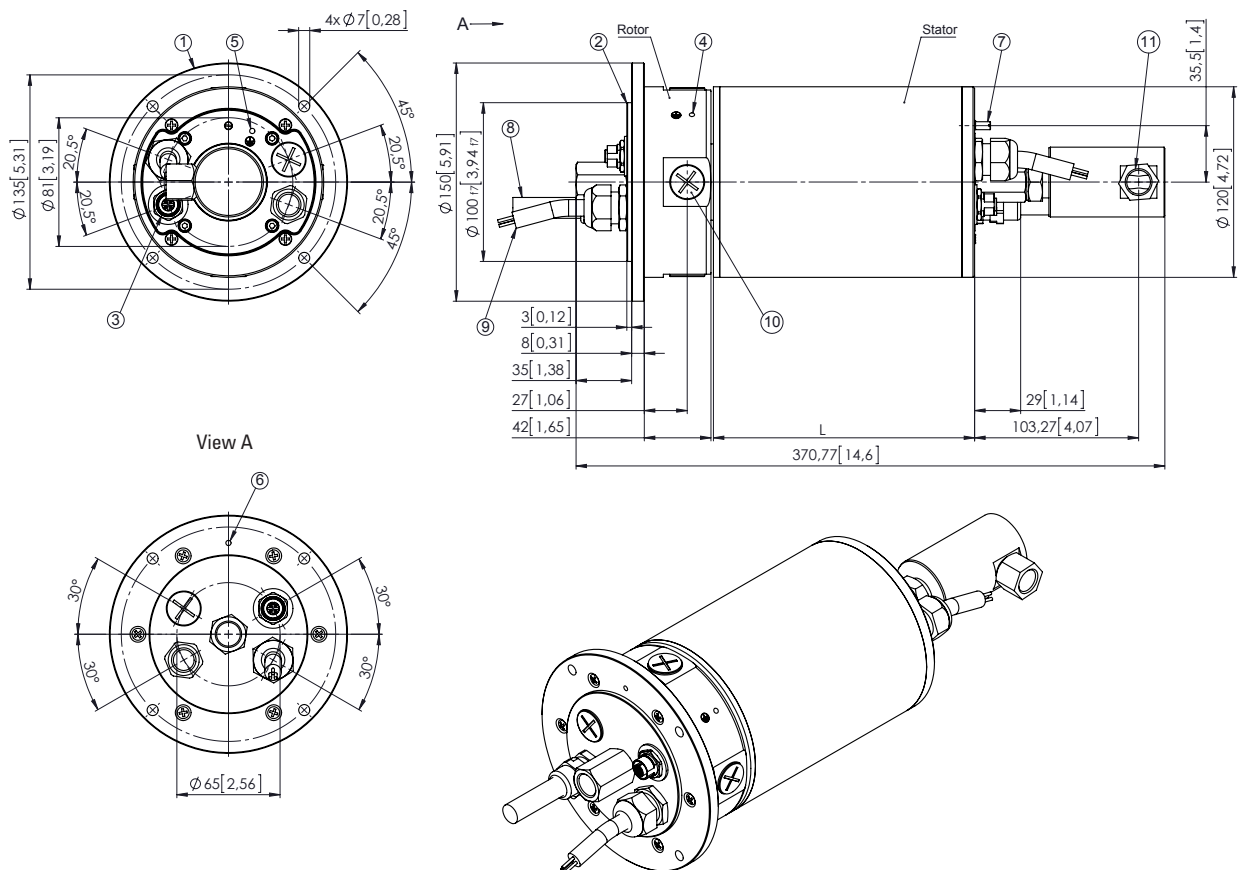
Three chamber system	Ethernet transmission	SR120
-----------------------------	------------------------------	--------------

Dimensions

Dimensions in mm [inch]

Version with media lead-through

Example: Type SR120-02-01-02-03-2032-V100



Slip rings

- | | | |
|--|---|---|
| <ul style="list-style-type: none"> 1 – Mounting flange 2 – Centering diameter 3 – M12 female connector (4-pin)
Ethernet (data transmission) (D-coded) | <ul style="list-style-type: none"> 4 – Grounding PE (optional connectivity) 5 – Grounding PE (optional connectivity) 6 – Grounding PE (optional connectivity) 7 – Anti-rotating-pin | <ul style="list-style-type: none"> 8 – 2 m [6.56'] connecting cable for load transmission 9 – 2 m [6.56'] connecting cable for signal transmission 10 – Blind plug – depending on order code rotor connections exit axially 11 – Media lead-through – depending on order code connection thread G 1/2, G 1/4, G 3/8 |
|--|---|---|



TDS Precision Products GmbH
 Industriestrasse 1a
 CH-8157 Dielsdorf
 T + 41 44 885 30 80
 info@tds-pp.com
 www.tds-pp.com