

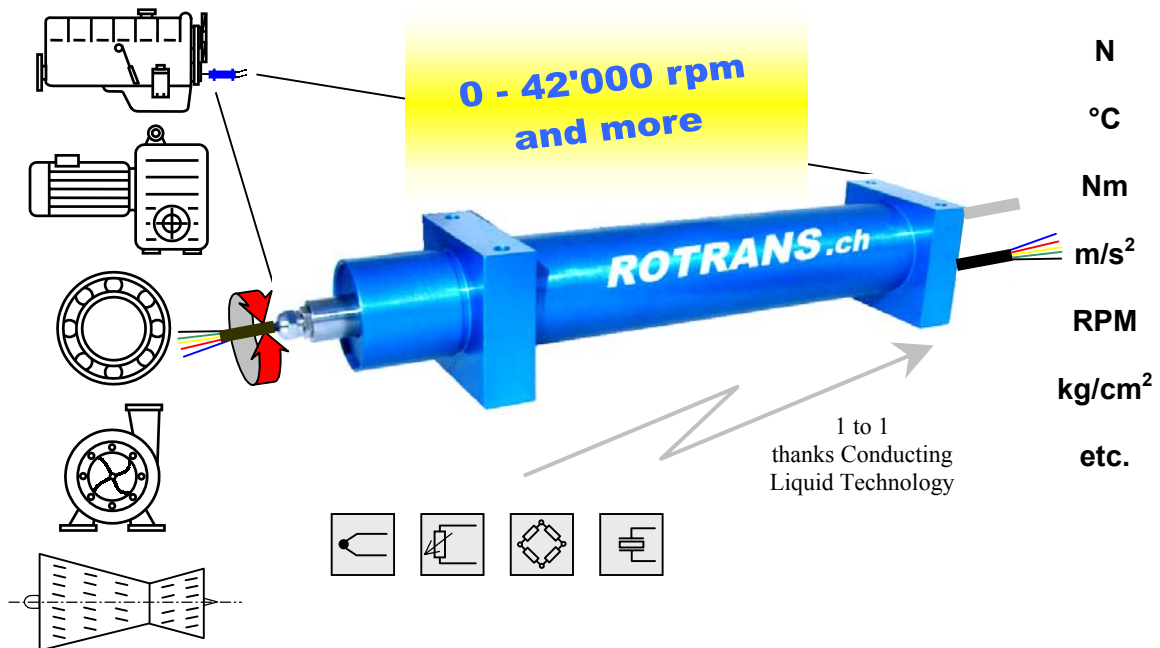
ROTRANS™

Rotary signal transmitters

SWISS MADE

→ R & D

 → Labo



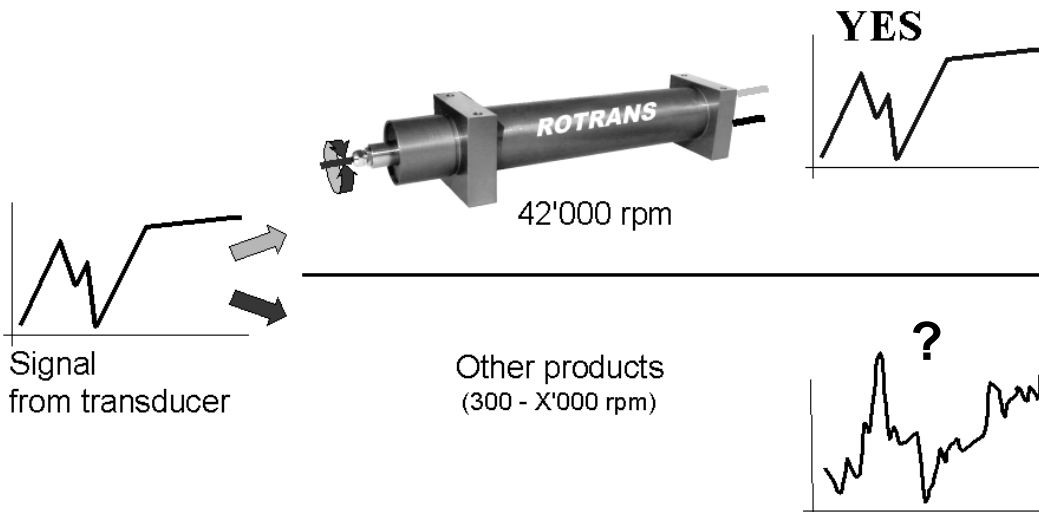
- 42'000 rpm
- $\Delta R_{(0-20'000rpm)} : 0,25 \text{ m}\Omega$
- 4, 8 or 12 channels (wires)
- Very low inertia
- Integrated speed pick-up (Optional)
- IP 51 (IP 68)
- Slipringless
- Arc-free
- 18, 24, 30 channels (wires) (separate datasheet)

The Rotational Transmitter **ROTRANS** has been designed for transmitting signals from the inside of a rotating system to an external Signal Processing Device. In parallel **ROTRANS** is able to transmit supplying energy into the rotating system.

One of the most significant features of **ROTRANS** is the unique electric conductivity, which allows reliable and distortionfree transmission of measurement signals. Due to the sophisticated design the device can be operated with extremely low noises and wear-resistant. **ROTRANS** will not be affected by magnetic fields and is easy to operate. Even because of the low space consumption and high precision performance and long lifetime, **ROTRANS** is the ideal partner for Research and Development.

Please let us know your specific needs. We are looking forward to discussing your application with you !

HIGH FIDELITY TRANSMISSION ?



ROTRANS is in conformity with RoHS and WEEE directive.

Description

The rotary transmitters **ROTRANS** from **Jordil Technic** could be used to transmit excitation power to these devices in addition to transmitting the measuring signal from them.

ROTRANS help you to:

- Improve the products **performances**
- Improve the product **reliability**
- Reduce the production **costs**

The input and output cables are screened to be protected against electromagnetic disturbances.

ROTRANS is in conformity with RoHS and WEEE directive.

They are exceptionally well suited for the transmission of electrical signals from :

- Thermocouples
- Strain-gauges
- Oscillation pick-ups
- Accelerometers
- Pressure transducers
- Etc.

In addition to that, the **ROTRANS** as an **integrated speed pick-up**, as option.

The use of **ROTRANS** is easy like a cable, without keyboard, without parameters and without power supply or batteries.

Performances

It is with a concept using high-tech added components from high quality level that users can benefit from so interesting characteristics.

The speed range up to 42'000 min⁻¹ can reach higher speed according conditions.

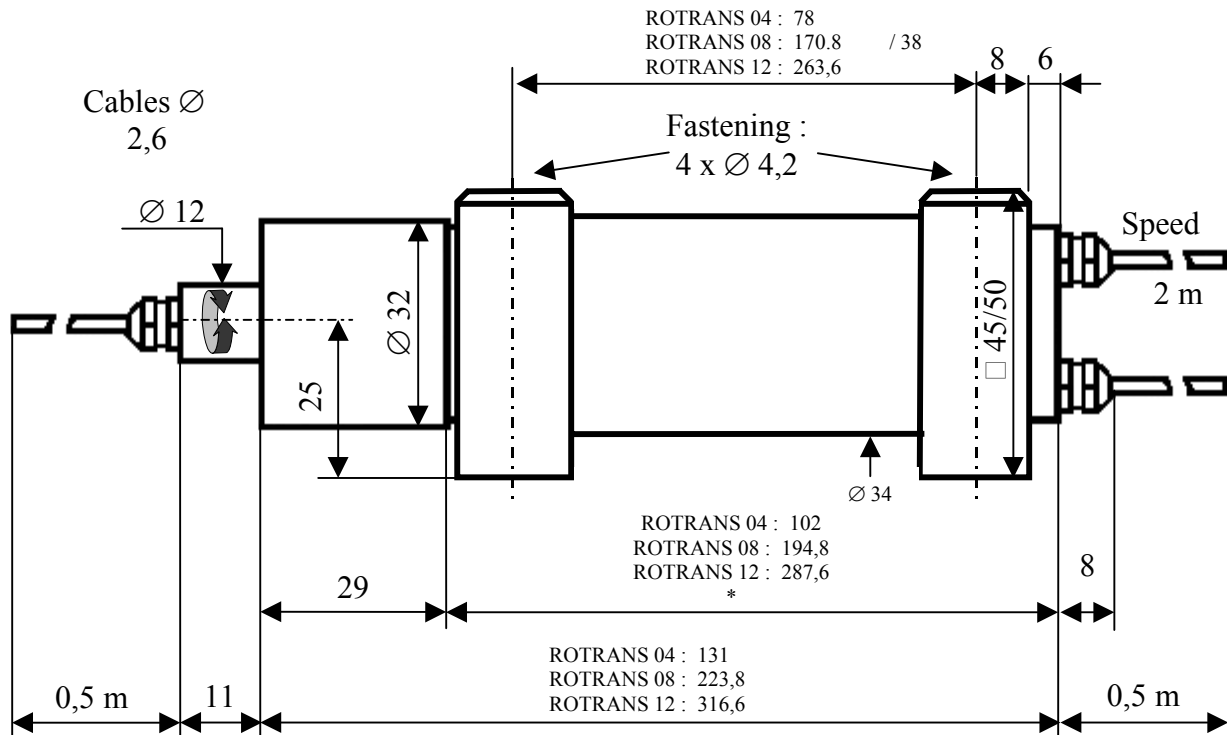
ROTRANS is an arc-free transmitter.

Like you see, **ROTRANS** is superior to all rotary transmitters using rings, sliprings, brushes and similar devices.

The Continuous Product Improvement (CPI) by design, production, assembly and services is one of our main task.

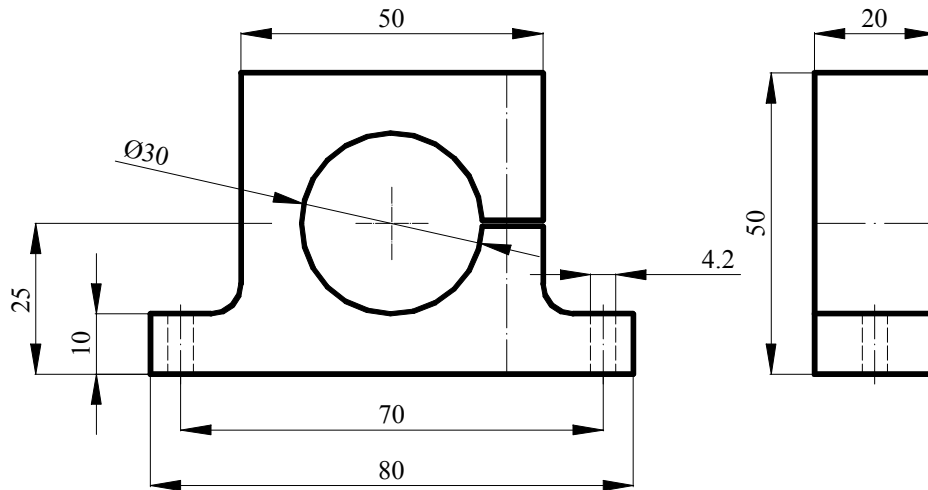
ROTRANS: Easy to use and reliable
just like a cable

Dimensions (mm)



Technical data

Speed ranges	42'000 min ⁻¹
Number of channels	4, 8 or 12 wires, other on request
Conductibility	Between 0 and 20'000 min ⁻¹ , for 2 cells in series, 0,5 m Ω resistance variation
Insulation resistance	More than 2 x 10 ⁸ Ω for two adjacent cells
Load voltage	75 V DC or 50 V AC between two cells or between cell and transmitter housing (more on request)
Load current	Maximum 0,3 A per cell, 0,4 A if only 1 cell (more on request)
IP Specification	IP 51, (available : IP 68)
Temperature range	- 25 to + 60 °C (for other temperature, please contact us)
Connections (In/Out)	Cable for input and output : 0,5 m, screened
Cable temperature	< 70 °C; without external black insulation : 200 °C
Inertia	04: 1,52 ^{E-6} kgm ² , 08: 1,57 ^{E-6} kgm ² , 12: 1,61 ^{E-6} kgm ²
Speed pick-up output (optional)	4'200 Hz for 42'000 min ⁻¹ ; supply : 10 - 30 VDC, output : $\sim U_{alim} - 2VDC$, I \leq 100 mA, 6 impulses / round
Weight	04 : 480g, 04-R : 400g, 08 : 800g, 08-R : 600g, 12 : 1100g, 12-R : 800g



Bracket : 100-100 for (-R) Type

Ordering information

* With (-R) after Type and PN, this part is cylindrical : $\varnothing 30$


Type	Description	PN
ROTRANS 04	4 Channels rotary signal transmitter	104 - 000
ROTRANS 04 SM	4 Channels rotary signal transmitter, with integrated speed pick-up	104 - 000 - SM
ROTRANS 08	8 Channels rotary signal transmitter	108 - 000
ROTRANS 08 SM	8 Channels rotary signal transmitter, with integrated speed pick-up	108 - 000 - SM
ROTRANS 12	12 Channels rotary signal transmitter	112 - 000
ROTRANS 12 SM	12 Channels rotary signal transmitter, with integrated speed pick-up	112 - 000 - SM
ROTRANS 18-30	18, 24, 30 Channels (separate datasheet)	
ROTRANS-W	Wheel mounting, automotive or industry (separate datasheet)	

Accessories

Bracket	1 Pair of mounting brackets for ROTRANS type -R (necessary to meet ROTRANS mounting requirements)	100 - 100
Coupling	Flexible coupling (separate datasheet)	
Encoder	By ROTRANS axle mounted (separate datasheet)	

Servicing

Servicing	Rotary signal transmitters. All types and all marks.	On offer
-----------	--	----------

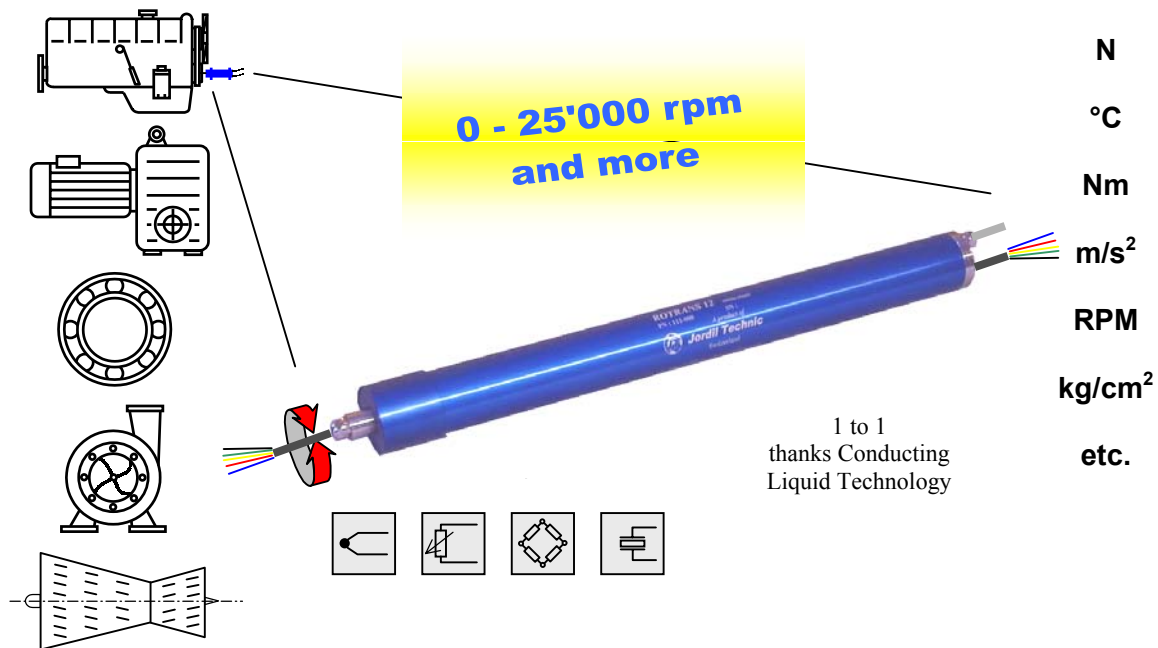
 Due to the continual development of our products, the specification may be modified without forewarning.

ROTRANS

Rotary signal transmitters

SWISS MADE

➔ R & D
 ➔ Labo



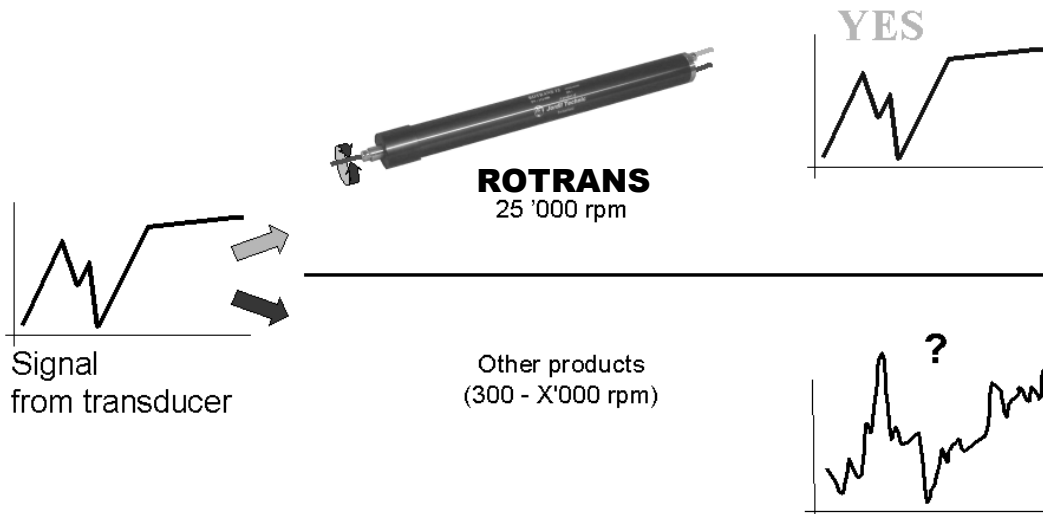
- 18, 24, 30 channels (wires)
- 0 - 25'000 min⁻¹ and more
- $\Delta R_{(0-10'000rpm)} : 0,15 \text{ m}\Omega$
- Very low inertia
- Integrated speed pick-up (Optional)
- IP 51 (IP 68)
- Slippingless
- Arc-free
- 4, 8, 12 channels (wires) (separate datasheet)

The Rotational Transmitter **ROTRANS** has been designed for transmitting signals from the inside of a rotating system to an external Signal Processing Device. In parallel **ROTRANS** is able to transmit supplying energy into the rotating system.

One of the most significant features of **ROTRANS** is the unique electric conductivity which allows reliable and distortionfree transmission of electric signals. Due to the sophisticated design the device can be operated with extremely low noises and wear-resistant. ROTRANS will not be affected by magnetic fields and is easy to operate. Even because of the low space consumption and high precision performance **ROTRANS** is the ideal partner for Research and Development.

Please let us know your specific needs. We are looking forward to discussing your application with you !

HIGH FIDELITY TRANSMISSION ?



Description

The rotary transmitters **ROTRANS** from **Jordil Technic** could be used to transmit excitation power to these devices in addition to transmitting the measuring signal from them.

ROTRANS help you to:

- Improve the products **performances**
- Improve the product **reliability**
- Reduce the production **costs**

The input and output cables are screened to be protected against electromagnetic disturbances.

ROTRANS is in conformity with RoHS and WEEE directive.

Performances

It is with a concept using high-tech added components from high quality level that users can benefit from so interesting characteristics.

The speed range up to 25'000 min⁻¹ can reach higher speed according conditions.

ROTRANS is an arc-free transmitter.

They are exceptionally well suited for the transmission of electrical signals from :

- Thermocouples
- Strain-gauges
- Oscillation pick-ups
- Accelerometers
- Pressure transducers
- Etc.

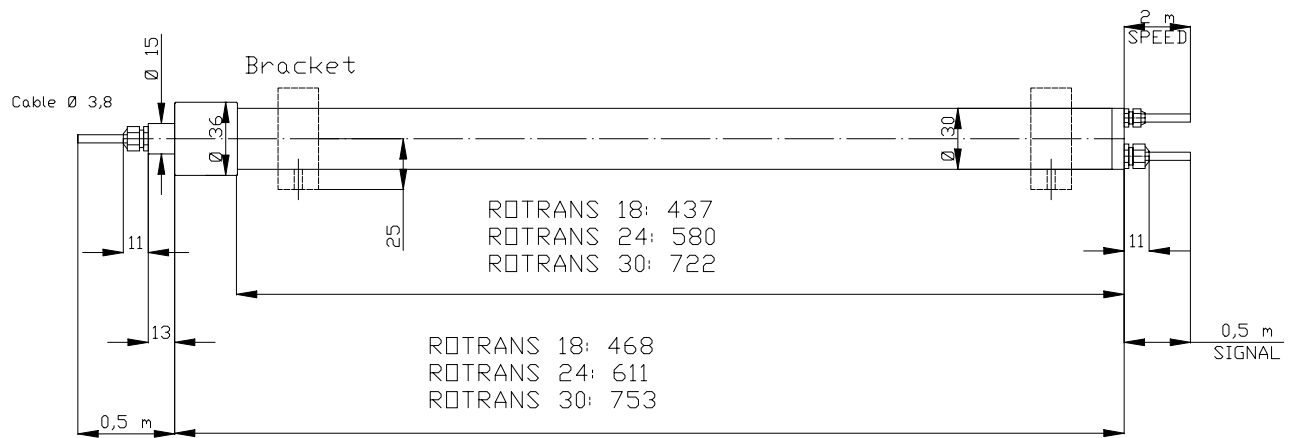
In addition to that, the **ROTRANS** as an **integrated speed pick-up**, as option.

The use of **ROTRANS** is easy like a cable, without keyboard, without parameters and without power supply or batteries.

Like you see, **ROTRANS** is superior to all rotary transmitters using rings, sliprings, brushes and similar devices.

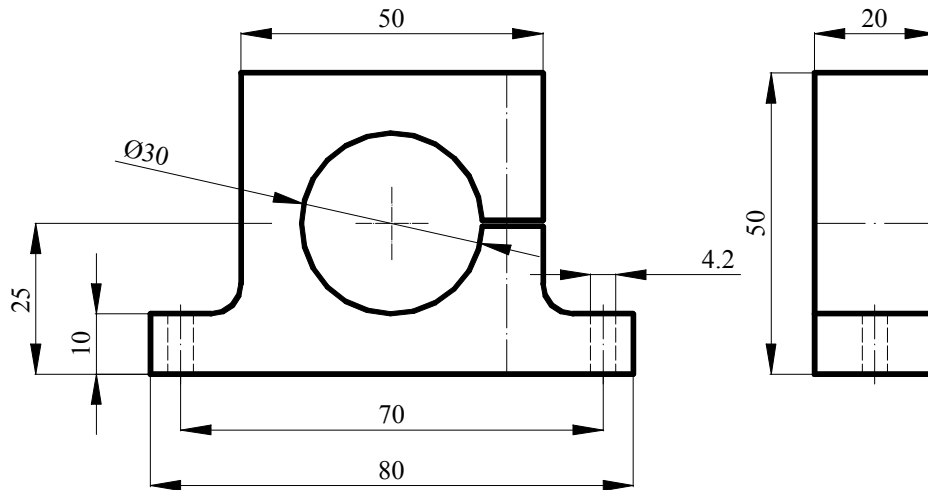
The Continuous Product Improvement (CPI) by design, production, assembly and services is one of our main task.

Dimensions (mm)



Technical data


Speed ranges	0 - 25'000 min ⁻¹
Number of channels	18, 24 or 30, other on request
Conductibility	Between 0 and 14'000 min ⁻¹ , for 2 cells in series, 0,5 mΩ resistance variation
Insulation resistance	More than 2 x 10 ⁸ Ω for two adjacent cells
Load current	Maximum 0,3 A per cell, 0,4 A if only 1 cell (more on request)
Load voltage	75 V DC or 50 V AC between two cells or between cell and transmitter housing (more on request)
IP Specification	IP 51, (available : IP 68)
Temperature range	- 25 to + 60 °C (for other Temperature, please contact us)
Connections (In/Out)	Cable for input and output : 0,5 m, screened
Cable temperature	< 70 °C; without external black insulation : 200 °C
Speed pick-up output (optional)	4'200 Hz for 42'000 min ⁻¹ ; supply : 10 - 30 VDC, output : ~ U _{supply} - 2VDC, I ≤ 100 mA, 6 impulses / round



Bracket : 100-100

Ordering information

Type	Description	PN
ROTRANS 18-R	18 Channels rotary signal transmitter	118 - 000
ROTRANS 18-R-SM	18 Channels rotary signal transmitter, with integrated speed pick-up	118 - 000 - SM
ROTRANS 24-R	24 Channels rotary signal transmitter	124 - 000
ROTRANS 24-R-SM	24 Channels rotary signal transmitter, with integrated speed pick-up	124 - 000 - SM
ROTRANS 30-R	30 Channels rotary signal transmitter	130 - 000
ROTRANS 30-R-SM	30 Channels rotary signal transmitter, with integrated speed pick-up	130 - 000 - SM
ROTRANS 4, 8, 12	ROTRANS 4, 8, 12 Channels, up to 42'000 rpm (separate datasheet)	
ROTRANS-W	Wheel mounting, automotive industry (separate datasheet)	
Accessories		
Bracket	1 Pair of mounting brackets for ROTRANS (necessary to meet ROTRANS mounting requirements)	100 - 100
Coupling	Flexible coupling (separate datasheet)	
Encoder	By ROTRANS axle mounted (separate datasheet)	
Servicing		
Servicing	Rotary signal transmitters. All types and all marks.	On offer

 Due to the continual development of our products, the specification may be modified without forewarning.