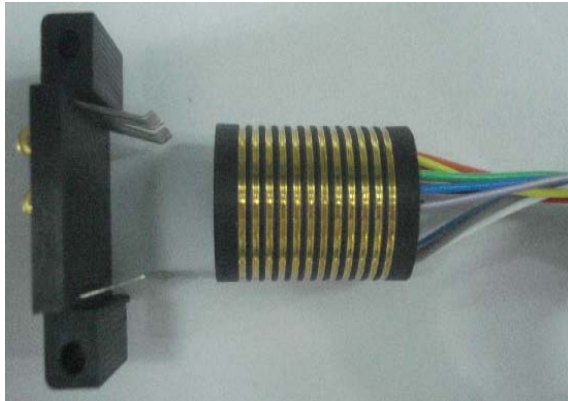


Separate Slip Ring



Main Application

- ◆ Electrical test equipment
- ◆ Manufacturing and process control equipment
- ◆ Indexing tables
- ◆ CCTV pan / tilt camera mounts
- ◆ Robotics, rotary sensors, urgent illumination equipment
- ◆ Exhibit / display equipment
- ◆ Medical equipment
- ◆ Aviation ,military, instrument
- ◆ Mini-type wire-rolling machine
- ◆ Custom Machinery
- ◆ OEM Machinery

Contact us to discuss your special needs

LPS-12A-Rotor LPS-12B- Stator Separate Slip Ring Description

This unit can be used in any electromechanical system that requires unrestrained, continuous rotation while transferring power or data from a stationary to a rotating structure.

It is also called a rotary electrical interface, commutator, collector, swivel or an electrical rotary joint. It can improve electromechanically capability, simplify system design, eliminate possible damage while rotation. It's the key apparatus of various precision rotary worktable, electric test instrument, manufacture and process control instrument.

The LPS-12 separate slip ring is a standard, off-the-shelf unit that uses gold contacts at the rotary interface. Color-coded lead wires are used on both the stator and rotor for simplifying electrical connections.

Using a 90° V-groove ring design for each ring, the LPS-12 provides smoother running, lower torque and lower electrical noise than competitive slip rings.

Features

- ◆ 12 circuits models
- ◆ Speed up to 300 rpm continuous
- ◆ Gold-Gold contacts
- ◆ 250mm standard lead length
- ◆ Compatible with data bus protocols
- ◆ Sealed units are available
- ◆ Flexible, color-coded, silver-plated, Teflon® UL lead wires
- ◆ Precision ball bearings meet or exceed life requirements for most commercial applications

Advantage

- ◆ Low torque minimizes system torque budget
- ◆ Compact design to fit in the most demanding space.
- ◆ Smooth running
- ◆ Low electrical noise
- ◆ Quick shipment per your urgent requirement
- ◆ 360° continuous rotation
- ◆ High bandwidth transfer capability

Separate Slip Ring

Specifications

Operating Speed	0-100 rpm
Number of Circuits	12
Voltage	240 VAC/DC
Current Rating	1-3A
Temperature Range	-20°C to +60°C
Working Humidity	60%RH or higher
Contact Material	Gold to Gold
Lead Size	28 # silver plated copper Teflon [®] UL
Lead Length	Standard 250 mm (9.843inch)
Dielectric Strength	≥500 VAC @50Hz, between each circuit
Body Material	Precious metal
Insulation Resistance	1000 M Ω @ 500 VDC
Electrical Noise	1 m Ω Min

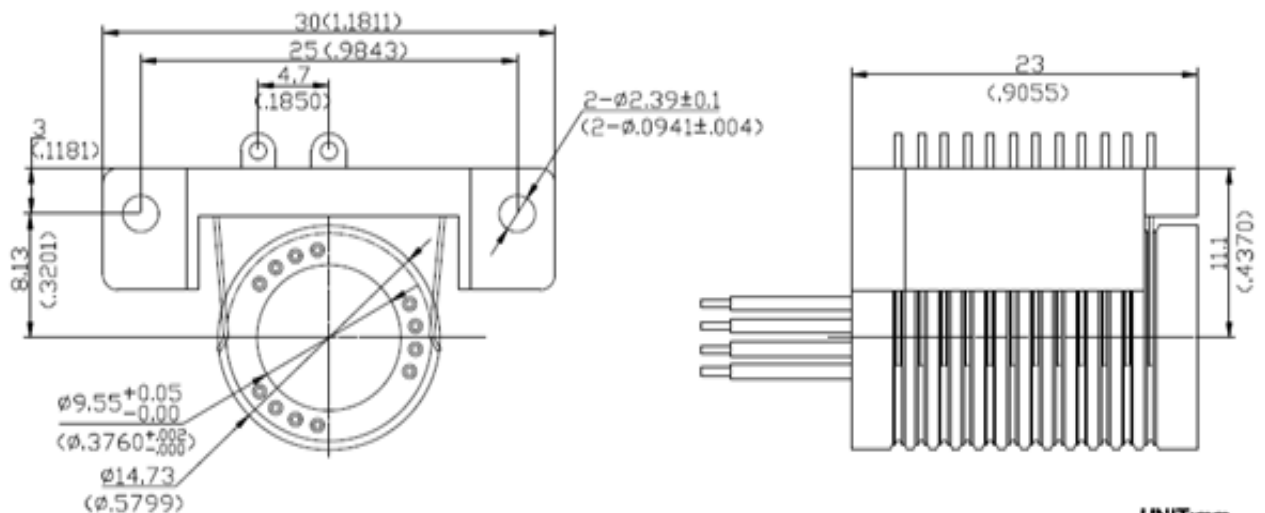
Separate Slip Ring

# of Circuits	OD (mm)	Part No
12	Φ 14.73	LPS-12

Lead Wire Color Codes

Ring# Color Code	Ring# Color Code
#1 BLK	#7 BLU
#2 BRN	#8 PUR
#3 RED	#9 GRY
#4 ORN	#10 WHT
#5 YEL	#11 PINK
#6 GRN	#12 WIT-BLU

- ◆ The operating life of the unit depends upon temperature, rotation speed and environment.
- ◆ The operating life \geq 50,000,000 runs ref.



UNIT:mm
()UNIT:inch



TDS Precision Products GmbH
Industriestrasse 1a
CH-8157 Dielsdorf

T + 41 44 885 30 80
info@tds-pp.com
www.tds-pp.com