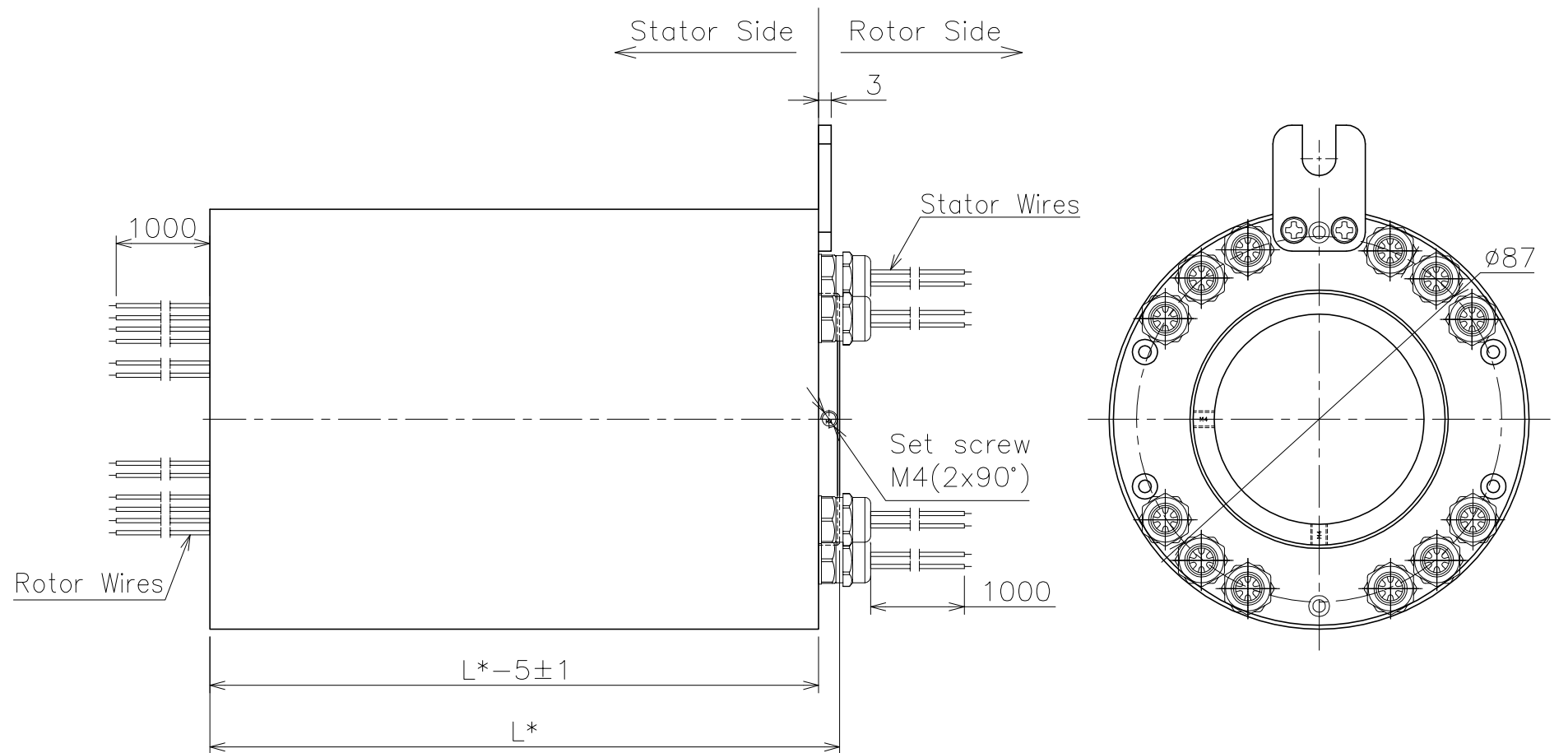
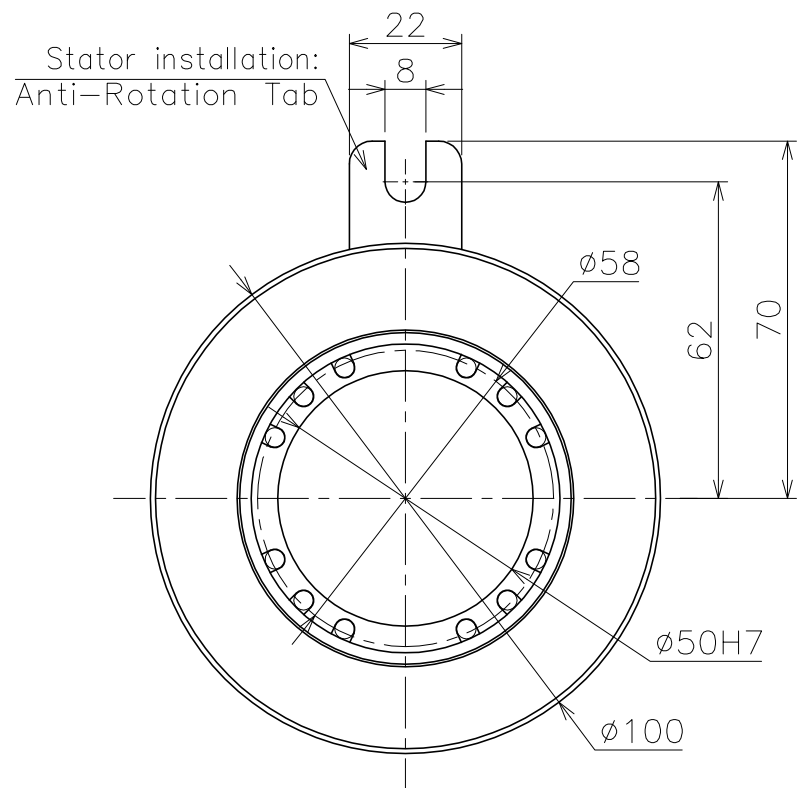


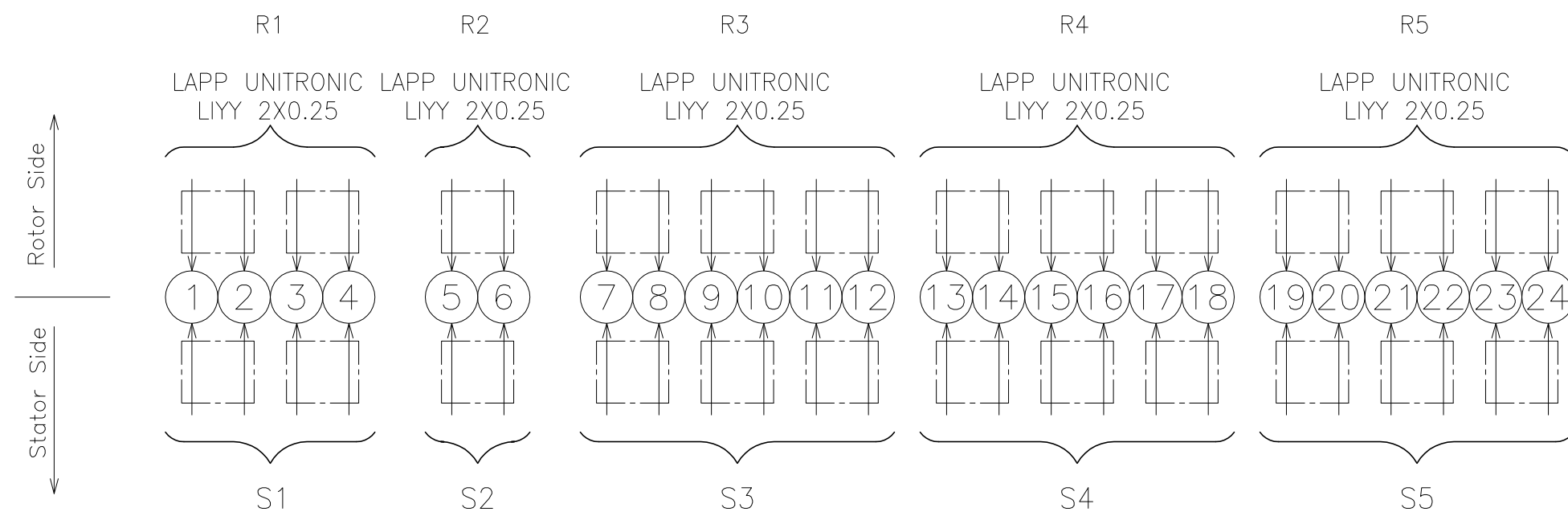
MARK	CONTENT OF AMENDMENT	DATE	DRAW



Number of rings	4	6	12	18	24
Signal(L*)	49.8	59.8	89.8	119.8	149.8

MODEL	SPT050-100					
Customer code				TITLE	Outline Drawing	
UNIT	mm	TOL UNLESS SPECIFIED LINEAR 0--18 ±0.1 >18--80 ±0.15 >80--250 ±0.2 ANGLE x' ±0.5'	DESIGN	ZGP	DATE	2019.04.09
SCALE	1:1		CHECKED	LML	DATE	2019.04.09
PROJ.			REV.	A0	PAGE	1/2

MARK	CONTENT OF AMENDMENT	DATE	DRAW

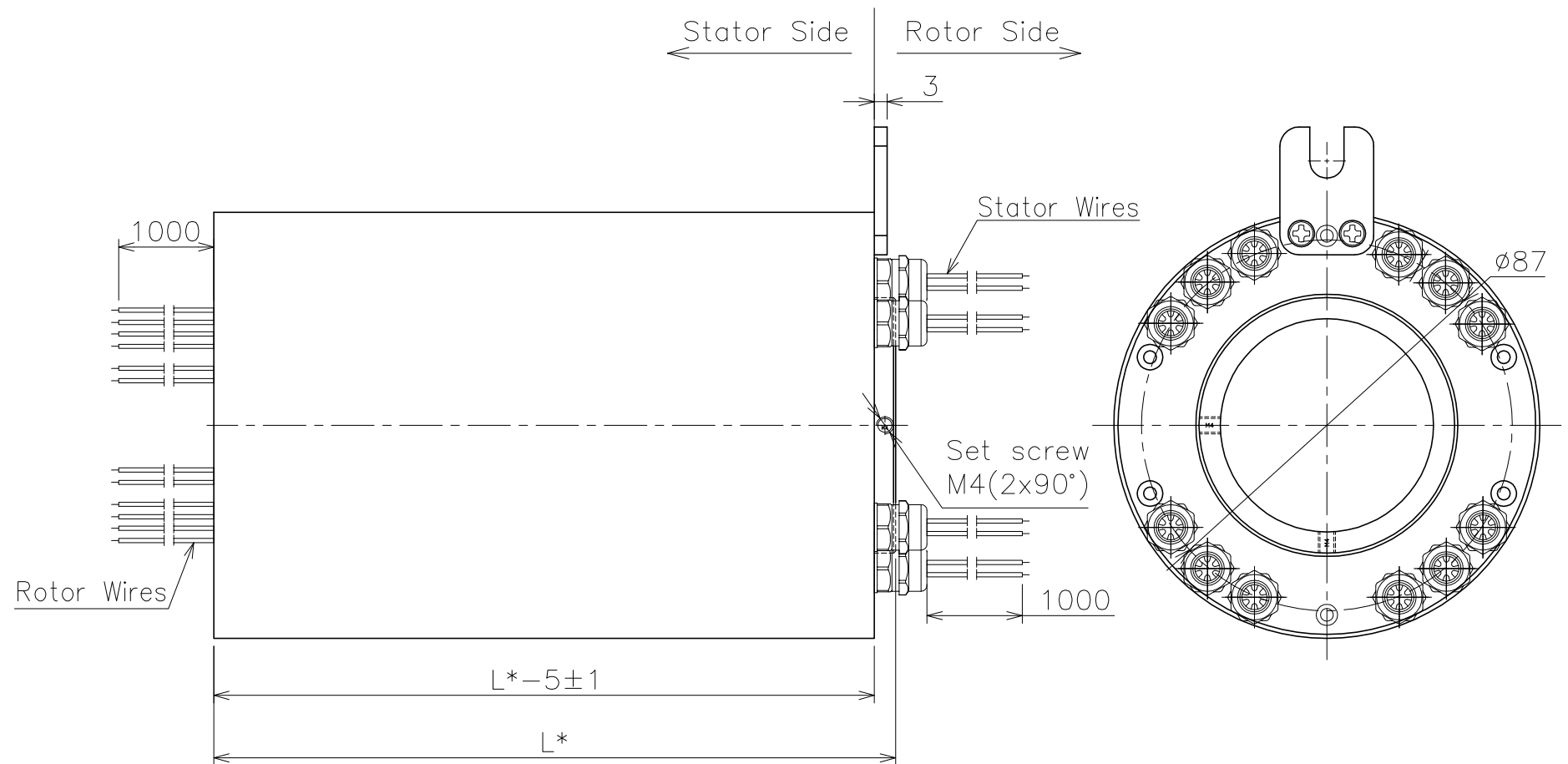
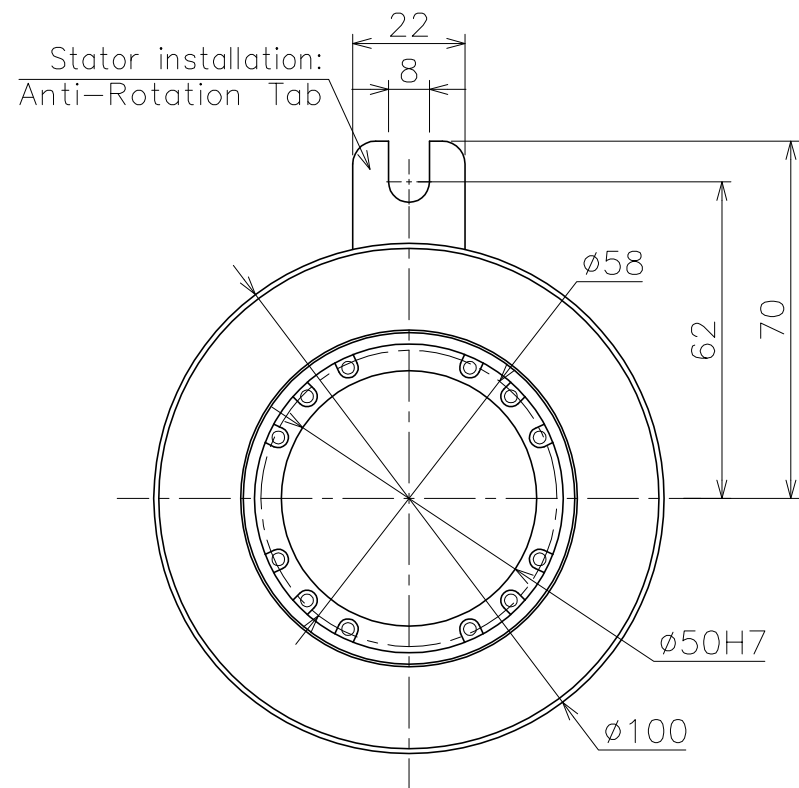


Number of rings	4	6	12	18	24
Circuit	R1 S1	R1~R2 S1~S2	R1~R3 S1~S3	R1~R4 S1~S4	R1~R5 S1~S5

Note:
Corresponding Ring must be set on the corresponding number.

Electronic & Electric		Mechanical		MODEL	SPT050-100				
Circuits	Total	24 CKT	Working Speed		0~300rpm				
	Detail	24x3A	Inner Diameter	ø50mm					
Rating Voltage		240VAC/DC	Contact Material	Fiber Brush					
Dielectric Strength		500VAC@50Hz	Housing Material	Aluminum Alloy					
Insulation Resistance		≥1000MΩ@500VDC	Lead Wire Length	Stator:1000mm Rotor:1000mm					
Environment		Remarks		Customer code	TITLE	Wiring Diagram			
Working Temperature	-20°C~+80°C	Application	/		UNIT	mm	DESIGN	ZGP	DATE
Working Humidity	≤60%RH	Other	/	SCALE	1:1	CHECKED	LML	DATE	2019.04.09
IP	IP54	Note: "P" stands for power, "S" stands for signal.		PROJ.		REV.	A0	PAGE	2/2

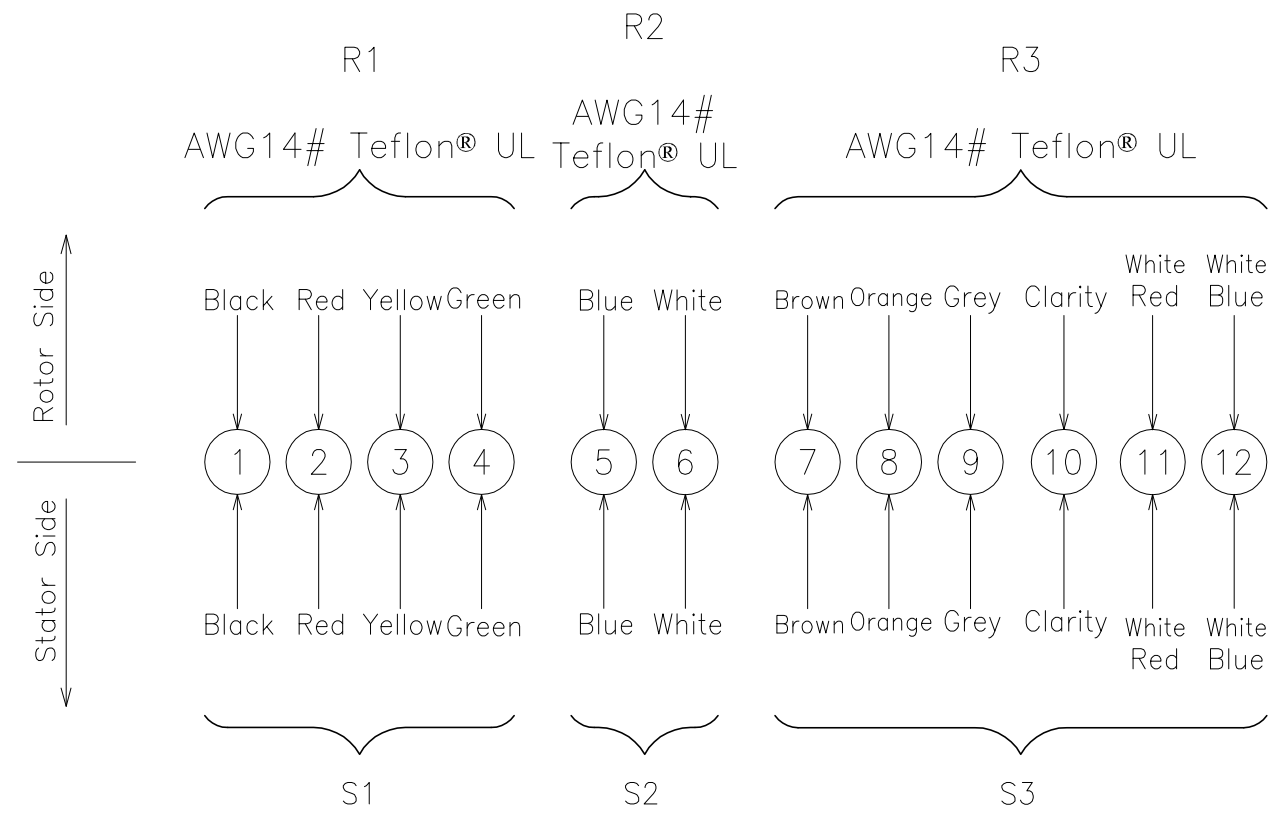
MARK	CONTENT OF AMENDMENT	DATE	DRAW



Number of rings	4	6	12	18	24
Power(L*)	84.8	119.8	159.8	-	-

MODEL	SPT050-100					
Customer code				TITLE	Outline Drawing	
UNIT	mm	TOL UNLESS SPECIFIED LINEAR 0--18 ±0.1 >18--80 ±0.15 >80--250 ±0.2 ANGLE x' ±0.5'	DESIGN	ZGP	DATE	2019.04.09
SCALE	1:1		CHECKED	LML	DATE	2019.04.09
PROJ.			REV.	A0	PAGE	1/2

MARK	CONTENT OF AMENDMENT	DATE	DRAW



Number of rings	4	6	12	18	24
Circuit	R1 S1	R1~R2 S1~S2	R1~R3 S1~S3	/	/

Electronic & Electric			Mechanical		MODEL	SPT050-100					
Circuits	Total	12 CKT	Working Speed	0~300rpm		Customer code	TITLE	Wiring Diagram			
	Detail	12x16A	Inner Diameter	∅50mm	DESIGN			ZGP	DATE	2019.04.09	
Rating Voltage		400VAC	Contact Material	Fiber Brush	UNIT	mm	TOL UNLESS SPECIFIED LINEAR 0--18 ±0.1 >18--80 ±0.15 >80--250 ±0.2 ANGLE x' ±0.5°	CHECKED	LML	DATE	2019.04.09
Dielectric Strength		500VAC@50Hz	Housing Material	Aluminum Alloy	SCALE	1:1		REV.	A0	PAGE	2/2
Insulation Resistance		≥1000MΩ@500VDC	Lead Wire Length	Stator:1000mm Rotor:1000mm	PROJ.						
Environment			Remarks								
Working Temperature		-20°C~+80°C	Application	/							
Working Humidity		≤60%RH	Other	/							
IP		IP54	Note: "P" stands for power, "S" stands for signal.								