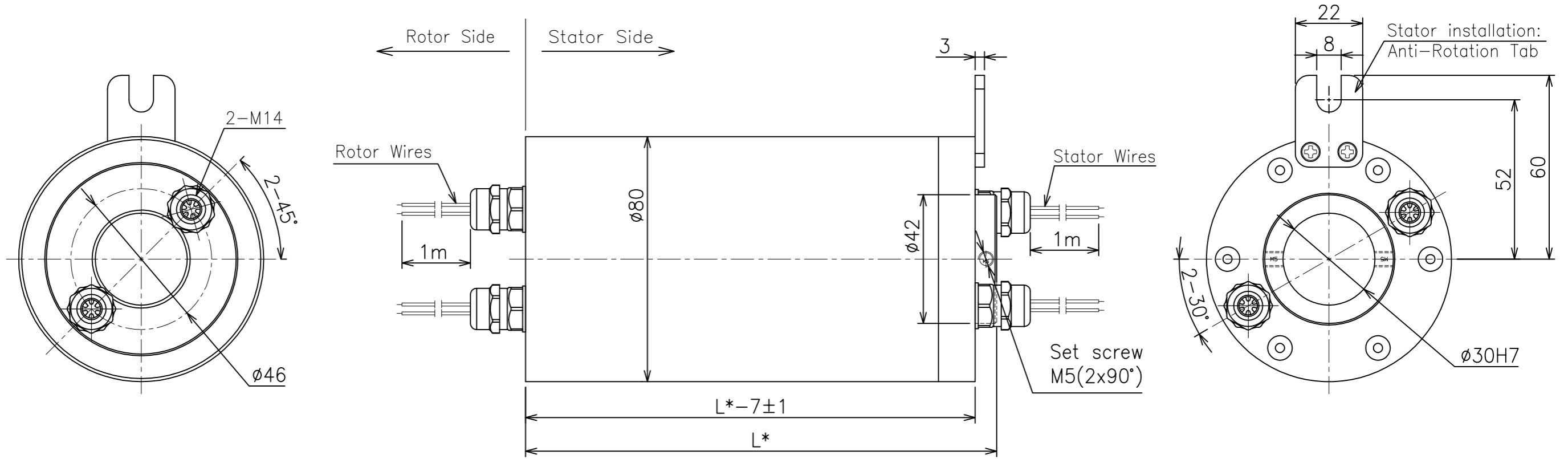


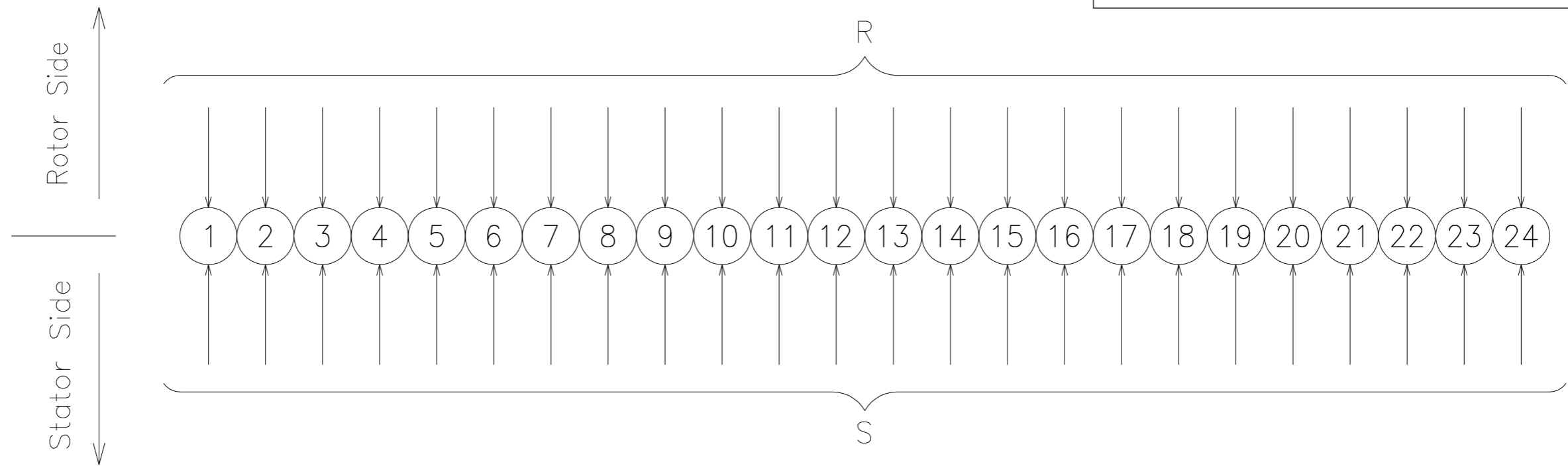
| MARK | CONTENT OF AMENDMENT | DATE | DRAW |
|------|----------------------|------|------|
| | | | |
| | | | |
| | | | |



| | | | | | | | | |
|-----------------|------|---|------|------|---|------|-------|-------|
| Number of rings | 2 | 3 | 4 | 6 | 9 | 12 | 18 | 24 |
| Signal(L*) | 47.8 | - | 53.8 | 63.8 | - | 83.8 | 113.8 | 153.8 |

| | | | | | | | |
|---------------|------------|---|---------|-------|-----------------|------------|--|
| MODEL | SPT030-080 | | | | | | |
| Customer code | | | | TITLE | Outline Drawing | | |
| UNIT | mm | TOL UNLESS SPECIFIED LINEAR 0--18 ±0.1 >18--80 ±0.15 >80--250 ±0.2 ANGLE x' ±0.5' | DESIGN | CFP | DATE | 2019.04.02 | |
| SCALE | 1:1 | | CHECKED | LML | DATE | 2019.04.02 | |
| PROJ. | | | REV. | A0 | PAGE | 1/2 | |

| MARK | CONTENT OF AMENDMENT | DATE | DRAW |
|------|----------------------|------|------|
| | | | |
| | | | |
| | | | |



| | | | | | | |
|-----------------|-----------------|-----------------|-----------------|------------------|------------------|------------------|
| Number of rings | 2 | 4 | 6 | 12 | 18 | 24 |
| Circuit | Ring1~ Ring2 | Ring1~ Ring4 | Ring1~ Ring6 | Ring1~ Ring12 | Ring1~ Ring18 | Ring1~ Ring24 |
| Type of line | Two core | Four core | Six core | 2*Six core | 3*Six core | 2*Twelve core |

Color:

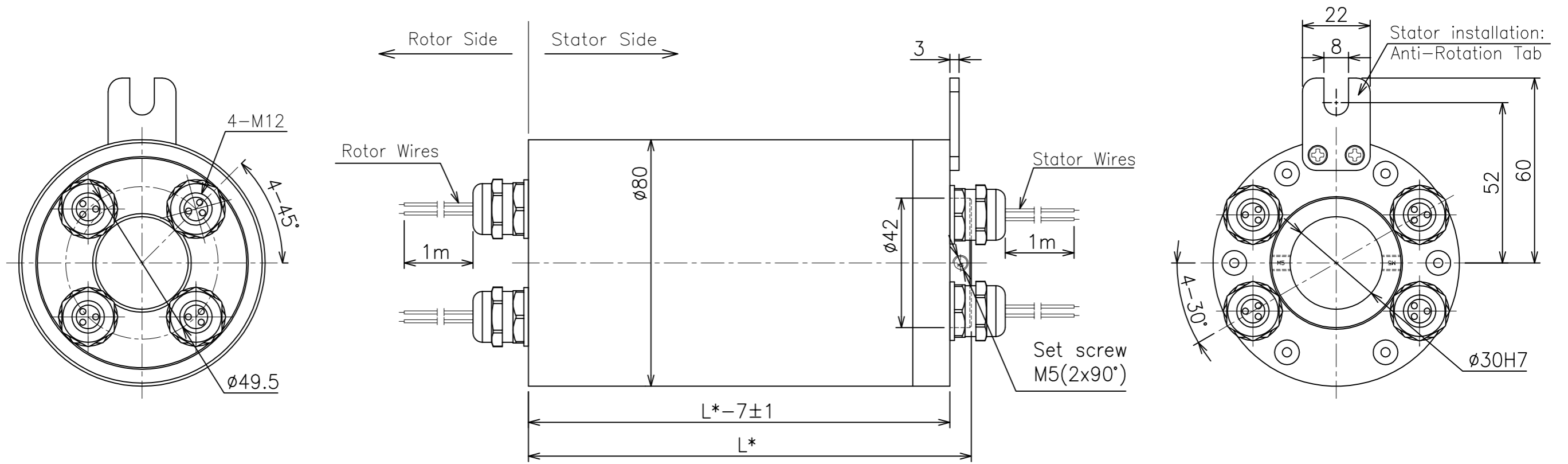
Two core wire: white, brown.
 Four core wire: white, brown, green, yellow.
 Six core wire: white, brown, green, yellow, gray, powder.
 Twelve-core wire: white, brown, green, yellow, gray, pink, blue, red, black, purple, gray powder, red and blue.

Note:

Number of rings 2/4/6 corresponds ring covered with the corresponding number tube.
 Number of rings 12: 1 to 6 covers with number tube 1, 7 to 12 covers with number tube 2.
 Number of rings 18: 1 to 6 covers with number tube 1, 7 to 12 covers with number tube 2, 13 to 18 covers with number tube 3.
 Number of rings 24: 1 to 12 covers with number tube 1, 13 to 24 covers with number tubes 2.

| Electronic & Electric | | Mechanical | | MODEL | SPT030-080 | | | | | | |
|-----------------------|--------|----------------|------------------|----------------------------|------------|---------------|---|----------------|------|------------|------------|
| Circuits | Total | 24 CKT | Working Speed | | 0~300rpm | Customer code | TITLE | Wiring Diagram | | | |
| | Detail | 24x3A | Inner Diameter | ∅30mm | DESIGN | | | CFP | DATE | 2019.04.02 | |
| Rating Voltage | | 240V AC/DC | Contact Material | Fiber Brush | UNIT | mm | TOL UNLESS SPECIFIED | DESIGN | CFP | DATE | 2019.04.02 |
| Dielectric Strength | | 500VAC@50Hz | Housing Material | Aluminum Alloy | | | | | | | |
| Insulation Resistance | | ≥1000MΩ@500VDC | Lead Wire Length | Stator:1000mm Rotor:1000mm | SCALE | 1:1 | LINEAR 0--18 ±0.1 >18--80 ±0.15 >80--250 ±0.2 ANGLE x' ±0.5° | CHECKED | LML | DATE | 2019.04.02 |
| Environment | | Remarks | | PROJ. | | | | | REV. | A0 | PAGE |
| Working Temperature | | -20°C~+80°C | Application | / | | | | | | | |
| Working Humidity | | ≤60%RH | Other | / | | | | | | | |
| IP | | IP54 | | | | | | | | | |

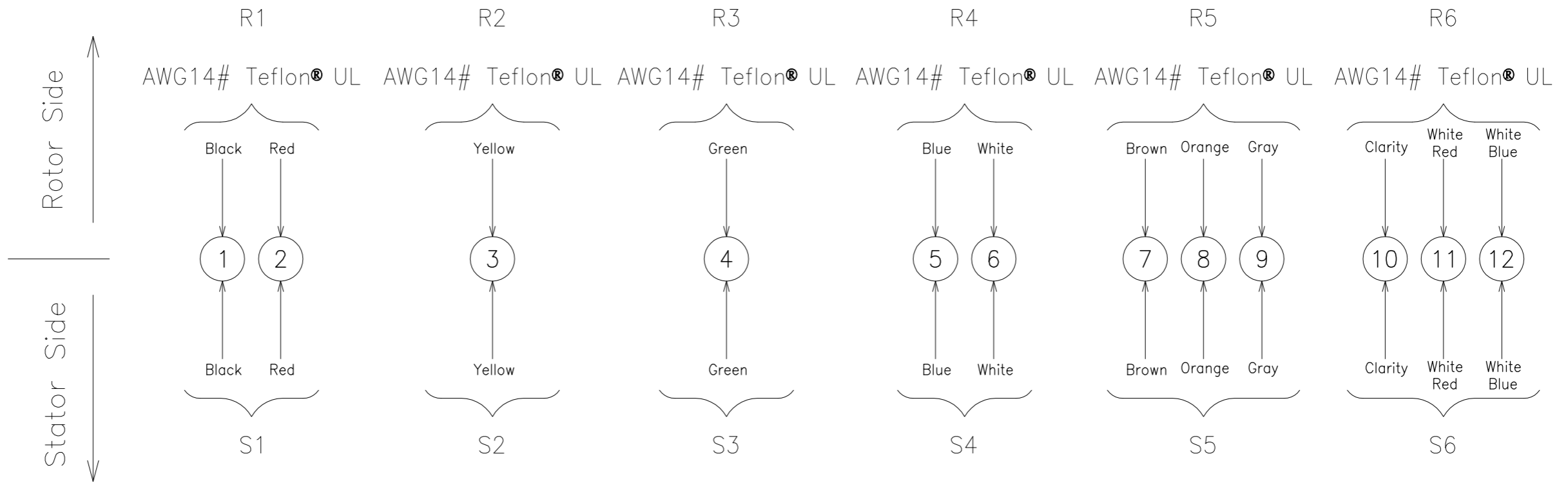
| MARK | CONTENT OF AMENDMENT | DATE | DRAW |
|------|----------------------|------|------|
| | | | |
| | | | |
| | | | |



| | | | | | | | | |
|-----------------|------|------|------|------|-------|-------|----|----|
| Number of rings | 2 | 3 | 4 | 6 | 9 | 12 | 18 | 24 |
| Power(L*) | 53.8 | 63.8 | 73.8 | 93.8 | 123.8 | 143.8 | - | - |

| | | | | | | | |
|---------------|------------|---|--|---------|-----------------|------|------------|
| MODEL | SPT030-080 | | | | | | |
| Customer code | | | | TITLE | Outline Drawing | | |
| UNIT | mm | TOL UNLESS SPECIFIED | | DESIGN | CFP | DATE | 2019.04.02 |
| SCALE | 1:1 | LINEAR 0--18 ±0.1 >18--80 ±0.15 >80--250 ±0.2 ANGLE x' ±0.5° | | CHECKED | LML | DATE | 2019.04.02 |
| PROJ. | | | | REV. | A0 | PAGE | 1/2 |

| MARK | CONTENT OF AMENDMENT | DATE | DRAW |
|------|----------------------|------|------|
| | | | |
| | | | |
| | | | |



| | | | | | | |
|-----------------|----------|----------------|----------------|----------------|----------------|----------------|
| Number of rings | 2 | 3 | 4 | 6 | 9 | 12 |
| Circuit | R1 S1 | R1~R2 S1~S2 | R1~R3 S1~S3 | R1~R4 S1~S4 | R1~R5 S1~S5 | R1~R6 S1~S6 |

| Electronic & Electric | | Mechanical | | |
|-----------------------|--------|----------------|------------------|------------------------------|
| Circuits | Total | 12 CKT | Working Speed | 0~300rpm |
| | Detail | 12x16A | Inner Diameter | ø30mm |
| Rating Voltage | | 240V AC/DC | Contact Material | Fiber Brush |
| Dielectric Strength | | 500VAC@50Hz | Housing Material | Aluminum Alloy |
| Insulation Resistance | | ≥1000MΩ@500VDC | Lead Wire Length | Stator:1000mm Rotor:1000mm |
| Environment | | Remarks | | |
| Working Temperature | | -20°C~+80°C | Application | / |
| Working Humidity | | ≤60%RH | Other | / |
| IP | | IP54 | | |

| | | | | | | |
|---------------|------------|--|----------------|-----|------|------------|
| MODEL | SPT030-080 | | | | | |
| Customer code | | TITLE | Wiring Diagram | | | |
| UNIT | mm | TOL UNLESS SPECIFIED LINEAR 0--18 ±0.1 >18--80 ±0.15 >80--250 ±0.2 ANGLE ° ±0.5° | DESIGN | CFP | DATE | 2019.04.02 |
| SCALE | 1:1 | | CHECKED | LML | DATE | 2019.04.02 |
| PROJ. | | | REV. | A0 | PAGE | 2/2 |