

PROPRIETARY AND CONFIDENTIAL  
THE INFORMATION CONTAINED IN THIS DRAWING IS THE SOLE PROPERTY OF PRINCETEL, INC. ANY REPRODUCTION IN PART OR AS A WHOLE WITHOUT THE WRITTEN PERMISSION OF PRINCETEL, INC. IS PROHIBITED.

STANDARD SPECIFICATIONS

PARAMETERS	VALUES
Wavelength range	1270-1610 nm for SM; 850 and 1310 nm for MM
Insertion loss	<5 dB (typical: 2-3 dB)
Insertion loss ripple	~+/-0.5 to 1 dB
Return loss (SM)	>45 dB
Crosstalk	>50 dB (typical: 63 dB)
Maximum speed	400 rpm
Estimated life cycle	100-200 million revolutions
Working temperature	-20 to 65 C
Storage temperature	-25 to 75 C
Package style	Pigtails on both ends
Housing material	Stainless steel
Fiber types	Single or multimode
Jacket types	900um, 2mm, 3 mm (Kevlar/PVC or armor)
Connector types	ST, FC, LC, SC (PC and APC)
Vibration	MIL-STD-167-1A
Mechanical shock	MIL-STD-810G
IP rating	IP 60

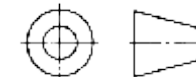
UNLESS OTHERWISE SPECIFIED:

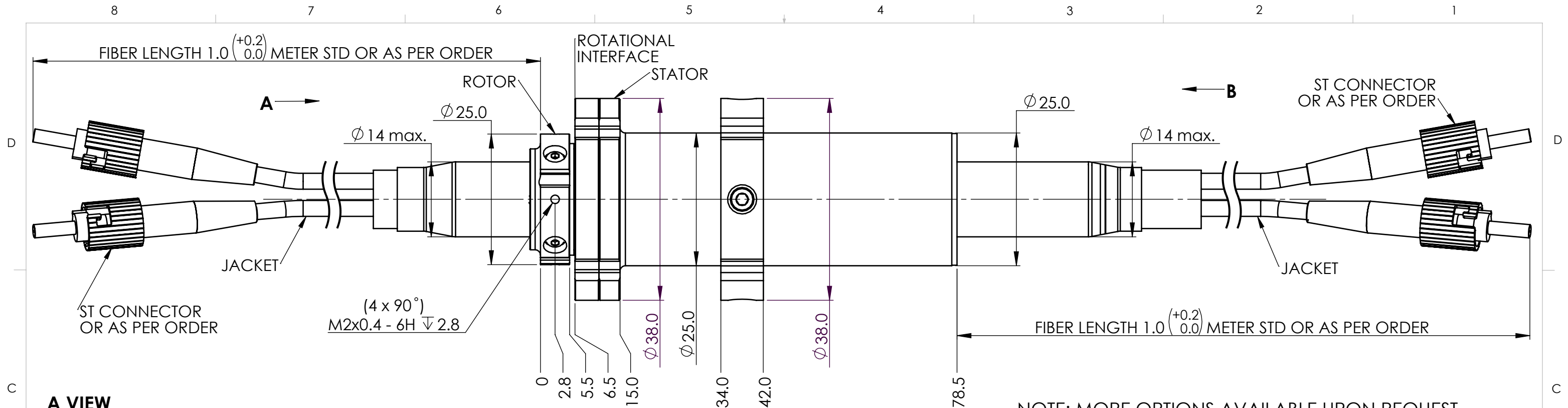
DIMENSIONS ARE IN mm  
DO NOT SCALE DRAWING

TOLERANCES:  
ANGULAR:  $\pm 1/2^\circ$   
ONE PLACE DECIMAL  $\pm 0.100$   
TWO PLACE DECIMAL  $\pm 0.050$   
THREE PLACE DECIMAL  $\pm 0.025$

MATERIAL:

DRAWN		DATE	NAME	PRINCETEL, INC.
DRAWN		10/26/2017	L. X.	
CHECKED		10/26/2017	R. Z.	
ENG APPR.				
MFG APPR.				
Q.A.				
COMMENTS: FIRST ANGLE PROJECTION				TITLE: ZJn, FORJ (n=2-4)
SIZE	DWG. NO.	REV		
B	2535-00-AD	4		
PART NO.		SHEET 1 OF 1		

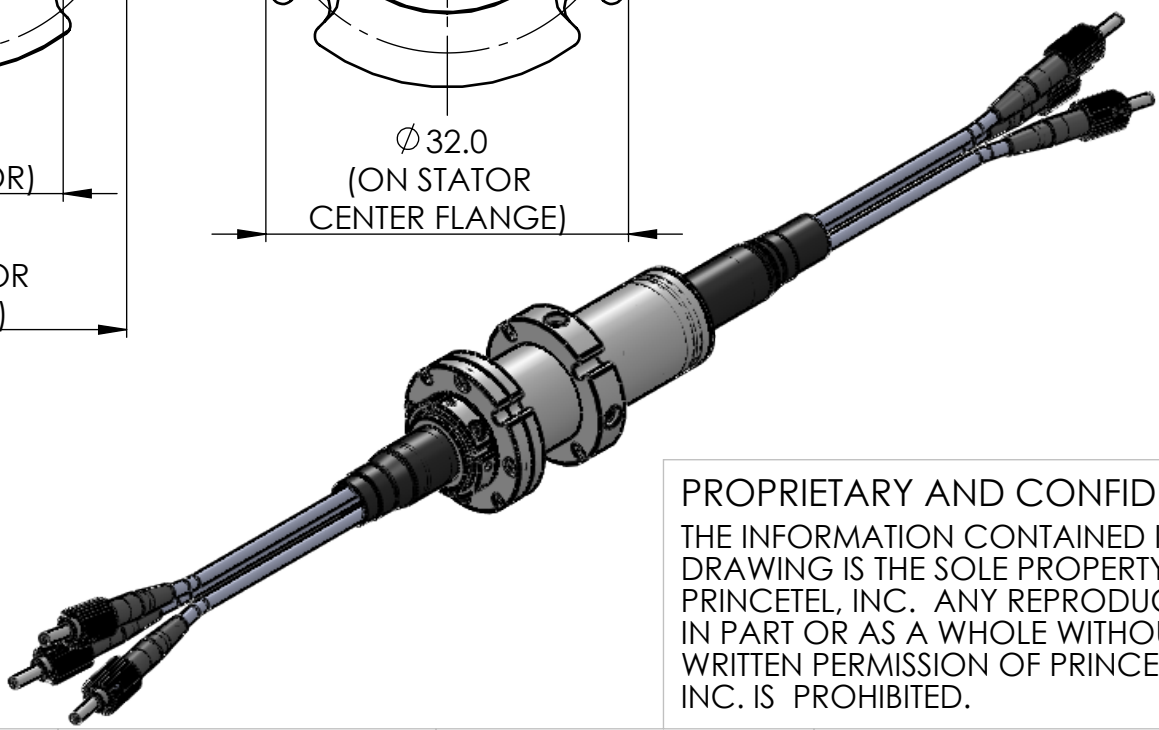
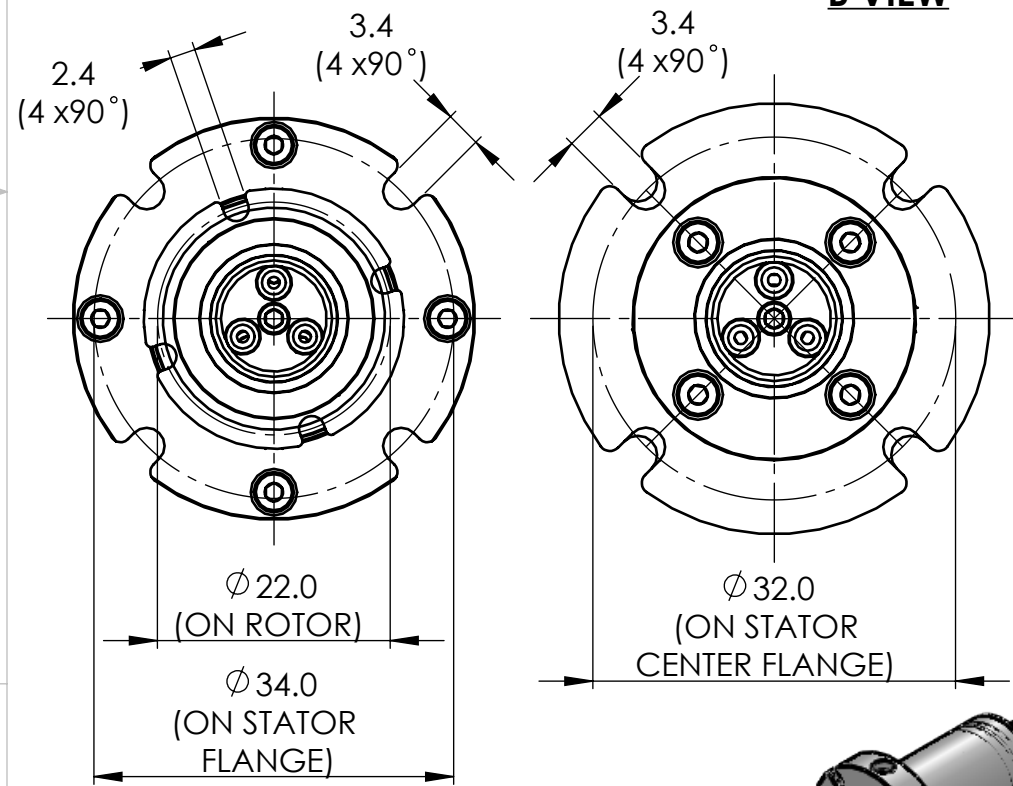




NOTE: MORE OPTIONS AVAILABLE UPON REQUEST.

**A VIEW**

**B VIEW**



PROPRIETARY AND CONFIDENTIAL  
 THE INFORMATION CONTAINED IN THIS DRAWING IS THE SOLE PROPERTY OF PRINCETEL, INC. ANY REPRODUCTION IN PART OR AS A WHOLE WITHOUT THE WRITTEN PERMISSION OF PRINCETEL, INC. IS PROHIBITED.

**STANDARD SPECIFICATIONS**

PARAMETERS	VALUES
WAVELENGTH RANGE	1270-1610 nm FOR SM; 850 AND 1310 nm FOR MM
INSERTION LOSS	<5 DB (TYPICAL: 2-3 DB)
INSERTION LOSS RIPPLE	~+/-0.5 TO 1 DB
RETURN LOSS (SM)	>45 DB
CROSSTALK	>50 DB (TYPICAL: 63 DB)
MAXIMUM SPEED	400 RPM
ESTIMATED LIFE CYCLE	100-200 MILLION REVOLUTIONS
WORKING TEMPERATURE	-20 TO 65 C
STORAGE TEMPERATURE	-25 TO 75 C
PACKAGE STYLE	PIGTAILS ON BOTH ENDS
HOUSING MATERIAL	STAINLESS STEEL
FIBER TYPES	SINGLE OR MULTIMODE
JACKET TYPES	900um, 2mm, 3 mm (KEVLAR/PVC OR ARMOR)
CONNECTOR TYPES	ST, FC, LC, SC (PC AND APC)
VIBRATION	MIL-STD-167-1A
MECHANICAL SHOCK	MIL-STD-810G
IP RATING	IP 65

UNLESS OTHERWISE SPECIFIED:

DIMENSIONS ARE IN mm  
 DO NOT SCALE DRAWING

TOLERANCES:  
 ANGULAR: ± 1/2°  
 ONE PLACE DECIMAL ± 0.100  
 TWO PLACE DECIMAL ± 0.050  
 THREE PLACE DECIMAL ± 0.025

MATERIAL:

DRAWN		DATE	NAME	PRINCETEL, INC.
DRAWN		10/26/2017	L. X.	
CHECKED		6/11/2019	R. Z.	
ENG APPR.				
MFG APPR.				
COMMENTS: FIRST ANGLE PROJECTION				TITLE: ZJnL, FORJ (n=2-4)
SIZE	DWG. NO.	REV		
B	2535-65-AD	1		
PART NO.	-	SHEET 1 OF 1		

