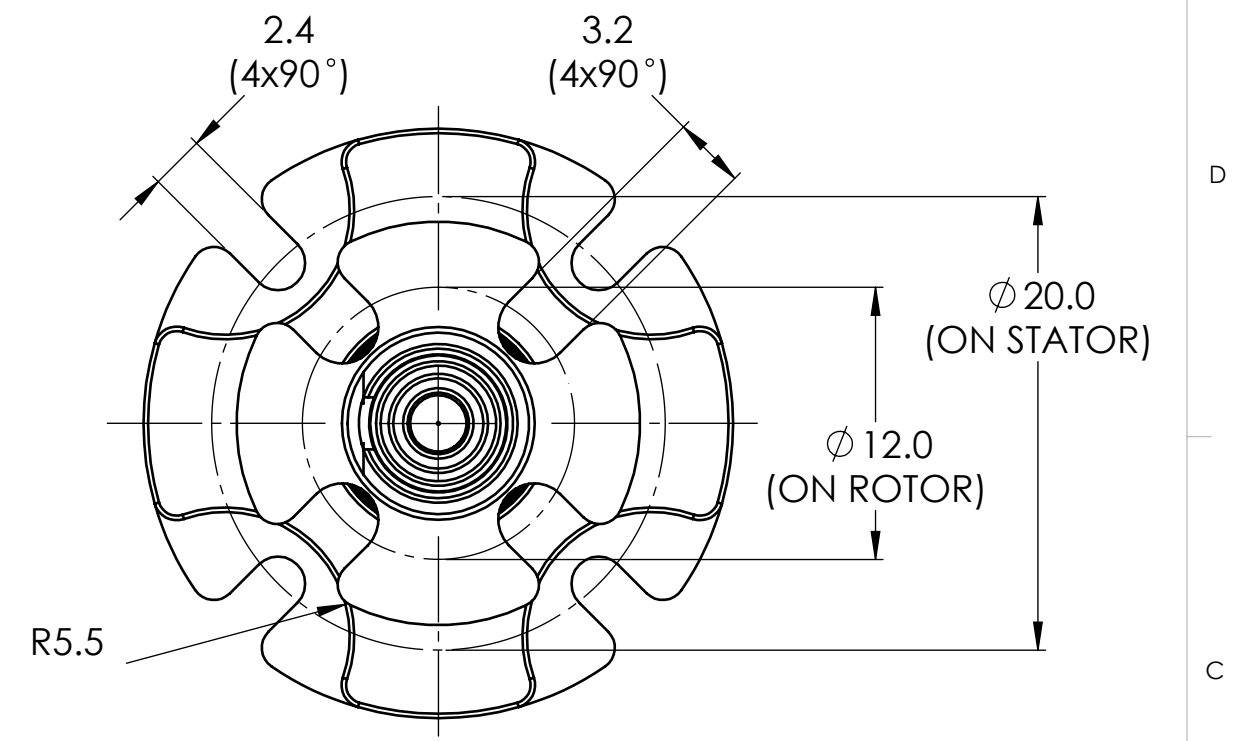
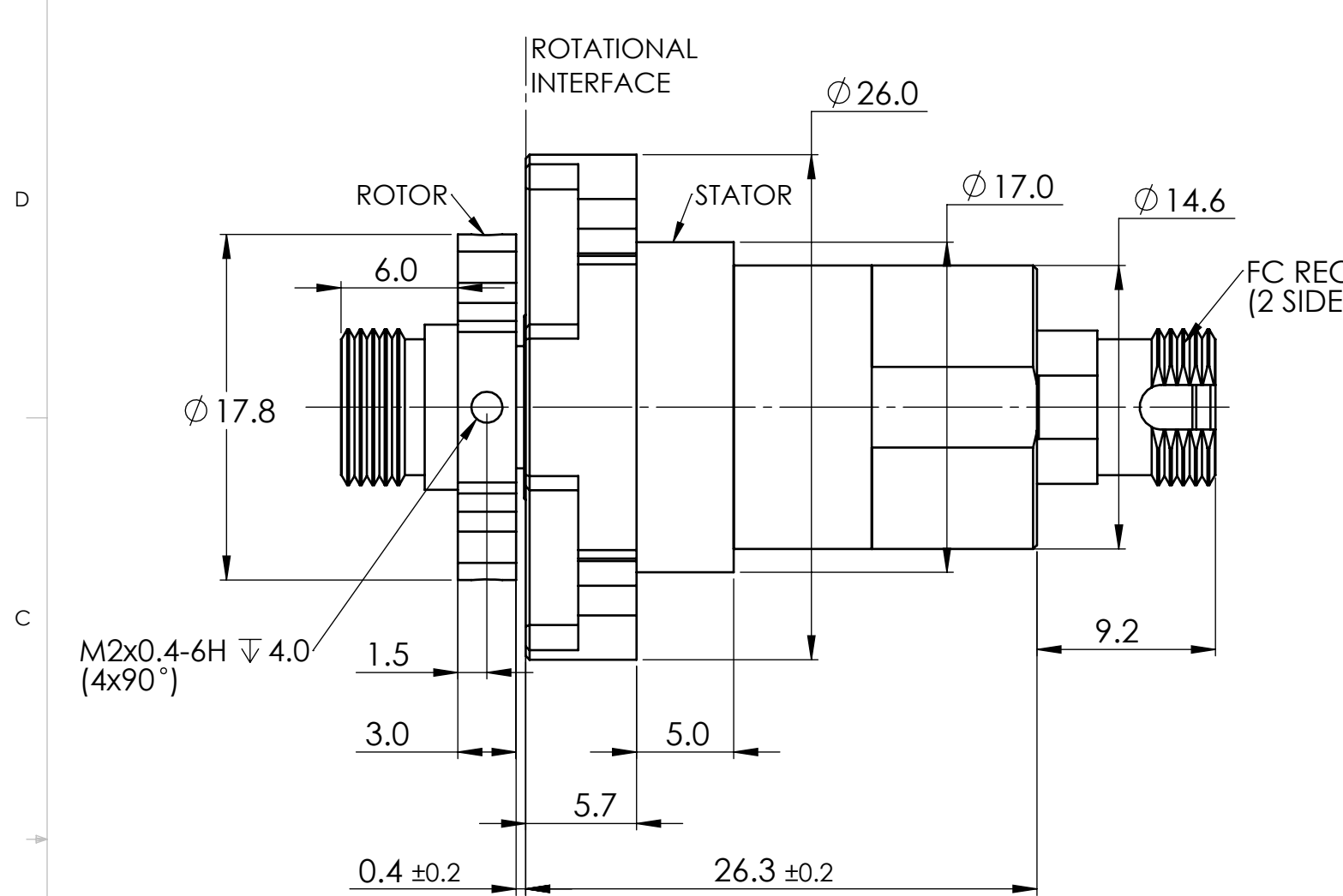
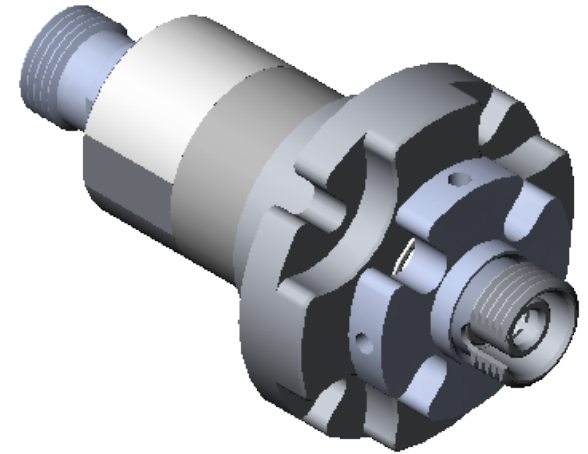


8 7 6 5 4 3 2 1



Note: More options available upon request.



STANDARD SPECIFICATIONS

PARAMETERS	VALUES
Wavelength range	650-1650 nm
Insertion loss	<3 dB
Insertion loss ripple	<+/-0.25 dB (typical: +/-0.15 dB)
Return loss (SM)	>30 dB
Maximum speed	2,000 rpm
Estimated life cycle	>500 million revolutions (1,000 rpm/365 days continuous)
Working temperature	-40 to 85 C
Storage temperature	-50 to 85 C
Package style	FC receptacles
Housing material	Stainless steel
Fiber types	Single or multimode
Vibration	MIL-STD-167-1A
Mechanical shock	MIL-STD-810G
IP rating	IP 68

UNLESS OTHERWISE SPECIFIED:

DIMENSIONS ARE IN mm
DO NOT SCALE DRAWING

TOLERANCES:
ANGULAR: ± 1/2°
ONE PLACE DECIMAL ± 0.100
TWO PLACE DECIMAL ± 0.050
THREE PLACE DECIMAL ± 0.025

MATERIAL:

	DATE	NAME
DRAWN	5/27/2016	L. X.
CHECKED	5/27/2016	R. Z.
ENG APPR.		
MFG APPR.		
Q.A.		

PRINCETEL, INC.

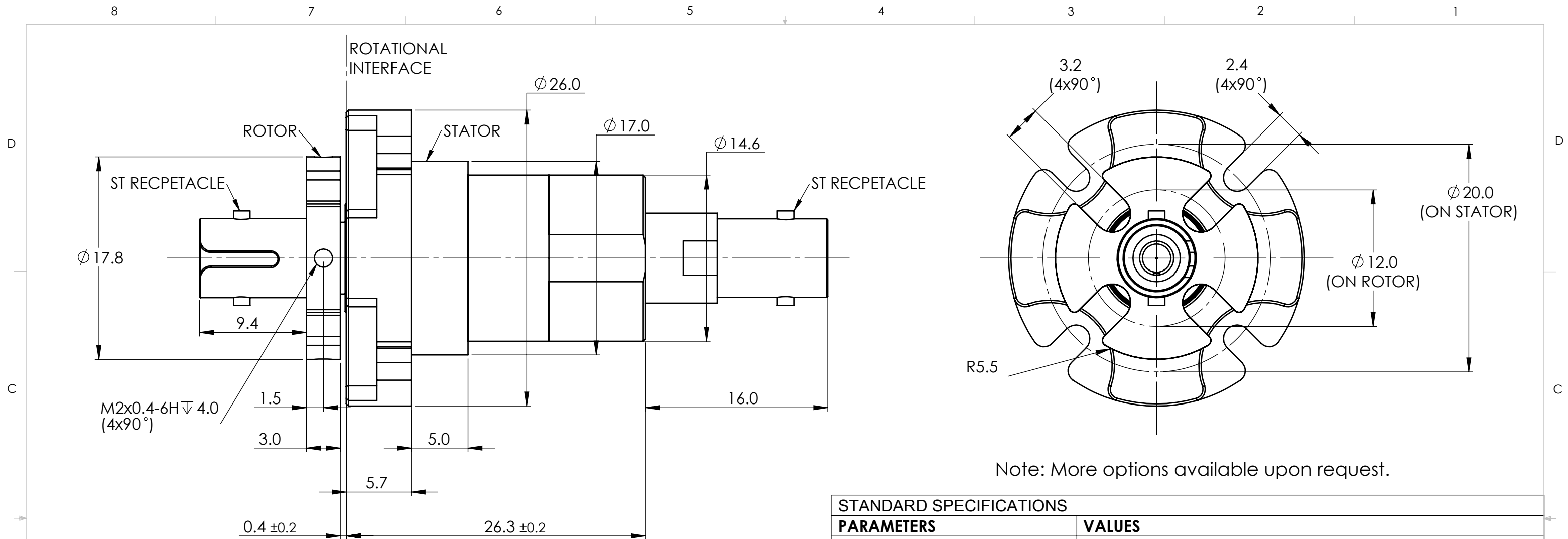
TITLE:
RFC,FORJ

COMMENTS: FIRST ANGLE PROJECTION

SIZE	DWG. NO.	REV
B	1074-00-AD	2
PART NO.	-	SHEET 1 OF 1

PROPRIETARY AND CONFIDENTIAL
THE INFORMATION CONTAINED IN THIS DRAWING IS THE SOLE PROPERTY OF PRINCETEL, INC. ANY REPRODUCTION IN PART OR AS A WHOLE WITHOUT THE WRITTEN PERMISSION OF PRINCETEL, INC. IS PROHIBITED.

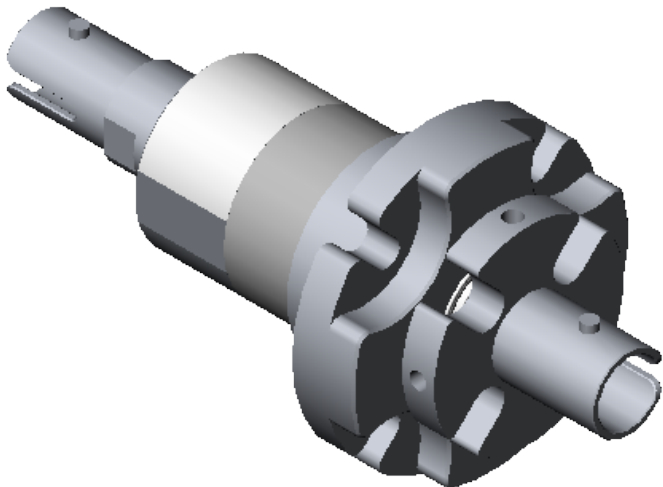
8 7 6 5 4 3 2 1



Note: More options available upon request.

STANDARD SPECIFICATIONS

PARAMETERS	VALUES
Wavelength range	650-1650 nm
Insertion loss	<3 dB
Insertion loss ripple	<+/-0.25 dB (typical: +/-0.15 dB)
Return loss (SM)	>30 dB
Maximum speed	2,000 rpm
Estimated life cycle	>500 million revolutions (1,000 rpm/365 days continuous)
Working temperature	-40 to 85 C
Storage temperature	-50 to 85 C
Package style	ST receptacles
Housing material	Stainless steel
Fiber types	Single or multimode
Vibration	MIL-STD-167-1A
Mechanical shock	MIL-STD-810G
IP rating	IP 68



PROPRIETARY AND CONFIDENTIAL
 THE INFORMATION CONTAINED IN THIS
 DRAWING IS THE SOLE PROPERTY OF
 PRINCETEL, INC. ANY REPRODUCTION
 IN PART OR AS A WHOLE WITHOUT THE
 WRITTEN PERMISSION OF PRINCETEL,
 INC. IS PROHIBITED.

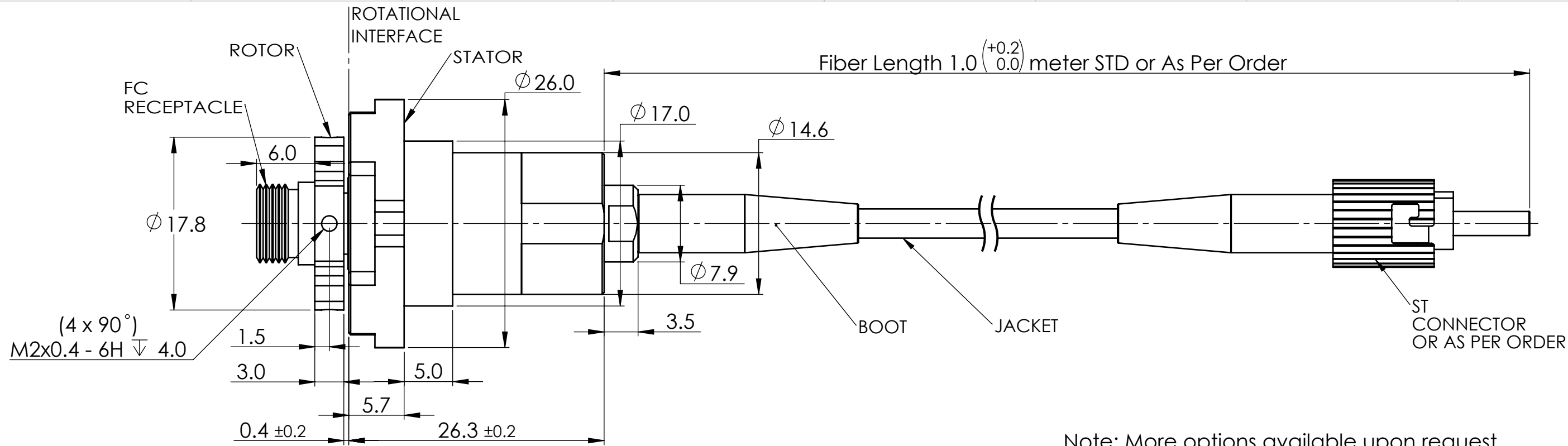
UNLESS OTHERWISE SPECIFIED:

DIMENSIONS ARE IN mm
 DO NOT SCALE DRAWING

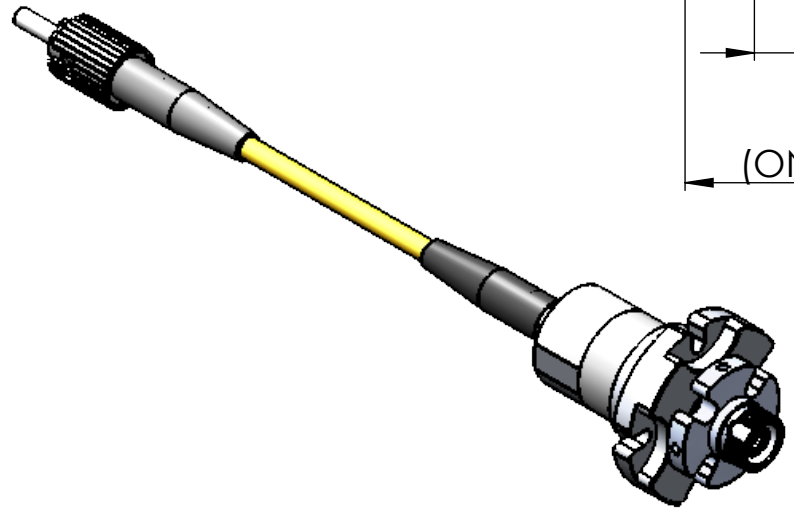
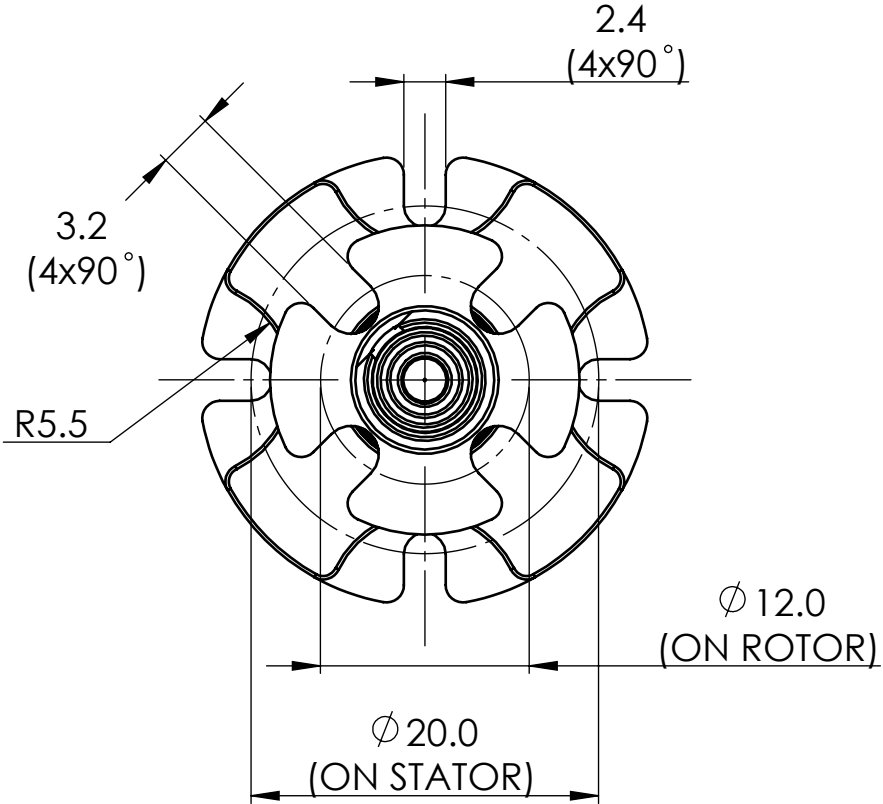
TOLERANCES:
 ANGULAR: ± 1/2°
 ONE PLACE DECIMAL ± 0.100
 TWO PLACE DECIMAL ± 0.050
 THREE PLACE DECIMAL ± 0.025

MATERIAL:

DATE		NAME		PRINCETEL, INC.		
DRAWN	5/27/2016	L. X.				
CHECKED	5/27/2016	R. Z.		TITLE:		
ENG APPR.				RST,FORJ		
MFG APPR.						
Q.A.						
COMMENTS: FIRST ANGLE PROJECTION				SIZE	DWG. NO.	REV
				B	1062-00-AD	2
				PART NO.	-	SHEET 1 OF 1



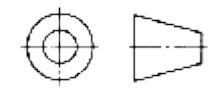
Note: More options available upon request.



PROPRIETARY AND CONFIDENTIAL
 THE INFORMATION CONTAINED IN THIS DRAWING IS THE SOLE PROPERTY OF PRINCETEL, INC. ANY REPRODUCTION IN PART OR AS A WHOLE WITHOUT THE WRITTEN PERMISSION OF PRINCETEL, INC. IS PROHIBITED.

STANDARD SPECIFICATIONS	
PARAMETERS	VALUES
Wavelength range	650-1650 nm
Insertion loss	<3 dB
Insertion loss ripple	<+/-0.25 dB (typical: +/-0.15 dB)
Return loss (SM)	>40 dB
Maximum speed	2,000 rpm
Estimated life cycle	>500 million revolutions (1,000 rpm/365 days continuous)
Working temperature	-40 to 85 C
Storage temperature	-50 to 85 C
Package style	FC receptacle and Pigtails on stator end
Housing material	Stainless steel
Fiber types	Single or multimode
Jacket types	900um, 2mm, 3 mm
Connector types	ST, FC, LC, SC (PC and APC)
Vibration	MIL-STD-167-1A
Mechanical shock	MIL-STD-810G
IP rating	IP 68

UNLESS OTHERWISE SPECIFIED:			DATE			NAME		
DIMENSIONS ARE IN mm DO NOT SCALE DRAWING			DRAWN 5/27/2016			L. X.		
TOLERANCES:			CHECKED 5/27/2016			R. Z.		
ANGULAR: $\pm 1/2^\circ$			ENG APPR.					
ONE PLACE DECIMAL ± 0.100			MFG APPR.					
TWO PLACE DECIMAL ± 0.050			Q.A.					
THREE PLACE DECIMAL ± 0.025			COMMENTS: FIRST ANGLE PROJECTION					
MATERIAL:			DRAWING NO.			REV		
			B 1074-RFP-AD			2		
			PART NO.			SHEET 1 OF 1		
			-					



PRINCETEL, INC.

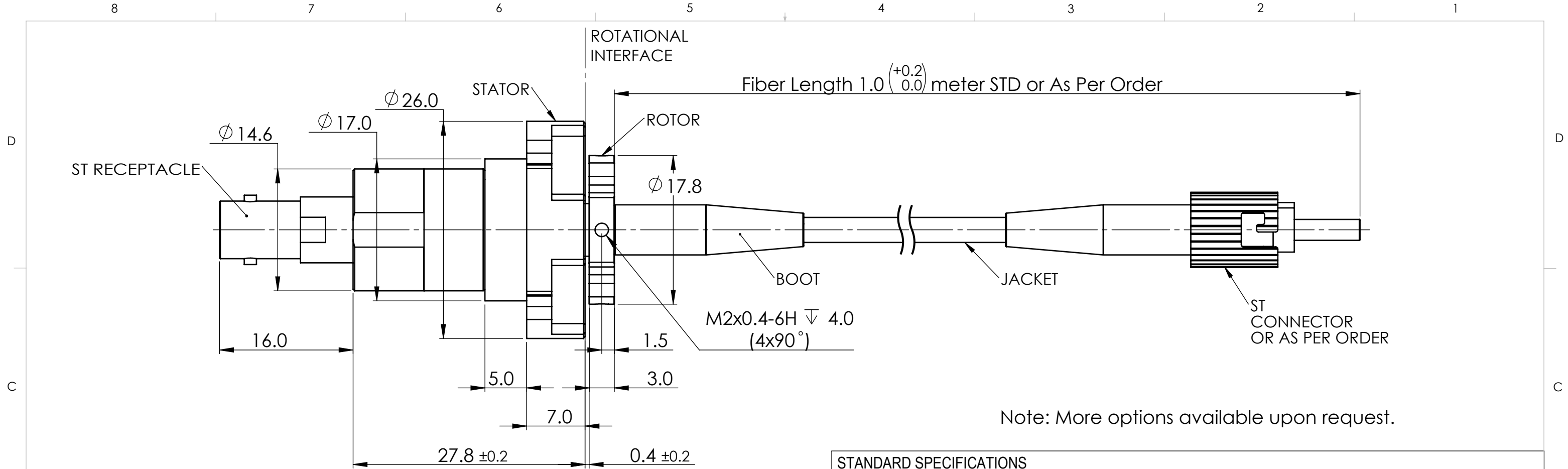
TITLE:

RFP, FORJ

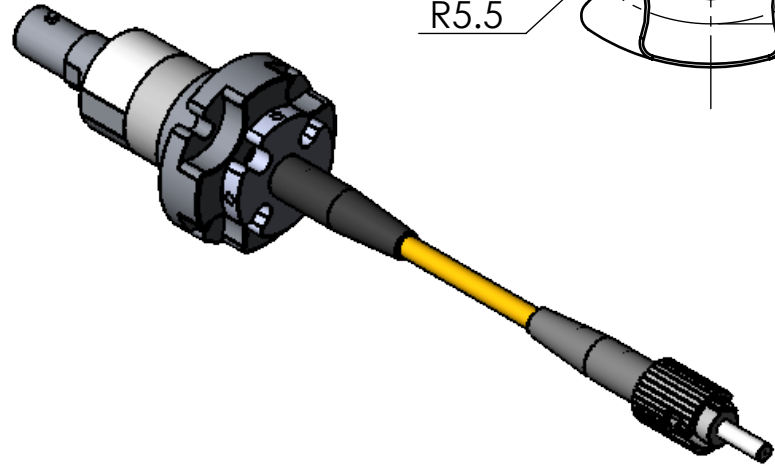
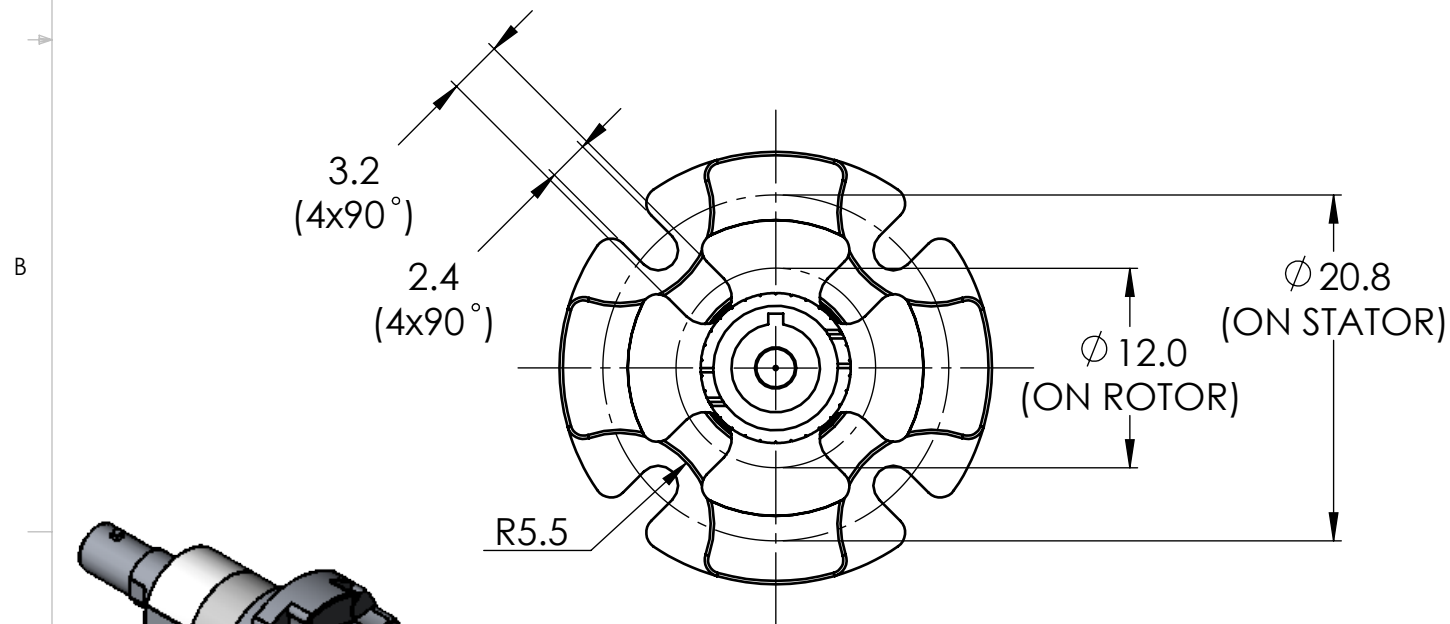
SIZE DWG. NO. REV

B 1074-RFP-AD 2

PART NO. - SHEET 1 OF 1



Note: More options available upon request.



PROPRIETARY AND CONFIDENTIAL
 THE INFORMATION CONTAINED IN THIS DRAWING IS THE SOLE PROPERTY OF PRINCETEL, INC. ANY REPRODUCTION IN PART OR AS A WHOLE WITHOUT THE WRITTEN PERMISSION OF PRINCETEL, INC. IS PROHIBITED.

STANDARD SPECIFICATIONS	
PARAMETERS	VALUES
Wavelength range	650-1650 nm
Insertion loss	<3 dB
Insertion loss ripple	<+/-0.25 dB (typical: +/-0.15 dB)
Return loss (SM)	>40 dB
Maximum speed	2,000 rpm
Estimated life cycle	>500 million revolutions (1,000 rpm/365 days continuous)
Working temperature	-40 to 85 C
Storage temperature	-50 to 85 C
Package style	ST receptacle and Pigtails on rotor end
Housing material	Stainless steel
Fiber types	Single or multimode
Jacket types	900um, 2mm, 3 mm
Connector types	ST, FC, LC, SC (PC and APC)
Vibration	MIL-STD-167-1A
Mechanical shock	MIL-STD-810G
IP rating	IP 68

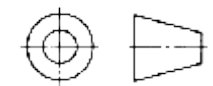
UNLESS OTHERWISE SPECIFIED:

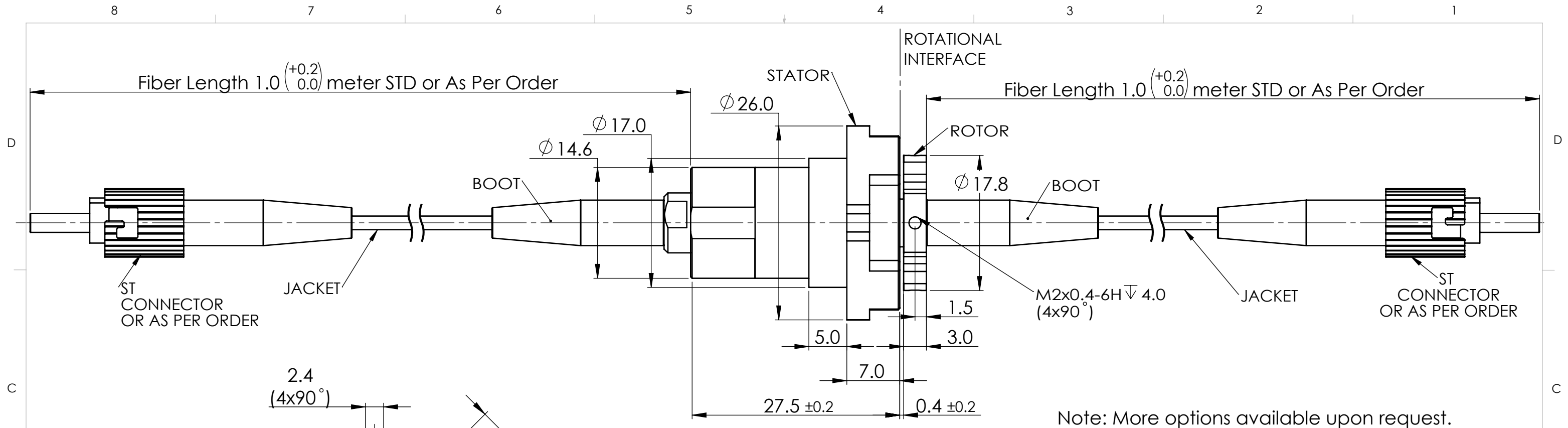
DIMENSIONS ARE IN mm
 DO NOT SCALE DRAWING

TOLERANCES:
 ANGULAR: ± 1/2°
 ONE PLACE DECIMAL ± 0.100
 TWO PLACE DECIMAL ± 0.050
 THREE PLACE DECIMAL ± 0.025

MATERIAL:

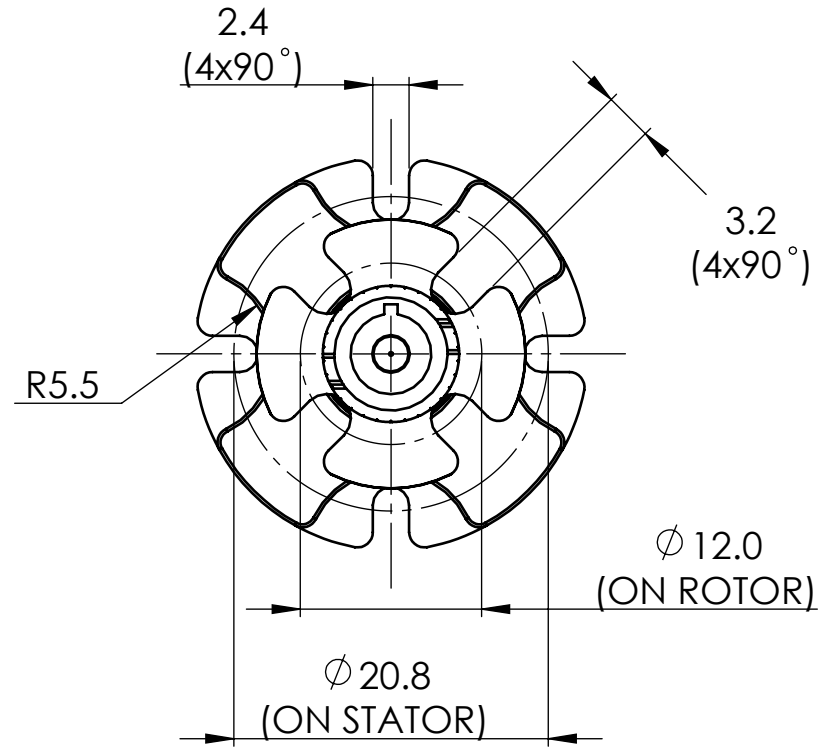
	DATE	NAME	PRINCETEL, INC.
DRAWN	5/27/2016	L. X.	
CHECKED	5/27/2016	R. Z.	
ENG APPR.			
MFG APPR.			
COMMENTS: FIRST ANGLE PROJECTION			TITLE:
			RPS, FORJ
SIZE	DWG. NO.	REV	
B	1071-00-62	6	
PART NO.	-	SHEET 1 OF 1	





Note: More options available upon request.

STANDARD SPECIFICATIONS	
PARAMETERS	VALUES
Wavelength range	650-1650 nm
Insertion loss	<2 dB (typical: <0.5 dB)
Insertion loss ripple	<+/-0.25 dB (typical: +/-0.15 dB)
Return loss (SM)	>40 dB (RPT), >55 dB (RPTA)
Maximum speed	2,000 rpm
Estimated life cycle	>500 million revolutions (1,000 rpm/365 days continous)
Working temperature	-40 to 85 C
Storage temperature	-50 to 85 C
Package style	Pigtails on both ends
Housing material	Stainless steel
Fiber types	Single or multimode
Jacket types	900um, 2mm, 3 mm
Connector types	ST, FC, LC, SC (PC and APC)
Vibration	MIL-STD-167-1A
Mechanical shock	MIL-STD-810G
IP rating	IP 68



PROPRIETARY AND CONFIDENTIAL
 THE INFORMATION CONTAINED IN THIS DRAWING IS THE SOLE PROPERTY OF PRINCETEL, INC. ANY REPRODUCTION IN PART OR AS A WHOLE WITHOUT THE WRITTEN PERMISSION OF PRINCETEL, INC. IS PROHIBITED.

UNLESS OTHERWISE SPECIFIED:

DIMENSIONS ARE IN mm
 DO NOT SCALE DRAWING

TOLERANCES:
 ANGULAR: ± 1/2°
 ONE PLACE DECIMAL ± 0.100
 TWO PLACE DECIMAL ± 0.050
 THREE PLACE DECIMAL ± 0.025

MATERIAL:

UNLESS OTHERWISE SPECIFIED:		DATE	NAME	PRINCETEL, INC.
DRAWN	9/11/2015	L. X.	TITLE:	
CHECKED	9/11/2015	R. Z.	RPT, FOR J	
ENG APPR.				
MFG APPR.				
COMMENTS: FIRST ANGLE PROJECTION				SIZE
				DWG. NO.
				REV
PART NO.				1071-RPT-AD
				SHEET 1 OF 1