

Data Sheet for Precision Resistor

Shunt Resistor

T + 41 44 885 30 80
 info@tds-pp.com
 www.tds-pp.com

Series SMA



- DC Ammeter Shunts
- Manganin Resistive Element
- Non-Inductive Metal Element
- Rated Output 50mV, 100mV or customized
- Voltage tolerance $\pm 0,1\%$

Applications: e.g. Power Supply, Power Converters, Current Measurements

Electrical Specification

Rated Output	50 mV, 100 mV, customized
Voltage Tolerance	$\pm 0,1\%$
Rated Current	1...500 A
TCR (ppm/°C)	± 15 ppm/°C
Operating Temperature	-30...+70°C
Storage Temperature	-55...+80°C

Mechanical Specification

Resistance Element	Manganin
Terminal Block	Brass
Base	Flame Resistant Bakelite

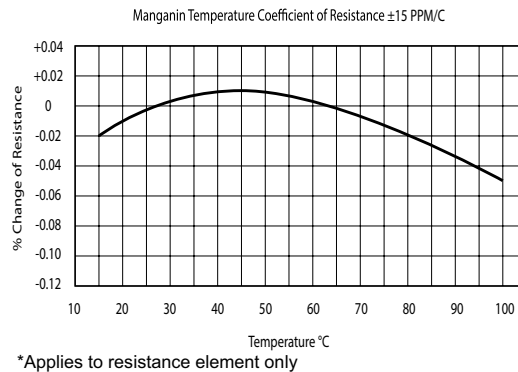
Rated Current (A)	Operating Current (A)	Resistance (mΩ) 50mV Output	Resistance (mΩ) 100mV Output
1	0,667	50	100
2	1,33	25	50
5	3,33	10	20
10	6,67	5	10
20	13,33	2,5	5
50	33,33	1	2
100	66,67	0,5	1
150	100	0,333	0,667
200	133,33	0,25	0,5
250	166,67	0,2	0,4
300	200	0,167	0,333
400	266,67	0,125	0,25
500	333,33	0,1	0,2

Data Sheet for Precision Resistor

Shunt Resistor

Series SMA

Power derating curve



Note

Mounting: Shunts should be mounted with manganin resistive blades in a vertical position in order to promote the free convectional flow of air. If vertical mounting is not practical, forced air cooling or adding heat sinks to the blocks can reduce the operating temperature. The manganin blades must never exceed $+145^{\circ}\text{C}$, otherwise permanent resistance change may occur.

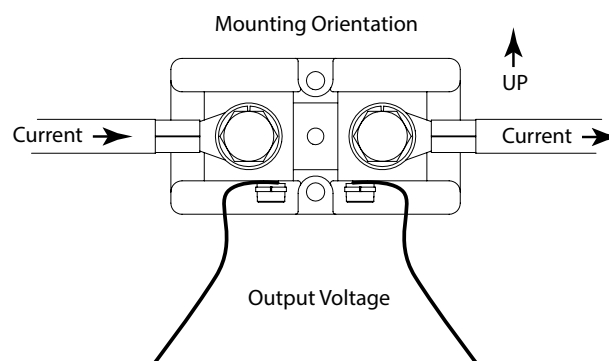
When current of 100A or greater is passing through the shunt, the major portion of heat generated is dissipated by conduction through the shunt terminal blocks into the connecting buss bar or cable. Therefore it is necessary to insure that good contact is made between the shunt terminal blocks and the conductor terminals and that the conductors have adequate cross section to keep the temperature of the shunt from exceeding 145°C (125°C recommended).

If the shunt is mounted in an enclosure, care must be taken to ensure adequate cooling. If the power density is greater than 1/4 watt per square inch of the enclosure surface for all enclosed devices, additional cooling must be supplied in the form of air vents or fans.

Shunts also must be installed in a way that protects them from thermal expansion forces produced from buss bar or short-circuit forces. Flexible wiring may be required in high pulse current, high vibration, or high temperature applications. Where possible, all shunts should be mounted on the ground side of the circuit. For circuits above 750VDC, shunts must be mounted on the ground side due to the dielectric strength of the shunt base.

Operating Current Derating: For continuous operation, it is recommended that shunts are not run at more than two thirds (2/3) the rated current under normal conditions per IEEE standards for DC instrument shunts. At ambient temperatures above 40°C , the current must be further derated to prevent damage.

Pulse Operation: Shunts that do not need continuous operation and are only exposed to intermittent pulses can be operated at levels above their rated current for short periods of times. Pulses are limited to the maximum temperature of the blades not exceeding 145°C (125°C recommended). Many variables such as ambient temperature, cross section of the current carrying conductors, and pulse duration make calculating exact values difficult. Shunt size will need to be validated by customer for pulse current and duty cycle on a case by case basis.



Data Sheet for Precision Resistor

Shunt Resistor

Series SMA

Order code					
Description		Selection: standard=black/bold, possible options=grey/cursive			
Series:	SMA				
Rated current:					
1 A		A1			
2 A		A2			
5 A		A5			
10 A		A10			
20 A		A20			
50 A		A50			
100 A		A100			
150 A		A150			
200 A		A200			
250 A		A250			
300 A		A300			
400 A		A400			
500 A		A500			
Voltage tolerance:			V0,1%		
±0,1%					
Rated output:					
50 mV				mV50	
100 mV				mV100	
<i>Optional xy mV</i>				<i>mV...</i>	

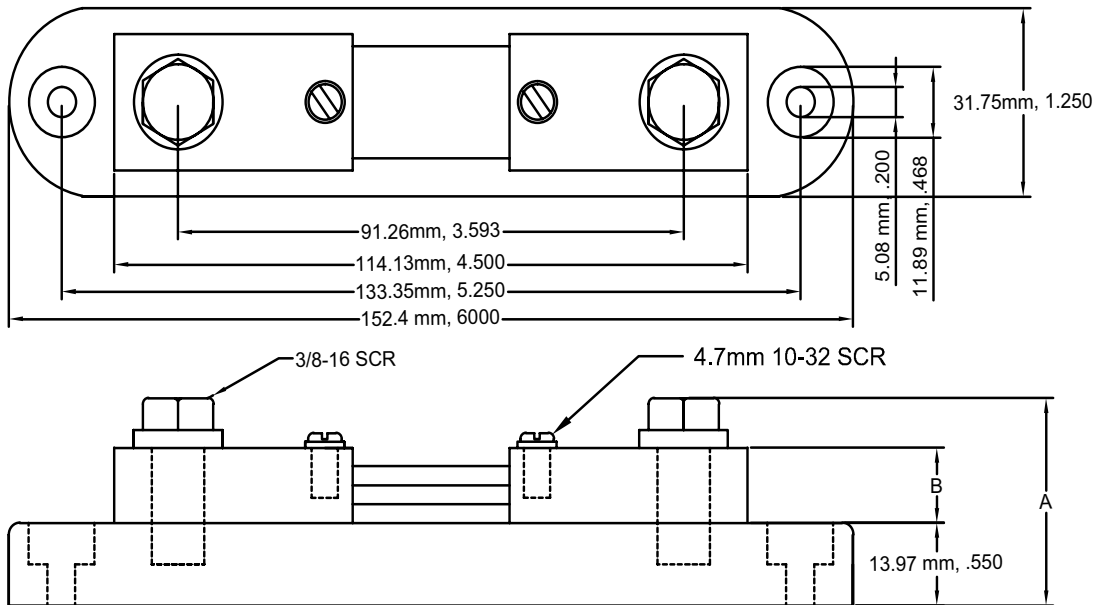
Order Example	Series	Rated current	Voltage tolerance	Rated output
Choice	SMA	500 Ampere	±0,1%	50 mV
Code	SMA	A500	V0,1%	mV50

Data Sheet for Precision Resistor

Shunt Resistor

Series SMA

Technische Zeichnung



Ampere	50 mV output		100 mV output	
	A	B	A	B
1	35,05	12,70	35,05	12,70
2	35,05	12,70	35,05	12,70
5	35,05	12,70	35,05	12,70
10	35,05	12,70	35,05	12,70
20	35,05	12,70	35,05	12,70
50	35,05	12,70	35,05	12,70
100	35,05	12,70	35,05	12,70
150	35,05	12,70	35,05	12,70
200	35,05	12,70	35,05	12,70
250	41,40	19,05	35,05	12,70
300	41,40	19,05	35,05	12,70
400	41,40	19,05	41,40	19,05
500	41,40	19,05	41,40	19,05