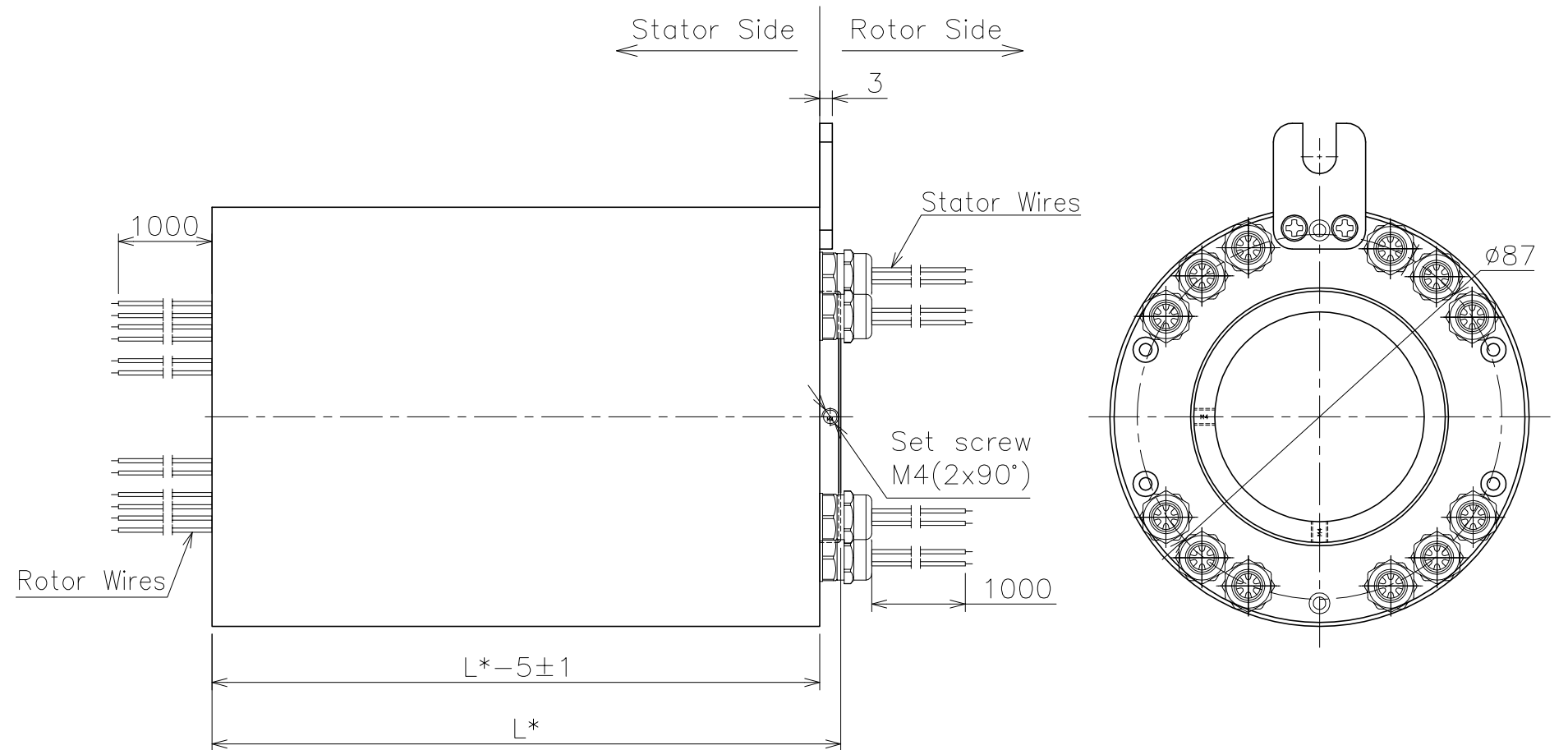
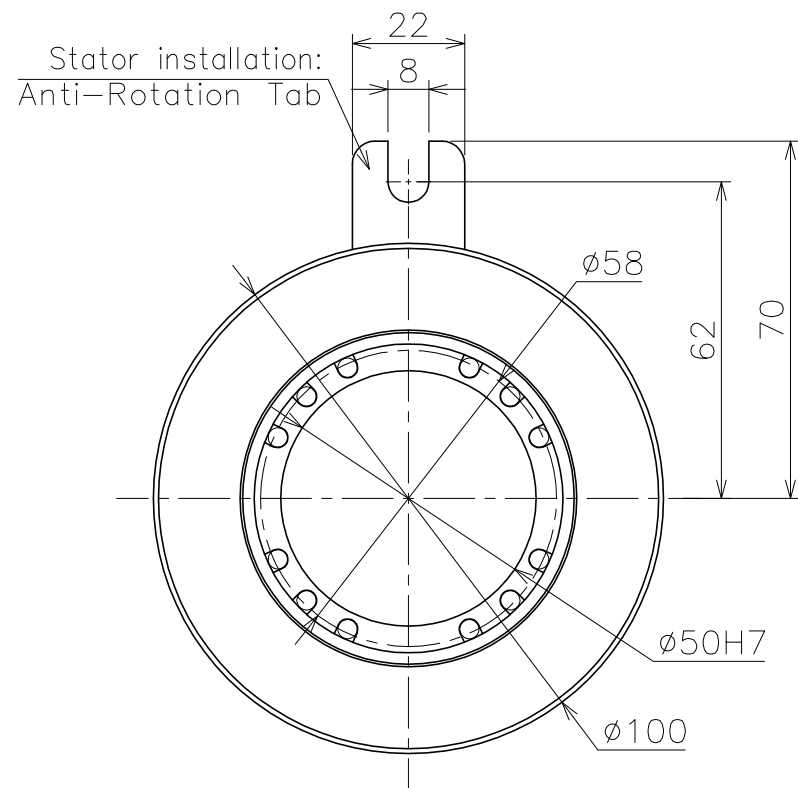


MARK	CONTENT OF AMENDMENT	DATE	DRAW



Number of rings	4	6	12	18	24
Signal(L*)	49.8	59.8	89.8	119.8	149.8

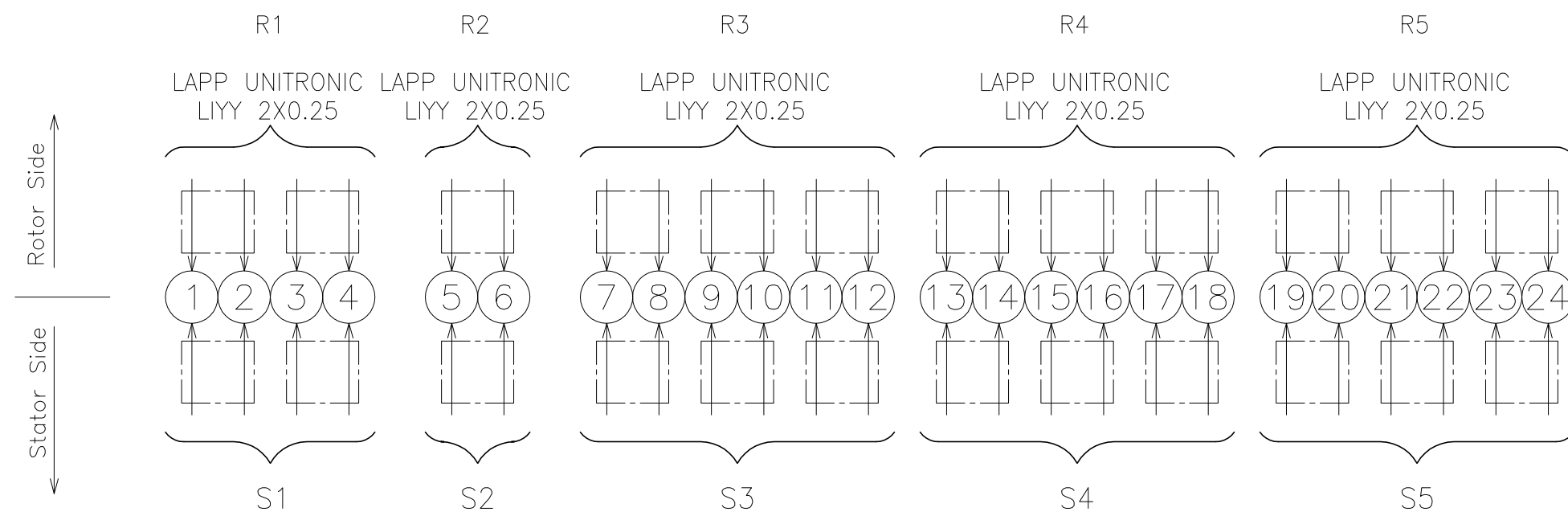


TDS Precision Products GmbH
Industriestrasse 1a
CH-8157 Dielsdorf

T + 41 44 885 30 80
info@tds-pp.com
www.tds-pp.com


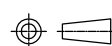
MODEL	SPT050-100					
Customer code			TITLE	Outline Drawing		
UNIT	mm	TOL UNLESS SPECIFIED LINEAR 0--18 ±0.1 >18--80 ±0.15 >80--250 ±0.2 ANGLE x' ±0.5'	DESIGN	ZGP	DATE	2019.04.09
SCALE	1:1		CHECKED	LML	DATE	2019.04.09
PROJ.			REV.	A0	PAGE	1/2

MARK	CONTENT OF AMENDMENT	DATE	DRAW

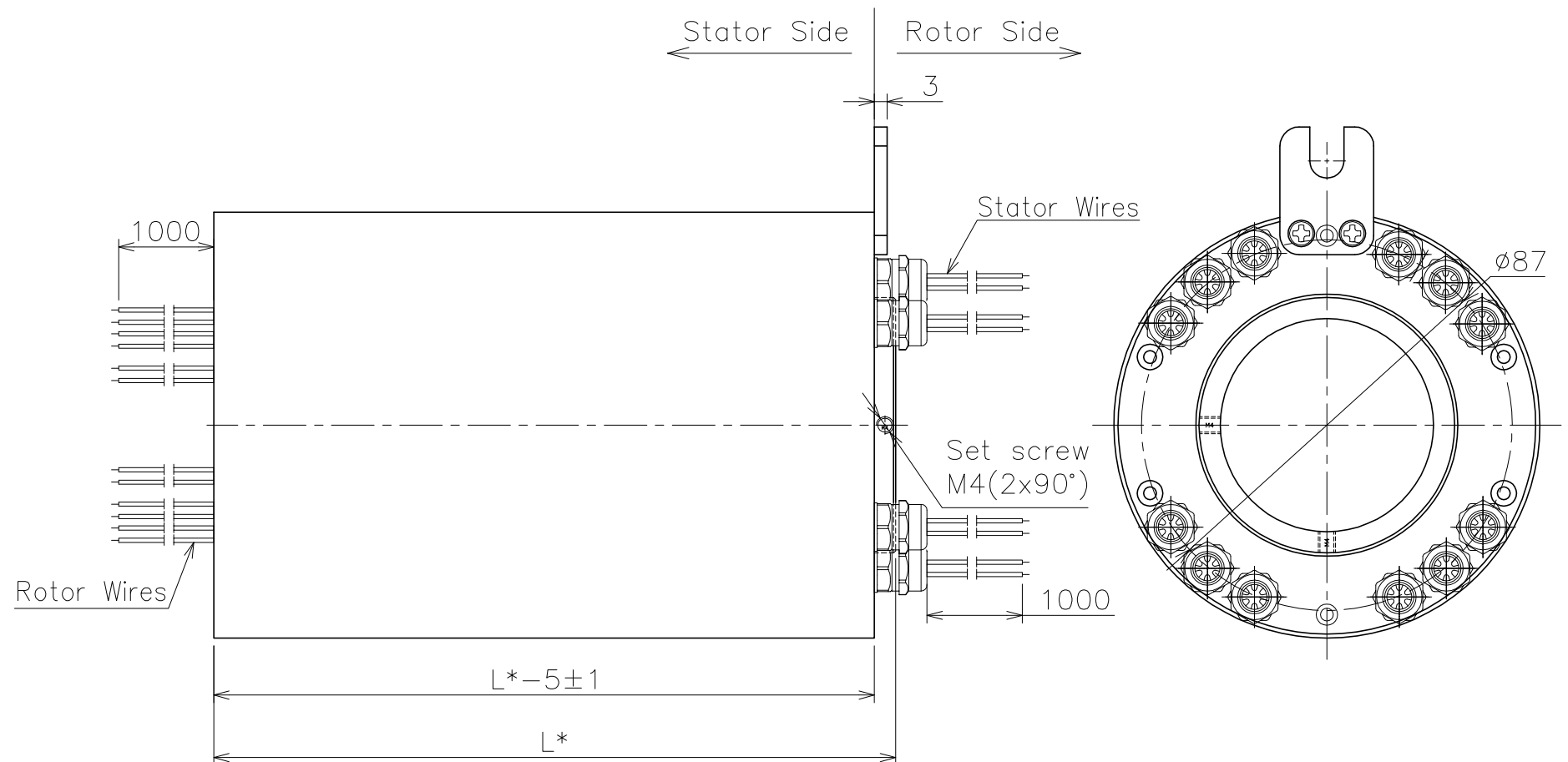
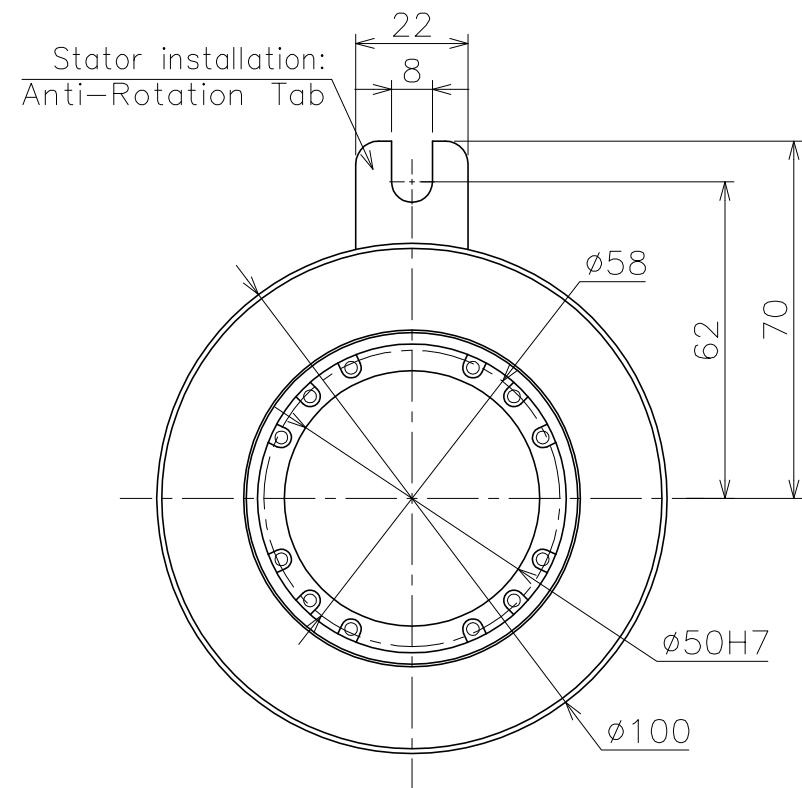


Number of rings	4	6	12	18	24
Circuit	R1 S1	R1~R2 S1~S2	R1~R3 S1~S3	R1~R4 S1~S4	R1~R5 S1~S5

Note:
Corresponding Ring must be set on the corresponding number.

Electronic & Electric		Mechanical		 TDS Precision Products GmbH Industriestrasse 1a CH-8157 Dielsdorf T + 41 44 885 30 80 info@tds-pp.com www.tds-pp.com	MODEL	SPT050-100					
Circuits	Total	24 CKT	Working Speed		0~300rpm	Customer code	TITLE	Wiring Diagram			
	Detail	24x3A	Inner Diameter		ø50mm			DESIGN	ZGP	DATE	2019.04.09
Rating Voltage	240VAC/DC	Contact Material	Fiber Brush		UNIT mm TOL UNLESS SPECIFIED LINEAR 0--18 ±0.1 >18--80 ±0.15 >80--250 ±0.2 ANGLE x' ±0.5°	SCALE	1:1	CHECKED	LML	DATE	2019.04.09
Dielectric Strength	500VAC@50Hz	Housing Material	Aluminum Alloy	PROJ.			REV.	A0	PAGE	2/2	
Insulation Resistance	≥1000MΩ@500VDC	Lead Wire Length	Stator:1000mm Rotor:1000mm	Environment		Remarks					
Working Temperature	-20°C~+80°C	Application	/	IP	IP54	Note: "P" stands for power, "S" stands for signal.					
Working Humidity	≤60%RH	Other	/								

MARK	CONTENT OF AMENDMENT	DATE	DRAW



Number of rings	4	6	12	18	24
Power(L*)	84.8	119.8	159.8	-	-

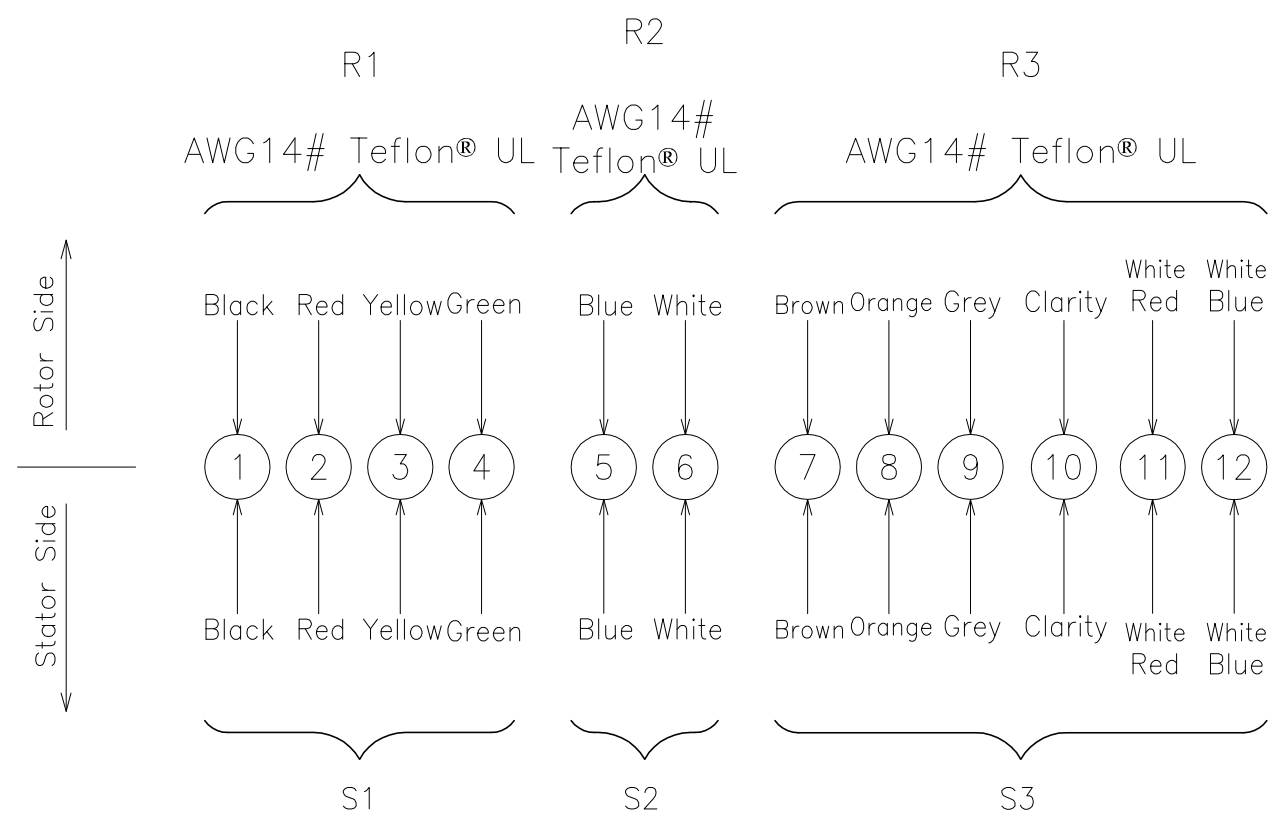


TDS Precision Products GmbH
Industriestrasse 1a
CH-8157 Dielsdorf


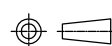
T + 41 44 885 30 80
info@tds-pp.com
www.tds-pp.com

MODEL	SPT050-100					
Customer code			TITLE	Outline Drawing		
UNIT	mm	TOL UNLESS SPECIFIED LINEAR 0--18 ±0.1 >18--80 ±0.15 >80--250 ±0.2 ANGLE x' ±0.5'	DESIGN	ZGP	DATE	2019.04.09
SCALE	1:1		CHECKED	LML	DATE	2019.04.09
PROJ.			REV.	A0	PAGE	1/2

MARK	CONTENT OF AMENDMENT	DATE	DRAW



Number of rings	4	6	12	18	24
Circuit	R1 S1	R1~R2 S1~S2	R1~R3 S1~S3	/	/

Electronic & Electric			Mechanical		 TDS Precision Products TDS Precision Products GmbH Industriestrasse 1a CH-8157 Dielsdorf T + 41 44 885 30 80 info@tds-pp.com www.tds-pp.com	MODEL						SPT050-100			
Circuits	Total	12 CKT	Working Speed	0~300rpm		Customer code			TITLE	Wiring Diagram					
	Detail	12x16A	Inner Diameter	∅50mm			UNIT	mm	TOL UNLESS SPECIFIED	DESIGN	ZGP	DATE	2019.04.09		
Rating Voltage	400VAC		Contact Material	Fiber Brush		SCALE	1:1	LINEAR 0--18 ±0.1 >18--80 ±0.15 >80--250 ±0.2 ANGLE x' ±0.5°	CHECKED	LML	DATE	2019.04.09			
Dielectric Strength	500VAC@50Hz		Housing Material	Aluminum Alloy	PROJ.		REV.		A0	PAGE	2/2				
Insulation Resistance	≥1000MΩ@500VDC		Lead Wire Length	Stator:1000mm Rotor:1000mm											
Environment			Remarks												
Working Temperature	-20°C~+80°C		Application	/											
Working Humidity	≤60%RH		Other	/											
IP	IP54		Note: "P" stands for power, "S" stands for signal.												