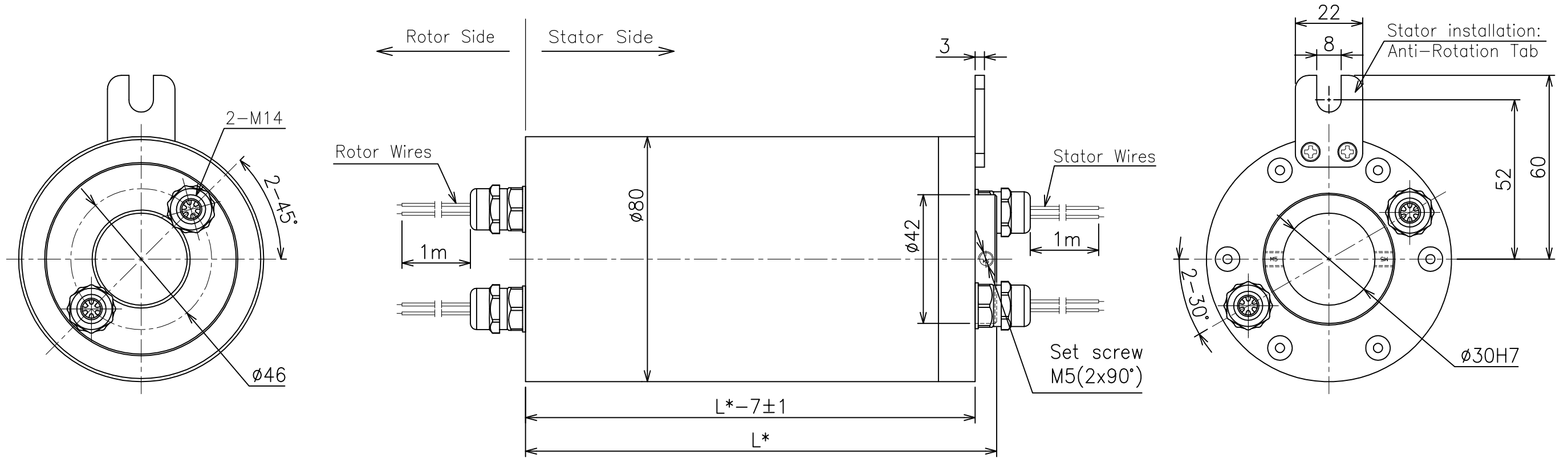


MARK	CONTENT OF AMENDMENT	DATE	DRAW



Number of rings	2	3	4	6	9	12	18	24
Signal(L*)	47.8	-	53.8	63.8	-	83.8	113.8	153.8

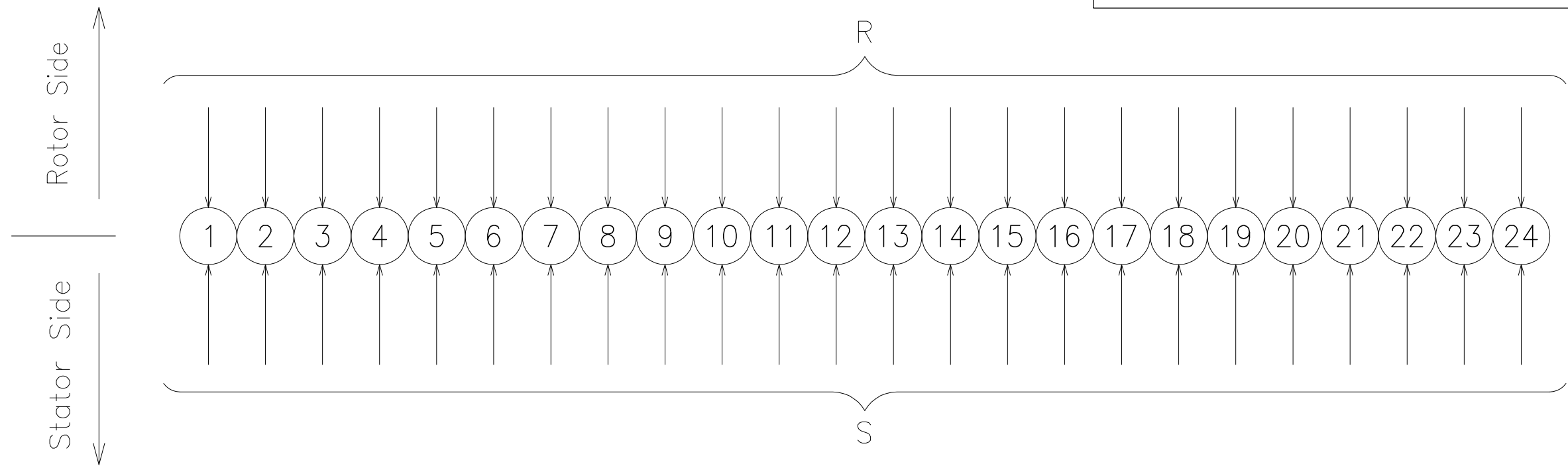


TDS Precision Products GmbH
Industriestrasse 1a
CH-8157 Dielsdorf

T + 41 44 885 30 80
info@tds-pp.com
www.tds-pp.com

MODEL	SPT030-080						
Customer code				TITLE	Outline Drawing		
UNIT	mm	TOL UNLESS SPECIFIED LINEAR 0--18 ±0.1 >18--80 ±0.15 >80--250 ±0.2 ANGLE x' ±0.5°	DESIGN	CFP	DATE	2019.04.02	
SCALE	1:1		CHECKED	LML	DATE	2019.04.02	
PROJ.			REV.	A0	PAGE	1/2	

MARK	CONTENT OF AMENDMENT	DATE	DRAW




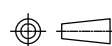
Number of rings	2	4	6	12	18	24
Circuit	Ring1~ Ring2	Ring1~ Ring4	Ring1~ Ring6	Ring1~ Ring12	Ring1~ Ring18	Ring1~ Ring24
Type of line	Two core	Four core	Six core	2*Six core	3*Six core	2*Twelve core

Color:

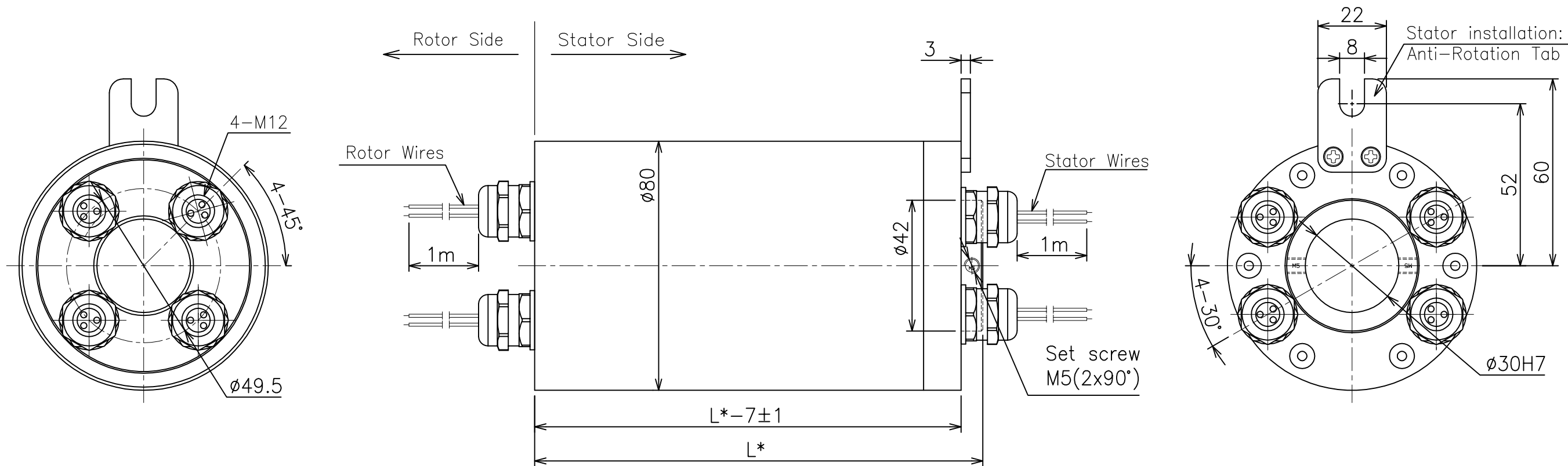
Two core wire: white, brown.
 Four core wire: white, brown, green, yellow.
 Six core wire: white, brown, green, yellow, gray, powder.
 Twelve-core wire: white, brown, green, yellow, gray, pink, blue, red, black, purple, gray powder, red and blue.

Note:

Number of rings 2/4/6 corresponds ring covered with the corresponding number tube.
 Number of rings 12: 1 to 6 covers with number tube 1, 7 to 12 covers with number tube 2.
 Number of rings 18: 1 to 6 covers with number tube 1, 7 to 12 covers with number tube 2, 13 to 18 covers with number tube 3.
 Number of rings 24: 1 to 12 covers with number tube 1, 13 to 24 covers with number tubes 2.

Electronic & Electric		Mechanical		 <p>TDS Precision Products GmbH Industriestrasse 1a CH-8157 Dielsdorf</p> <p>T + 41 44 885 30 80 info@tds-pp.com www.tds-pp.com</p>	MODEL		SPT030-080						
Circuits	Total	24 CKT			Working Speed	0~300rpm		Customer code	TITLE	Wiring Diagram			
	Detail	24x3A			Inner Diameter	ø30mm				DESIGN	CFP	DATE	2019.04.02
Rating Voltage		240V AC/DC			Contact Material	Fiber Brush		UNIT	mm	TOL UNLESS SPECIFIED LINEAR 0--18 ±0.1 >18--80 ±0.15 >80--250 ±0.2 ANGLE x' ±0.5°	CHECKED	LML	DATE
Dielectric Strength		500VAC@50Hz		Housing Material	Aluminum Alloy		SCALE	1:1	REV.		A0	PAGE	2/2
Insulation Resistance		≥1000MΩ@500VDC		Lead Wire Length	Stator:1000mm Rotor:1000mm		PROJ.						
Environment		Remarks											
Working Temperature		-20°C~+80°C		Application	/								
Working Humidity		≤60%RH		Other	/								
IP		IP54											

MARK	CONTENT OF AMENDMENT	DATE	DRAW



Number of rings	2	3	4	6	9	12	18	24
Power(L*)	53.8	63.8	73.8	93.8	123.8	143.8	-	-

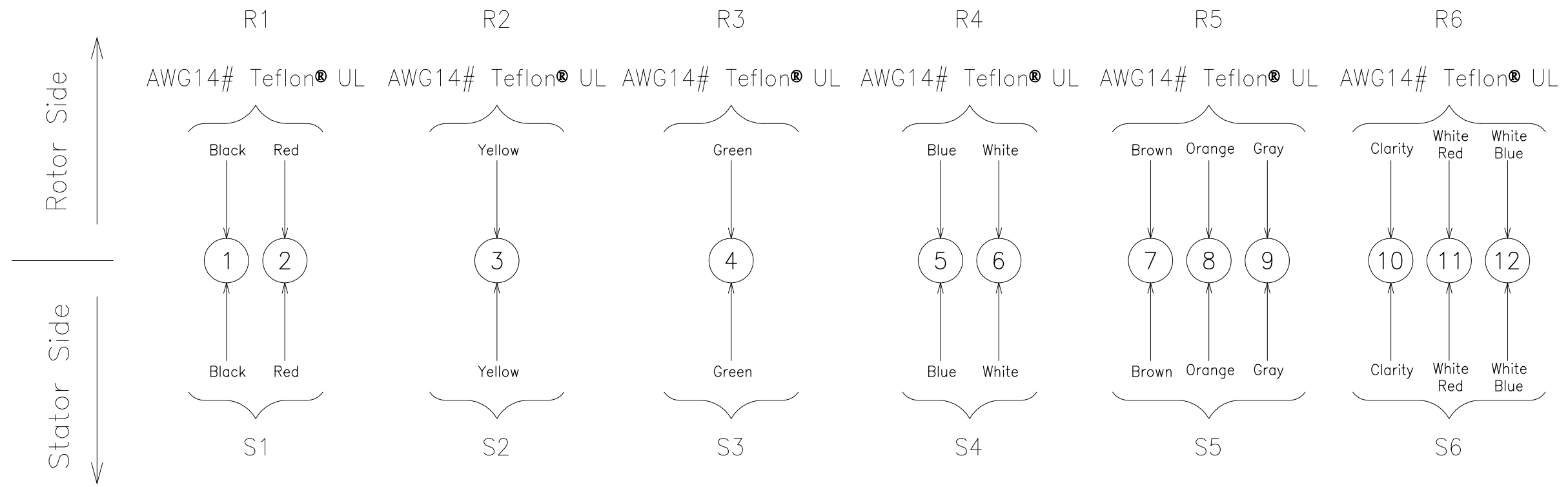


TDS Precision Products GmbH
 Industriestrasse 1a
 CH-8157 Dielsdorf

T + 41 44 885 30 80
 info@tds-pp.com
 www.tds-pp.com

MODEL	SPT030-080						
Customer code				TITLE	Outline Drawing		
UNIT	mm	TOL UNLESS SPECIFIED LINEAR 0--18 ±0.1 >18--80 ±0.15 >80--250 ±0.2 ANGLE x' ±0.5'	DESIGN	CFP	DATE	2019.04.02	
SCALE	1:1		CHECKED	LML	DATE	2019.04.02	
PROJ.			REV.	A0	PAGE	1/2	

MARK	CONTENT OF AMENDMENT	DATE	DRAW



Number of rings	2	3	4	6	9	12
Circuit	R1 S1	R1~R2 S1~S2	R1~R3 S1~S3	R1~R4 S1~S4	R1~R5 S1~S5	R1~R6 S1~S6

Electronic & Electric		Mechanical		
Circuits	Total	12 CKT	Working Speed	0~300rpm
	Detail	12x16A	Inner Diameter	∅30mm
Rating Voltage		240V AC/DC	Contact Material	Fiber Brush
Dielectric Strength		500VAC@50Hz	Housing Material	Aluminum Alloy
Insulation Resistance		≥1000MΩ@500VDC	Lead Wire Length	Stator:1000mm Rotor:1000mm
Environment		Remarks		
Working Temperature		-20°C~+80°C	Application	/
Working Humidity		≤60%RH	Other	/
IP		IP54		



MODEL	SPT030-080					
Customer code		TITLE	Wiring Diagram			
UNIT	mm	TOL UNLESS SPECIFIED LINEAR 0--18 ±0.1 >18--80 ±0.15 >80--250 ±0.2 ANGLE x' ±0.5'	DESIGN	CFP	DATE	2019.04.02
SCALE	1:1		CHECKED	LML	DATE	2019.04.02
PROJ.			REV.	A0	PAGE	2/2