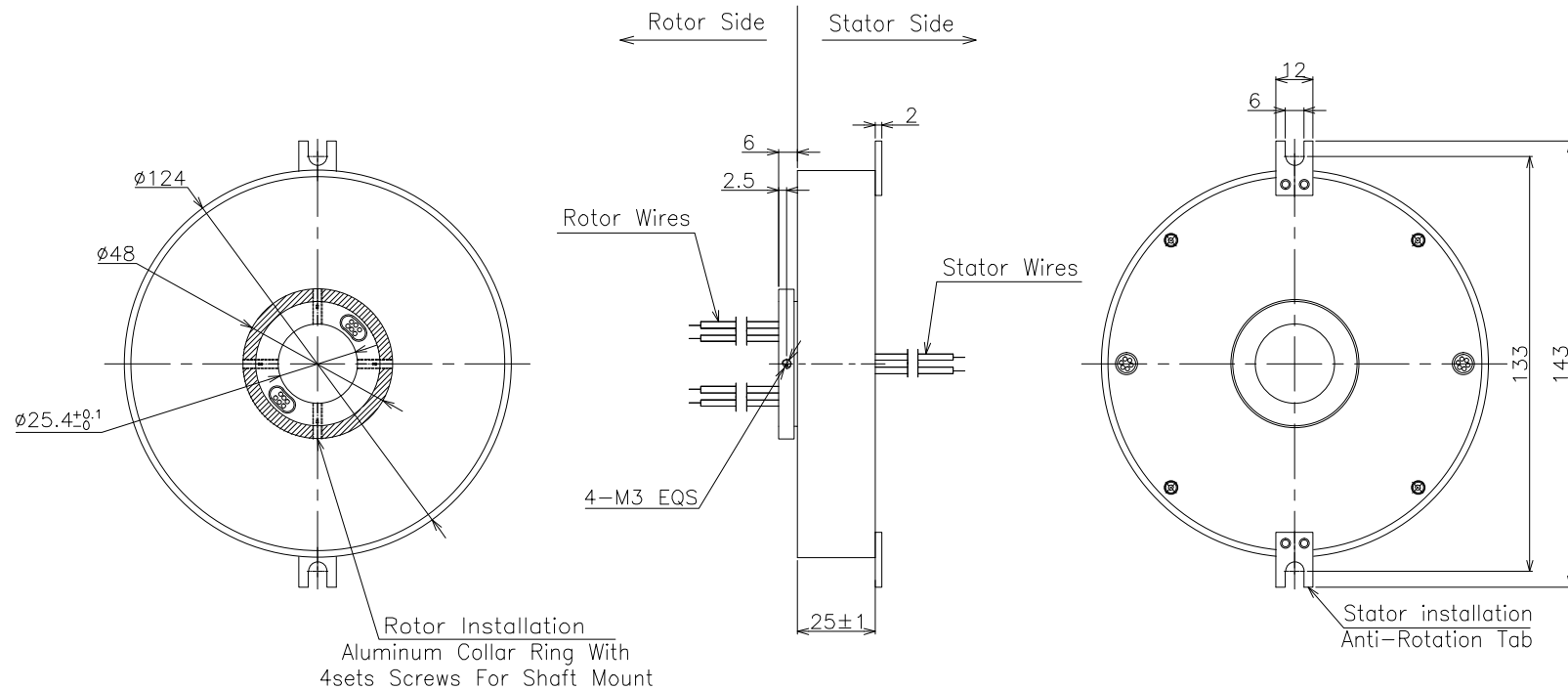

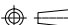


MARK	CONTENT OF AMENDMENT	DATE	DRAW

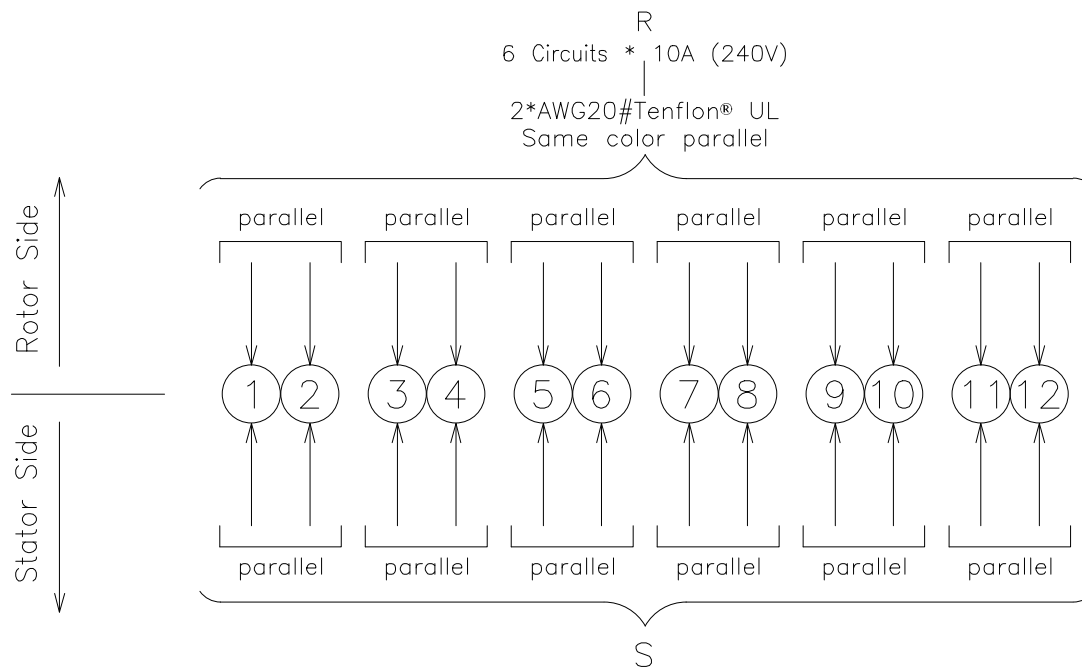
This document is the property of JINPAT Electronics Co., Ltd (ShenZhen) (Hereafter "JINPAT"). It is lent and is to be returned upon request. The contents of this document are confidential and constitute trade secrets propriety to JINPAT. Its contents document nor its contents shall be disclosed to any unauthorized person copied or published without JINPAT prior written consent.  
COPY RIGHT © 2019 JINPAT ELECTRONICS Co., Ltd (ShenZhen).



 <b>TDS Precision Products</b> TDS Precision Products GmbH Industriestrasse 1a CH-8157 Dielsdorf T + 41 44 885 30 80 info@tds-pp.com www.tds-pp.com	MODEL	LPK025-0610				
	Customer code	JP31-643-10HW	TITLE	Outline Drawing		
UNIT	mm	TOL UNLESS SPECIFIED	DESIGN	HJ	DATE	2019.06.17
SCALE	1:1	LINEAR 0--18 ±0.1 >18--80 ±0.15 >80--250 ±0.2 ANGLE x' ±0.5°	CHECKED	PYX	DATE	2019.06.17
PROJ.			REV.	A0	PAGE	1/2

MARK	CONTENT OF AMENDMENT	DATE	DRAW

This document is the property of JINPAT Electronics Co., Ltd (ShenZhen) (Hereafter "JINPAT"). It is lent and is to be returned upon request. The contents of this document are confidential and constitute trade secrets propriety to JINPAT. Its contents document nor its contents shall be disclosed to any unauthorized person copied or published without JINPAT prior written consent.  
COPY RIGHT © 2019 JINPAT ELECTRONICS Co., Ltd (ShenZhen).



Electronic & Electric		Mechanical		
Circuits	Total	12 CKT	Working Speed	0~35rpm
	Detail	6x10A	Inner Diameter	∅25.4mm
Rating Voltage		240V	Contact Material	Precious Metal
Dielectric Strength		300VAC@50Hz	Housing Material	Aluminum Alloy
Insulation Resistance		≥300MΩ@300VDC	Lead Wire Length	Stator:300mm Rotor:300mm
Environment		Remarks		
Working Temperature		-20°C~+60°C	Application	/
Working Humidity		≤60%RH	Other	/
IP	IP40	Note: "P" stands for power, "S" stands for signal.		

**TDS Precision Products**  
TDS Precision Products GmbH  
Industriestrasse 1a  
CH-8157 Dielsdorf  
T + 41 44 885 30 80  
info@tds-pp.com  
www.tds-pp.com

MODEL		LPK025-0610				
Customer code	JP31-643-10HW	TITLE	Wiring Diagram			
UNIT	mm	TOL UNLESS SPECIFIED	DESIGN	HJ	DATE	2019.06.17
SCALE	1:1	LINEAR 0--18 ±0.1 >18--80 ±0.15 >80--250 ±0.2 ANGLE x° ±0.5°	CHECKED	PYX	DATE	2019.06.17
PROJ.		REV.	A0	PAGE	2/2	