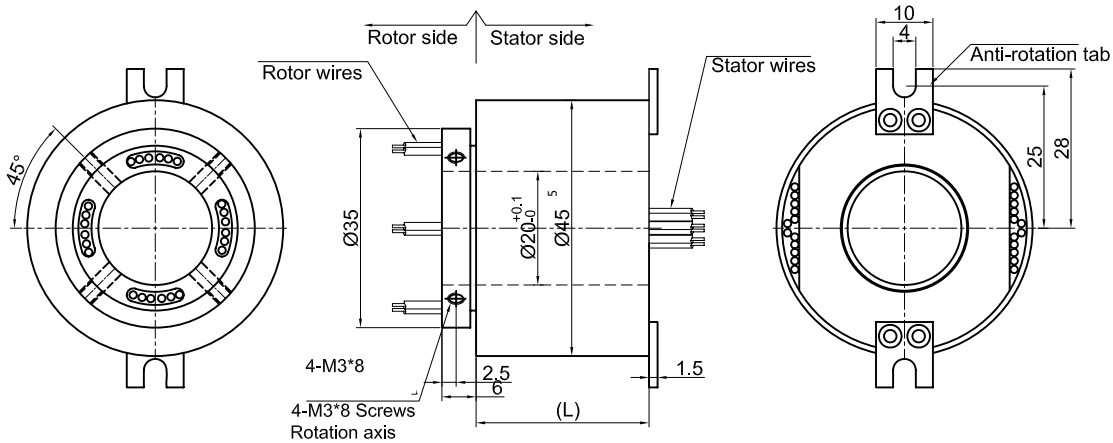


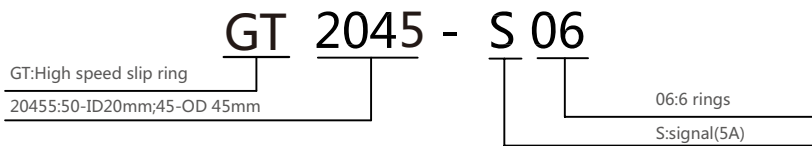
Gt2045Series

Compact, 45mm od through-hole diameter of 20mm (applicable to $\leq 20\text{mm}$) standard series integral precision conductive slip ring.

*Note: if the inner hole less than 20 mm is needed, it can be solved by adding inner sleeve.



Part# Explanation



Part# List

| Gt2045 Series Parts# List | | |
|---------------------------|-----------|---------------|
| Part# | Signal/5A | Length-L (mm) |
| GT2045-S02 | 2 | 30.4 |
| GT2045-S03 | 3 | 30.4 |
| GT2045-S04 | 4 | 30.4 |
| GT2045-S06 | 6 | 30.4 |
| GT2045-S08 | 8 | 44.2 |
| GT2045-S10 | 10 | 44.2 |
| GT2045-S12 | 12 | 44.2 |
| GT2045-S14 | 14 | 58 |
| GT2045-S16 | 16 | 58 |
| GT2045-S18 | 18 | 58 |
| GT2045-S20 | 20 | 71.8 |
| GT2045-S22 | 22 | 71.8 |
| GT2045-S24 | 24 | 71.8 |

Note: N channels 10A rings parallel can be used as 1 channel N*10A current. For example: 2 rings 10A parallel could be used as 1 wires 20A.
 10A, 5A (signal) can combine freely in any way. It can be customized based on standard slip ring, please contact customer service for more details.

Specifications

| Electrical Data | | |
|-----------------------|---|--|
| Parameter | Value | |
| | Power | Signal |
| Rated Voltage | 0~240VAC/VDC | 0~240VAC/VDC |
| Insulation Resistance | $\geq 500\text{M}\Omega/500\text{VDC}$ | $\geq 500\text{M}\Omega/500\text{VDC}$ |
| Lead Wires | AWG22Teflon | AWG22Teflon |
| Lead Length | Standard 300mm | |
| Dielectric Strength | 500VAC@50Hz, 60s | |
| Electrical Noise | <0.03 Ω | |
| Mechanical Data | | |
| Parameter | Value | |
| Working Life | 10 Million revs | |
| Rotating Speed | 1~1800RPM | |
| Working Temperature | -30 $^{\circ}\text{C}$ ~80 $^{\circ}\text{C}$ | |
| Operating Humidity | 0~85% RH | |
| Contact Material | Gold-plated | |
| Housing Material | aluminium alloy | |
| Torque | 0.1N.m ; +0.03N.m/6rings | |
| Protection Grade | IP51 | |

Lead Wires Color Code

| Ring | 1 | 2 | 3 | 4 | 5 | 6 | 7 | 8 | 9 | 10 | 11 | 12 |
|------|-----|-----|-----|-----|-----|-----|-----|-----|-----|-----|-----|-----|
| Code | BLK | RED | YLW | GRN | BLU | WHT | BLK | RED | YLW | GRN | BLU | WHT |

Note: 6 wires for 1 group color, from 7-12, repeat the same color as 1...6, indicated with number code pipe.