

SVTS E Series

Open Slip Rings



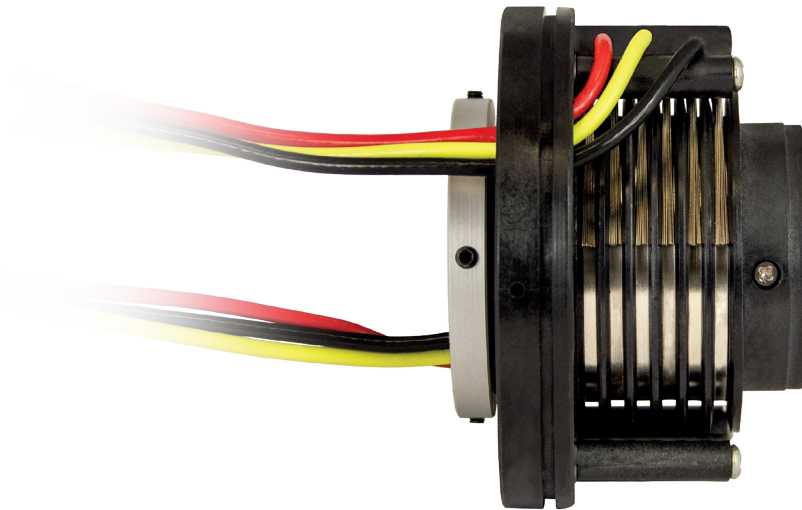
Cost effective



Through-bore



Easy integration



The open E series provides high performances while keeping the Slip Ring compact in size and at a competitive price. Available with through holes with diameters ranging from 25 mm to 60 mm and currents from 20 A to 60 A.

The affordable rotary joints of the E series are ideal for integration into machine structures where there are no particular risks of contamination.

Benefits

Cost-effective

Easy integration

Main applications

Wind turbines









Rotating billboards

Rotary tables





Cable reels

Palletisers

Product code (go to page 9 for the detailed coding system)

SVTS E   -  -  -   /   -     /     -   -   

E Series  Model  IP grade¹  Flange type  Power circuits  Signal circuits

 Cable length (brush side)  Cable length (ring side)  Temperature range²  Special options³

¹ Only IP00

² Only Standard [ST]

³ 20A circuits [001]; 40A circuits [002]; 60A circuits [003]

Features

Current	20A: 1xAWG14 (each circuit) 40A: 2xAWG14 (each circuit) 60A: 3xAWG14 (each circuit)
Voltage	400 VAC / 400 VDC
Cables	Tin plated - PVC insulation
Cables length	Standard: 500mm; custom cable length increase possible as multiples of 500mm
Dielectric strength	1000 VAC @ 60Hz @ 60 sec
Insulation resistance	> 1000 M Ω /500 VDC
Nominal speed	300 rpm (higher speed upon request)
Dynamic contact resistance	< 10 m Ω
Bearings	Steel
Housing	ABS
Temperature	-20°C +80°C
Protection	IP00
Expected lifetime	10 ⁸ revolutions (depending on speed, environmental conditions and size)

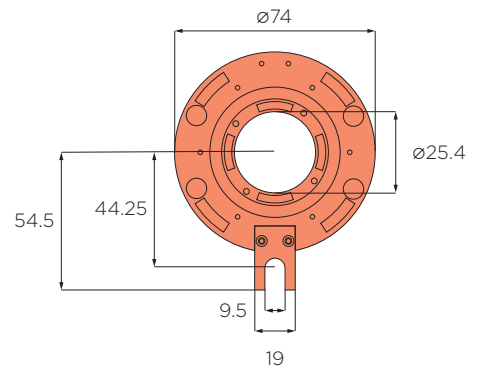
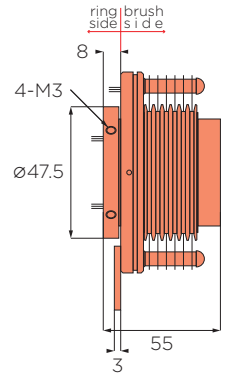
Combinations

Electric	Fluidic (combined solutions)
Signals	Air
Power	Oil
	Gas
	Water

Customizations

Cables		
--------	--	--

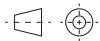
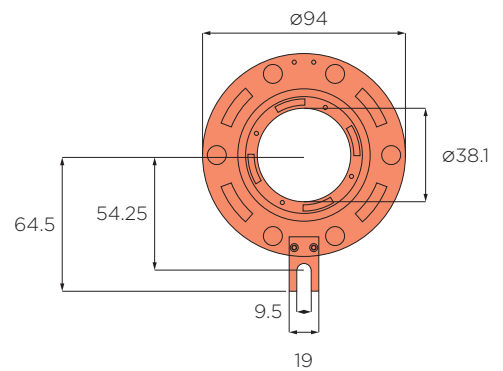
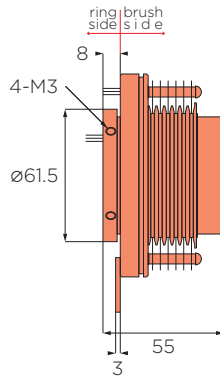
SVTS E 01



Custom cable length increase possible as multiples of 500mm

Model	Number of circuits		Color code p.82
	Total	Power 20A 40A	
SVTS E 01-R-A-03/00-...-001	3	3 -	CC 9
SVTS E 01-R-A-03/00-...-002	3	- 3	CC 9

SVTS E 02

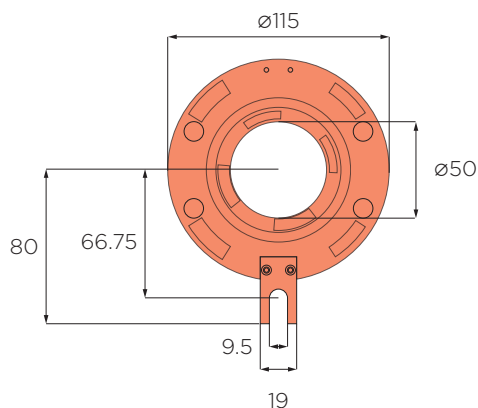
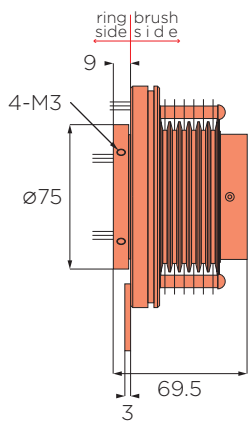


Custom cable length increase possible as multiples of 500mm

Model	Number of circuits		Color code p.82
	Total	Power 20A 40A	
SVTS E 02-R-A-03/00-...-001	3	3 -	CC 9
SVTS E 02-R-A-03/00-...-002	3	- 3	CC 9

All dimensions in millimeters, unless otherwise specified

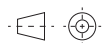
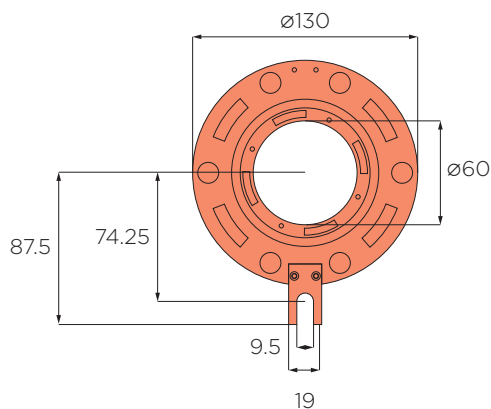
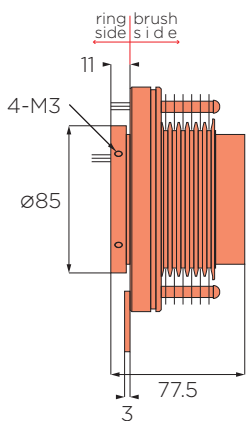
SVTS E 03



Custom cable length increase possible as multiples of 500mm

Model	Number of circuits			Color code p.82	
	Total	Power 20A	40A		60A
SVTS E 03-R-A-03/00-...-001	3	3	-	-	CC 9
SVTS E 03-R-A-03/00-...-002	3	-	3	-	CC 9
SVTS E 03-R-A-03/00-...-003	3	-	-	3	CC 9

SVTS E 04



Custom cable length increase possible as multiples of 500mm

Model	Number of circuits			Color code p.82	
	Total	Power 20A	40A		60A
SVTS E 04-R-A-03/00-...-001	3	3	-	-	CC 9
SVTS E 04-R-A-03/00-...-002	3	-	3	-	CC 9
SVTS E 04-R-A-03/00-...-003	3	-	-	3	CC 9

All dimensions in millimeters, unless otherwise specified

Color code

CC 7

Power	
Color	Ring no.
RD ●	1
YE ●	2
BK ●	3
BU ●	4
GN ●	5
WHO ○	6

and repeat

Signal	
Color	Ring no.
RD ●	1
YE ●	2
BK ●	3
BU ●	4
GN ●	5
WHO ○	6
VT ●	7
GY ●	8
BN ●	9
OG ●	10
DBU ●	11
KH ●	12

and repeat

CC 8

Power	
Color	Ring no.
RD ●	1
YE ●	2
BK ●	3
BU ●	4
GN ●	5
WHO ○	6
VT ●	7
GY ●	8
BN ●	9
OG ●	10

and repeat

Signal	
Color	Ring no.
RD ●	1
YE ●	2
BK ●	3
BU ●	4
GN ●	5
WHO ○	6

and repeat

CC 9

Power	
Color	Ring no.
RD ●	1
YE ●	2
BK ●	3

and repeat

Hello,
how can I help you?



TDS Precision Products GmbH
Industriestrasse 1a
CH-8157 Dielsdorf

T + 41 44 885 30 80
info@tds-pp.com
www.tds-pp.com