

# SVTS C Series

## Through-bore Slip Rings



Many customisations



Through-bore



Power, signals & fieldbus



The hollow shaft Slip Rings C Series provides an economical readily available solution when a compact through-bore configuration is required to be easily mounted on the customers' mechanics. Available in a wide range of sizes and models starting from 3 mm up to over 100 mm through-bore diameter. The use of fibre brush technology and the ability to use gold-gold technology for signal circuits ensure long life and low electrical noise allowing high data rate field bus transmission. The extreme flexibility of the C series rotary joints also makes it possible to customise configurations, such as for the use of special cables or connectors, at customer's request.

## Benefits

Transmission of electric power/signals and fieldbuses in one unit

Mountable on the shaft

Many sizes

Many customisations

Combinable with fluidic rotary joints and FORJ

Cost-effective

## Main applications

Packaging

Automatic machines

Filling machines

Capping machines

Labelling machines

Converting machines

Machine tools

Rotary tables

Robots

Palletisers

Medical / pharmaceutical

Cable reels

## Product code (go to page 9 for the detailed coding system)

SVTS C   -  -  -   /   -     /     -   -   

C Series     Model     IP grade<sup>1</sup>     Flange type     Power circuits     Signal circuits

 Cable length (brush side)     Cable length (ring side)     Temperature range<sup>2</sup>     Special options<sup>3</sup>

<sup>1</sup> IP51 [S]; IP54 [T]; IP65 [U]

<sup>2</sup> Standard [ST]; Extended [ET]

<sup>3</sup> Pneumatic Ø6mm [OP1]; pneumatic Ø10mm [OP2]; Ethernet 100BaseT [E1M]; Ethernet 1000BaseT [E1G]

## Features

Current	2A: AWG26 5A: AWG22 15A: AWG14 20A:AWG14
Voltage	
Power	600 VAC / 600 VDC
Signals	240 VAC / 240 VDC
Cables	Tin plated (power circuits); silver plated (signal circuits) PTFE insulated / colour coded
Cables length	Standard: 500mm*; custom cable length increase possible as multiples of 500mm*
Dielectric strength	
Power	1500 VAC @ 60Hz @ 60 sec
Signals	500 VAC @ 60Hz @ 60 sec
Insulation resistance	
Power	> 1000 MΩ / 500 VDC
Signals	> 500 MΩ / 500 VDC
Dynamic contact resistance	< 10 mΩ
Nominal speed	up to 500 rpm (others on request)
Bearings	Steel
Housing	ABS; Alluminium
Temperature	-20°C / +80°C (-40°C as option)
Protection	IP51 (IP54 and IP65 as option)
Expected lifetime	10 <sup>8</sup> revolutions** (depending on speed, environmental conditions and size)

\*SVTS C 01, SVTS C 02: 250mm

\*\*SVTS C01, SVTS C 02: 10<sup>7</sup> revolutions

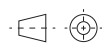
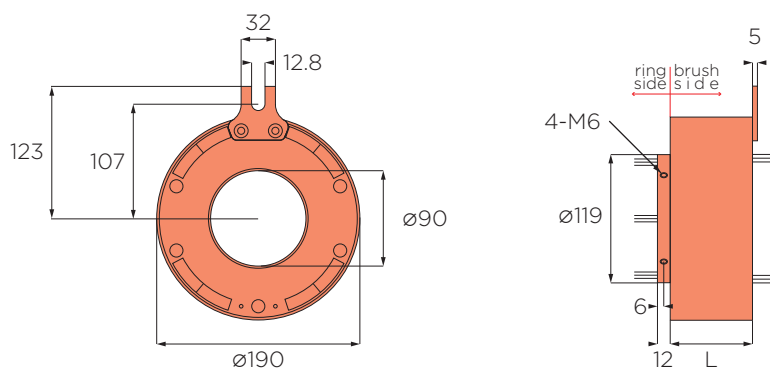
## Combinations

Electric	Fieldbus	Fluidic (combined solutions)
Signals	Ethernet	Air
	Profinet	Oil
	Canbus	Gas
	RS 232	Water

## Customizations

Cables	Mechanical design	Flange
Materials	Treatments	Cable exits

# SVTS C 10



Custom cable length increase possible as multiples of 500mm

Model	Number of circuits			L		Color code	
	Total	Power 20A	Signals 5A	IP51	IP65	IP51 p. 82	IP65
SVTS C 10-X-A-06/00	6	6	-	76.5	105	CC 5	CC 7
SVTS C 10-X-A-00/12	12	-	12	76.5	105	CC 5	CC 7
SVTS C 10-X-A-12/00	12	12	-	106.5	135	CC 5	CC 7
SVTS C 10-X-A-06/12	18	6	12	106.5	135	CC 5	CC 7
SVTS C 10-X-A-00/24	24	-	24	106.5	135	CC 5	CC 7
SVTS C 10-X-A-18/00	18	18	-	106.5	165	CC 5	CC 7
SVTS C 10-X-A-12/12	24	12	12	136.5	165	CC 5	CC 7
SVTS C 10-X-A-06/24	30	6	24	136.5	165	CC 5	CC 7
SVTS C 10-X-A-00/36	36	-	36	136.5	165	CC 5	CC 7
SVTS C 10-X-A-24/00	24	24	-	136.5	195	CC 5	CC 7
SVTS C 10-X-A-18/12	30	18	12	136.5	195	CC 5	CC 7
SVTS C 10-X-A-12/24	36	12	24	136.5	195	CC 5	CC 7
SVTS C 10-X-A-06/36	42	6	36	136.5	195	CC 5	CC 7
SVTS C 10-X-A-00/48	48	-	48	136.5	195	CC 5	CC 7
SVTS C 10-X-A-30/00	30	30	-	196.5	225	CC 5	CC 7
SVTS C 10-X-A-24/12	36	24	12	196.5	225	CC 5	CC 7
SVTS C 10-X-A-18/24	42	18	24	196.5	225	CC 5	CC 7
SVTS C 10-X-A-12/36	48	12	36	196.5	225	CC 5	CC 7
SVTS C 10-X-A-06/48	54	6	48	196.5	225	CC 5	CC 7
SVTS C 10-X-A-00/60	60	-	60	196.5	225	CC 5	CC 7
SVTS C 10-X-A-36/00	36	36	-	227	255.5	CC 5	CC 7
SVTS C 10-X-A-30/12	42	30	12	227	255.5	CC 5	CC 7
SVTS C 10-X-A-24/24	48	24	24	227	255.5	CC 5	CC 7
SVTS C 10-X-A-18/36	54	18	36	227	255.5	CC 5	CC 7
SVTS C 10-X-A-12/48	60	12	48	227	255.5	CC 5	CC 7
SVTS C 10-X-A-06/60	66	6	60	227	255.5	CC 5	CC 7
SVTS C 10-X-A-00/72	72	-	72	227	255.5	CC 5	CC 7
SVTS C 10-X-A-42/00	42	42	-	257	285.5	CC 5	CC 7
SVTS C 10-X-A-36/12	48	36	12	257	285.5	CC 5	CC 7
SVTS C 10-X-A-30/24	54	30	24	257	285.5	CC 5	CC 7
SVTS C 10-X-A-24/36	60	24	36	257	285.5	CC 5	CC 7
SVTS C 10-X-A-18/48	66	18	48	257	285.5	CC 5	CC 7
SVTS C 10-X-A-12/60	72	12	60	257	285.5	CC 5	CC 7
SVTS C 10-X-A-06/72	78	6	72	257	285.5	CC 5	CC 7
SVTS C 10-X-A-00/84	84	-	84	257	285.5	CC 5	CC 7
SVTS C 10-X-A-48/00	48	48	-	287	315.5	CC 5	CC 7
SVTS C 10-X-A-42/12	54	42	12	287	315.5	CC 5	CC 7
SVTS C 10-X-A-36/24	60	36	24	287	315.5	CC 5	CC 7
SVTS C 10-X-A-30/36	66	30	36	287	315.5	CC 5	CC 7
SVTS C 10-X-A-24/48	72	24	48	287	315.5	CC 5	CC 7
SVTS C 10-X-A-18/60	78	18	60	287	315.5	CC 5	CC 7
SVTS C 10-X-A-12/72	84	12	72	287	315.5	CC 5	CC 7
SVTS C 10-X-A-06/84	90	6	84	287	315.5	CC 5	CC 7
SVTS C 10-X-A-00/96	96	-	96	287	315.5	CC 5	CC 7

All dimensions in millimeters, unless otherwise specified

## CC 4

Signal				
	Shrink Tube <span style="color:red">■</span>	Shrink Tube <span style="color:blue">■</span>	Shrink Tube <span style="color:green">■</span>	Shrink Tube <span style="color:black">■</span>
Color	Ring no.	Ring no.	Ring no.	Ring no.
RD <span style="color:red">●</span>	1	2	3	4
GN <span style="color:green">●</span>	5	6	7	8
YE <span style="color:yellow">●</span>	9	10	11	12
VT <span style="color:purple">●</span>	13	14	15	16
GY <span style="color:grey">●</span>	17	18	19	20
BK <span style="color:black">●</span>	21	22	23	24
BU <span style="color:blue">●</span>	25	26	27	28
DBU <span style="color:darkblue">●</span>	29	30	31	32
BN <span style="color:brown">●</span>	33	34	35	36
OG <span style="color:orange">●</span>	37	38	39	40
WH <span style="color:white">○</span>	41	42	43	44
KH <span style="color:tan">●</span>	45	46	47	48
WH-RD <span style="color:red">○</span>	49	50	51	52
WH-BK <span style="color:black">○</span>	53	54	55	56

## CC 5

Power	
Color	Ring no.
RD <span style="color:red">●</span>	1
YE <span style="color:yellow">●</span>	2
BK <span style="color:black">●</span>	3
BU <span style="color:blue">●</span>	4
GN <span style="color:green">●</span>	5
WH <span style="color:white">○</span>	6
VT <span style="color:purple">●</span>	7
GY <span style="color:grey">●</span>	8
BN <span style="color:brown">●</span>	9
OG <span style="color:orange">●</span>	10
DBU <span style="color:darkblue">●</span>	11
KH <span style="color:tan">●</span>	12

and repeat

Signal	
Color	Ring no.
RD <span style="color:red">●</span>	1
YE <span style="color:yellow">●</span>	2
BK <span style="color:black">●</span>	3
BU <span style="color:blue">●</span>	4
GN <span style="color:green">●</span>	5
WH <span style="color:white">○</span>	6
VT <span style="color:purple">●</span>	7
GY <span style="color:grey">●</span>	8
BN <span style="color:brown">●</span>	9
OG <span style="color:orange">●</span>	10
DBU <span style="color:darkblue">●</span>	11
KH <span style="color:tan">●</span>	12

and repeat

## CC 6

Power	
Color	Ring no.
RD <span style="color:red">●</span>	1
YE <span style="color:yellow">●</span>	2
BK <span style="color:black">●</span>	3
BU <span style="color:blue">●</span>	4
GN <span style="color:green">●</span>	5
WH <span style="color:white">○</span>	6
VT <span style="color:purple">●</span>	7
GY <span style="color:grey">●</span>	8
BN <span style="color:brown">●</span>	9
OG <span style="color:orange">●</span>	10
DBU <span style="color:darkblue">●</span>	11
KH <span style="color:tan">●</span>	12

and repeat

Signal	
Color	Ring no.
RD <span style="color:red">●</span>	1
YE <span style="color:yellow">●</span>	2
BK <span style="color:black">●</span>	3
BU <span style="color:blue">●</span>	4
GN <span style="color:green">●</span>	5
WH <span style="color:white">○</span>	6
VT <span style="color:purple">●</span>	7
GY <span style="color:grey">●</span>	8
BN <span style="color:brown">●</span>	9
OG <span style="color:orange">●</span>	10

and repeat

# Color code

## CC 7

Power	
Color	Ring no.
RD ●	1
YE ●	2
BK ●	3
BU ●	4
GN ●	5
WHO ○	6

and repeat

Signal	
Color	Ring no.
RD ●	1
YE ●	2
BK ●	3
BU ●	4
GN ●	5
WHO ○	6
VT ●	7
GY ●	8
BN ●	9
OG ●	10
DBU ●	11
KH ●	12

and repeat

## CC 8

Power	
Color	Ring no.
RD ●	1
YE ●	2
BK ●	3
BU ●	4
GN ●	5
WHO ○	6
VT ●	7
GY ●	8
BN ●	9
OG ●	10

and repeat

Signal	
Color	Ring no.
RD ●	1
YE ●	2
BK ●	3
BU ●	4
GN ●	5
WHO ○	6

and repeat

## CC 9

Power	
Color	Ring no.
RD ●	1
YE ●	2
BK ●	3

and repeat

Hello,  
how can I help you?



**TDS** Precision Products

TDS Precision Products GmbH  
Industriestrasse 1a  
CH-8157 Dielsdorf

T + 41 44 885 30 80  
info@tds-pp.com  
www.tds-pp.com