



TDS Precision Products GmbH
Industriestrasse 1a
CH-8157 Dielsdorf

T + 41 44 885 30 80
info@tds-pp.com
www.tds-pp.com

Contents

servo**tecnica**

THROUGH-BORE

Model	In ø	Out ø	Page
SVTS C 01	3mm	17mm	40
SVTS C 02	4,5mm	22mm	40
SVTS C 03	12,7mm	54mm	41
SVTS C 04	25,4mm	78mm	41
SVTS C 05	38,1mm	99mm	42
SVTS C 05 - Ethernet	38,1mm	99mm	42
SVTS C 05 - Single pneumatic passage	-	99mm	43
SVTS C 06	50mm	120mm	44
SVTS C 07	60mm	135mm	45
SVTS C 08	70mm	155mm	46
SVTS C 09	80mm	180mm	47
SVTS C 10	90mm	190mm	48
SVTS C 11	100mm	203mm	49

SVTS C Series

Through-bore Slip Rings



THROUGH-BORE



MANY CUSTOMISATIONS



POWER, SIGNALS & FIELDBUS

The hollow shaft Slip Rings C Series provides an economical readily available solution when a compact through-bore configuration is required to be easily mounted on the customers' mechanics. Available in a wide range of sizes and models starting from 3 mm up to over 100 mm through-bore diameter. The use of fibre brush technology and the ability to use gold-gold technology for signal circuits ensure long life and low electrical noise allowing high data rate field bus transmission. The extreme flexibility of the C series rotary joints also makes it possible to customise configurations, such as for the use of special cables or connectors, at customer's request.

Benefits

Transmission of electric power/signals and fieldbuses in one unit

Mountable on the shaft

Many sizes

Many customisations

Combinable with fluidic rotary joints and FORJ

Cost-effective

Main applications

Packaging

Automatic machines

Filling machines

Capping machines

Labelling machines

Converting machines

Machine tools

Rotary tables

Robots

Palletisers

Medical / pharmaceutical

Cable reels

Product code (go to page 9 for the detailed coding system)

SVTS C - - - / - / - -

- Series
- Model
- IP grade¹
- Flange type
- Power circuits
- Signal circuits
- Cable length (brush side)
- Cable length (ring side)
- Temperature range²
- Special options³

¹ IP51 [S]; IP54 [T]; IP65 [U]

² Standard [ST]; Extended [ET]

³ Pneumatic Ø6mm [OP1]; pneumatic Ø10mm [OP2]; Ethernet 100BaseT [E1M]; Ethernet 1000BaseT [E1G]

Features

Current	
Power	10A: AWG16 15A: AWG14 20A:AWG14
Signals	2A: AWG26 5A: AWG22
Voltage	
Power	600 VAC / 600 VDC
Signals	240 VAC / 240 VDC
Cables	Tin plated (power circuits); silver plated (signal circuits) PTFE insulated / colour coded
Cables length	Standard: 500mm*; custom cable length increase possible as multiples of 500mm*
Insulation resistance	
Power	> 1000 MΩ / 500 VDC
Signals	> 500 MΩ / 500 VDC
Dynamic contact resistance	< 0,01 Ω
Bearings	Steel
Housing	ABS (hard plastic)
Temperature	-20°C / +80°C (-40°C as option)
Protection	IP51 (IP54 and IP65 as option)
Expected lifetime	10 ⁸ revolutions** (depending on speed, environmental conditions and size)

*SVTS C 01, SVTS C 02: 250mm

**SVTS C01, SVTS C 02: 10⁷ revolutions

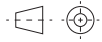
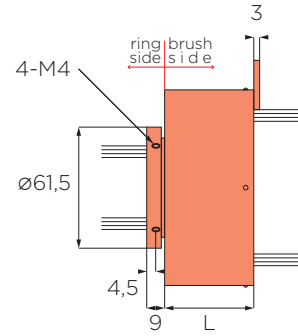
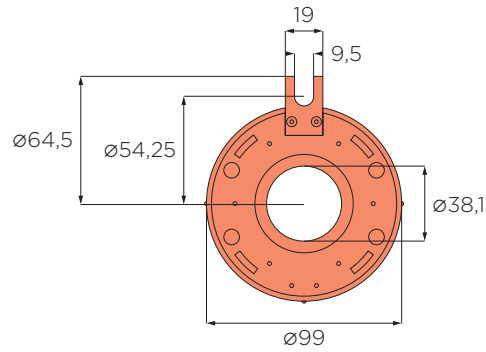
Combinations

Electric	Fieldbus	Fluidic (combined solutions)
Signals	Ethernet	Air
	Profinet	Oil
	Canbus	Gas
	RS 232	Water

Customizations

Cables	Mechanical design	Flange
Materials	Treatments	Cable exits

SVTS C 05



Custom cable length increase possible as multiples of 500mm

Model	Number of circuits			L	
	Total	Power 15A	Signals 2A	IP51	IP65
SVTS C 05-X-A-06/00	6	6	-	45.2	65.2
SVTS C 05-X-A-00/12	12	-	12	45.2	65.2
SVTS C 05-X-A-12/00	12	12	-	69.2	89.2
SVTS C 05-X-A-06/12	18	6	12	69.2	89.2
SVTS C 05-X-A-00/24	24	-	24	69.2	89.2
SVTS C 05-X-A-18/00	18	18	-	93.2	113.2
SVTS C 05-X-A-12/12	24	12	12	93.2	113.2
SVTS C 05-X-A-06/24	30	6	24	93.2	113.2
SVTS C 05-X-A-00/36	36	-	36	93.2	113.2
SVTS C 05-X-A-24/00	24	24	-	117.2	137.2
SVTS C 05-X-A-18/12	30	18	12	117.2	137.2
SVTS C 05-X-A-12/24	36	12	24	117.2	137.2
SVTS C 05-X-A-06/36	42	6	36	117.2	137.2
SVTS C 05-X-A-00/48	48	-	48	117.2	137.2

Ethernet option*

Model	Number of circuits			L	
	Total	Power 15A	Ethernet	IP51	IP65
SVTS C 05-X-A-00/00-...-E1M	5	-	100BaseT	45.2	65.2
SVTS C 05-X-A-06/00-...-E1M	11	6	100BaseT	69.2	89.2
SVTS C 05-X-A-12/00-...-E1M	17	12	100BaseT	93.2	113.2
SVTS C 05-X-A-18/00-...-E1M	23	18	100BaseT	117.2	137.2
SVTS C 05-X-A-00/00-...-E1G	9	-	1000BaseT	69.2	89.2
SVTS C 05-X-A-06/00-...-E1G	15	6	1000BaseT	93.2	113.2
SVTS C 05-X-A-12/00-...-E1G	21	12	1000BaseT	117.2	137.2

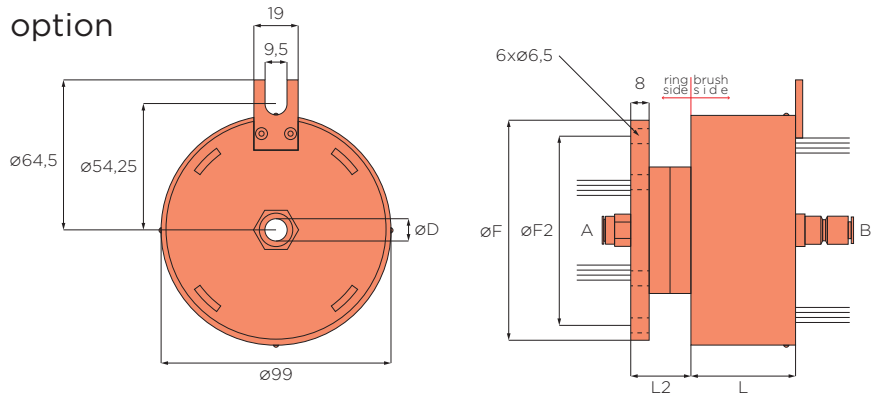
*CAT5e Ethernet cable and CAT6 RJ45 connectors included

All dimensions in millimeters, unless otherwise specified

Specifications subject to change.

SVTS C 05

Single pneumatic passage option



Custom cable length increase possible as multiples of 500mm

Model	N. of circuits		Dimensions								
	Power	Signal	L		L2		D	F		F2	
	15A	2A	IP51	IP65	IP51	IP65	(pneumatic passage)	IP 51	IP65	IP51	IP65
SVTS C 05-X-A-06/00-...-OP1	6	-	45	65	26	14	6	95	130	81	116
SVTS C 05-X-A-00/12-...-OP1	-	12	45	65	26	14	6	95	130	81	116
SVTS C 05-X-A-12/00-...-OP1	12	-	69	89	26	14	6	95	130	81	116
SVTS C 05-X-A-06/12-...-OP1	6	12	69	89	26	14	6	95	130	81	116
SVTS C 05-X-A-00/24-...-OP1	-	24	69	89	26	14	6	95	130	81	116
SVTS C 05-X-A-18/00-...-OP1	18	-	93	113	26	14	6	95	130	81	116
SVTS C 05-X-A-12/12-...-OP1	12	12	93	113	26	14	6	95	130	81	116
SVTS C 05-X-A-06/24-...-OP1	6	24	93	113	26	14	6	95	130	81	116
SVTS C 05-X-A-00/36-...-OP1	0	36	93	113	26	14	6	95	130	81	116
SVTS C 05-X-A-24/00-...-OP1	24	-	117,5	137,5	26	14	6	95	130	81	116
SVTS C 05-X-A-18/12-...-OP1	18	12	117,5	137,5	26	14	6	95	130	81	116
SVTS C 05-X-A-12/24-...-OP1	12	24	117,5	137,5	26	14	6	95	130	81	116
SVTS C 05-X-A-06/36-...-OP1	6	36	117,5	137,5	26	14	6	95	130	81	116
SVTS C 05-X-A-00/48-...-OP1	-	48	117,5	137,5	26	14	6	95	130	81	116
SVTS C 05-X-A-06/00-...-OP2	6	-	45	65	26	14	10	95	130	81	116
SVTS C 05-X-A-00/12-...-OP2	-	12	45	65	26	14	10	95	130	81	116
SVTS C 05-X-A-12/00-...-OP2	12	-	69	89	26	14	10	95	130	81	116
SVTS C 05-X-A-06/12-...-OP2	6	12	69	89	26	14	10	95	130	81	116
SVTS C 05-X-A-00/24-...-OP2	-	24	69	89	26	14	10	95	130	81	116
SVTS C 05-X-A-18/00-...-OP2	18	-	93	113	26	14	10	95	130	81	116
SVTS C 05-X-A-12/12-...-OP2	12	12	93	113	26	14	10	95	130	81	116
SVTS C 05-X-A-06/24-...-OP2	6	24	93	113	26	14	10	95	130	81	116
SVTS C 05-X-A-00/36-...-OP2	-	36	93	113	26	14	10	95	130	81	116
SVTS C 05-X-A-24/00-...-OP2	24	-	117,5	137,5	26	14	10	95	130	81	116
SVTS C 05-X-A-18/12-...-OP2	18	12	117,5	137,5	26	14	10	95	130	81	116
SVTS C 05-X-A-12/24-...-OP2	12	24	117,5	137,5	26	14	10	95	130	81	116
SVTS C 05-X-A-06/36-...-OP2	6	36	117,5	137,5	26	14	10	95	130	81	116
SVTS C 05-X-A-00/48-...-OP2	-	48	117,5	137,5	26	14	10	95	130	81	116



All dimensions in millimeters, unless otherwise specified

Hello,
how can I help you?



TDS Precision Products GmbH
Industriestrasse 1a
CH-8157 Dielsdorf

T + 41 44 885 30 80
info@tds-pp.com
www.tds-pp.com