

# SVTS C Series

## Through-bore Slip Rings



Many customisations



Through-bore



Power, signals & fieldbus



The hollow shaft Slip Rings C Series provides an economical readily available solution when a compact through-bore configuration is required to be easily mounted on the customers' mechanics. Available in a wide range of sizes and models starting from 3 mm up to over 100 mm through-bore diameter. The use of fibre brush technology and the ability to use gold-gold technology for signal circuits ensure long life and low electrical noise allowing high data rate field bus transmission. The extreme flexibility of the C series rotary joints also makes it possible to customise configurations, such as for the use of special cables or connectors, at customer's request.

## Benefits

Transmission of electric power/signals and fieldbuses in one unit

Mountable on the shaft

Many sizes

Many customisations

Combinable with fluidic rotary joints and FORJ

Cost-effective

## Main applications

Packaging

Automatic machines

Filling machines

Capping machines

Labelling machines

Converting machines

Machine tools

Rotary tables

Robots



Palletisers

Medical / pharmaceutical

Cable reels

## Product code (go to page 9 for the detailed coding system)

SVTS C   -  -  -   /   -     /     -   -   

-  Series
-  Model
-  IP grade<sup>1</sup>
-  Flange type
-  Power circuits
-  Signal circuits
-  Cable length (brush side)
-  Cable length (ring side)
-  Temperature range<sup>2</sup>
-  Special options<sup>3</sup>

<sup>1</sup> IP51 [S]; IP54 [T]; IP65 [U]

<sup>2</sup> Standard [ST]; Extended [ET]

<sup>3</sup> Pneumatic Ø6mm [OP1]; pneumatic Ø10mm [OP2]; Ethernet 100BaseT [E1M]; Ethernet 1000BaseT [E1G]

## Features

Current	2A: AWG26 5A: AWG22 15A: AWG14 20A:AWG14
Voltage	
Power	600 VAC / 600 VDC
Signals	240 VAC / 240 VDC
Cables	Tin plated (power circuits); silver plated (signal circuits) PTFE insulated / colour coded
Cables length	Standard: 500mm*; custom cable length increase possible as multiples of 500mm*
Dielectric strength	
Power	1500 VAC @ 60Hz @ 60 sec
Signals	500 VAC @ 60Hz @ 60 sec
Insulation resistance	
Power	> 1000 MΩ / 500 VDC
Signals	> 500 MΩ / 500 VDC
Dynamic contact resistance	< 10 mΩ
Nominal speed	up to 500 rpm (others on request)
Bearings	Steel
Housing	ABS; Alluminium
Temperature	-20°C / +80°C (-40°C as option)
Protection	IP51 (IP54 and IP65 as option)
Expected lifetime	10 <sup>8</sup> revolutions** (depending on speed, environmental conditions and size)

\*SVTS C 01, SVTS C 02: 250mm

\*\*SVTS C01, SVTS C 02: 10<sup>7</sup> revolutions

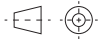
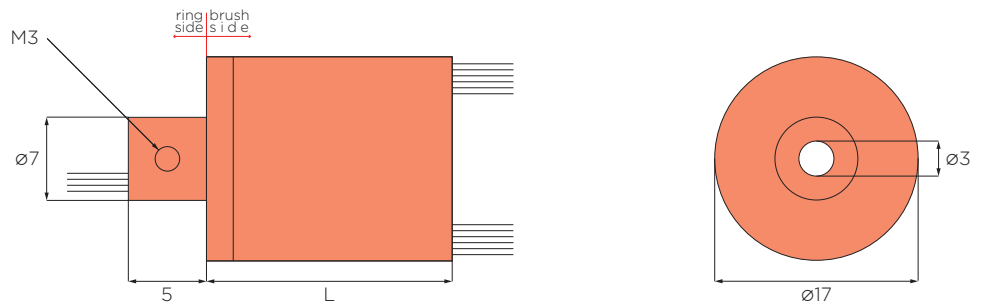
## Combinations

Electric	Fieldbus	Fluidic (combined solutions)
Signals	Ethernet	Air
	Profinet	Oil
	Canbus	Gas
	RS 232	Water

## Customizations

Cables	Mechanical design	Flange
Materials	Treatments	Cable exits

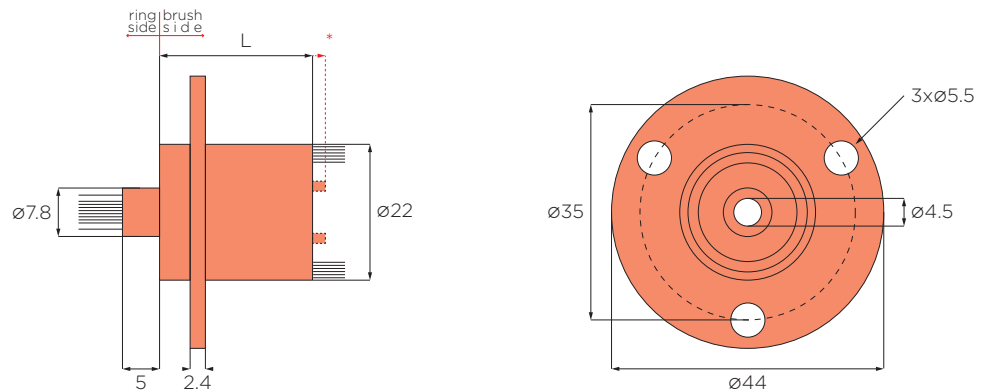
# SVTS C 01



Custom cable length increase possible as multiples of 250mm

Model	Number of circuits			L	Color code p. 82
	Total	Power	Signals 2A		
SVTS C 01-S-A-00/02	2	-	2	13.3	CC 1
SVTS C 01-S-A-00/03	3	-	3	21	CC 1
SVTS C 01-S-A-00/06	6	-	6	21	CC 1
SVTS C 01-S-A-00/08	8	-	8	21	CC 1

# SVTS C 02



\* SVTS C 02-S-A-00/12  
Custom cable length increase possible as multiples of 250mm

Model	Number of circuits			L	Color code p. 82
	Total	Power	Signals 2A		
SVTS C 02-S-A-00/02	2	-	2	19.4	CC 1
SVTS C 02-S-A-00/06	6	-	6	19.4	CC 1
SVTS C 02-S-A-00/08	8	-	8	19.4	CC 1
SVTS C 02-S-A-00/12	12	-	12	26.6 *	CC 1

# Color code

## CC 1

Signal	
Color	Ring no.
RD●	1
GN●	2
YE●	3
VT●	4
GY●	5
BK●	6
BU●	7
DBU●	8
BN●	9
OG●	10
WHO	11
KH●	12
WH-RD○	13
WH-BK○	14
WH-BU○	15
WH-VT○	16
WH-BN○	17
WH-GN○	18
WH-OG○	19
WH-YE○	20
WH-GY○	21
BK-RD●●	22
BK-BU●●	23
YE-GN●●	24

## CC 2

Signal		
Color	Shrink Tube■	Shrink Tube■
Color	Ring no.	Ring no.
RD●	1	2
GN●	3	4
YE●	5	6
VT●	7	8
GY●	9	10
BK●	11	12
BU●	13	14
DBU●	15	16
BN●	17	18
OG●	19	20
WHO	21	22
KH●	23	24
WH-RD○	25	26
WH-BK○	27	28
WH-BU○	29	30
WH-VT○	31	32
WH-BN○	33	34
WH-GN○	35	36

## CC 3

Power			
Shrink Tube■		Shrink Tube■	
Color	Ring no.	Color	Ring no.
RD●	1	BK	2
WHO	3	YE	4

Signal		
Color	Shrink Tube■	Shrink Tube■
Color	Ring no.	Ring no.
RD●	1	2
GN●	3	4
YE●	5	6
VT●	7	8
GY●	9	10
BK●	11	12
BU●	13	14
DBU●	15	16
BN●	17	18
OG●	19	20
WHO	21	22
KH●	23	24
WH-RD○	25	26
WH-BK○	27	28
WH-BU○	29	30
WH-VT○	31	32
WH-BN○	33	34
WH-GN○	35	36
WH-OG○	37	38
WH-YE○	39	40
WH-GY○	41	42
BK-RD●●	43	44
BK-BU●●	45	46

**Hello,**  
how can I help you?



**TDS** Precision Products

TDS Precision Products GmbH  
Industriestrasse 1a  
CH-8157 Dielsdorf

T + 41 44 885 30 80  
info@tds-pp.com  
www.tds-pp.com