

# SVTS A Series

Radio frequency capsule Slip Rings



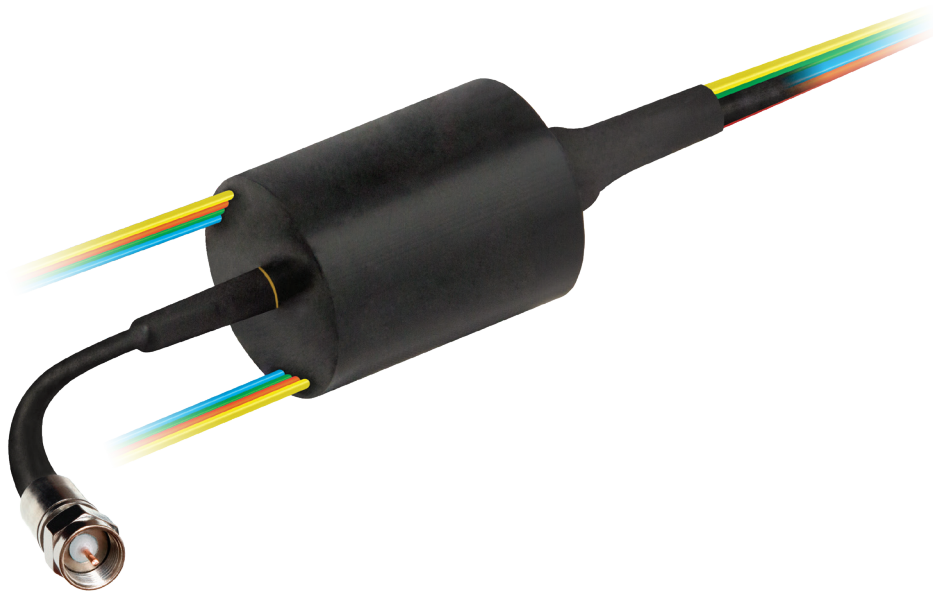
Hi-def video transmission



High circuit density



Compact



The radio frequency A Series Slip Rings are used to transfer up to 24 electrical signals from a stationary to a rotating structure, in conjunction with an RF channel.

The RF channel can transfer up to 3 GHz. Designed specifically for transferring high definition video signals (1080p / 3G-SDI or 1080i/HD-SDI), this series can fit RG178, RG316 and RG174 type coaxial cables.

## Benefits

RF coaxial connection

High definition video transmission

Optimal signal transmission (gold-gold technology)

Compact

Light

High circuits density

Combinable with fluidic rotary joints and FORJ

Cost-effective

## Main applications

RF systems

High definition video systems / CCTV

Optical heads

## Product code (go to page 9 for the detailed coding system)

SVTS A 06 - □ - □ - ☆☆ / ○○ - ◇◇◇◇ / ☆☆☆☆ - △△ - ☆☆☆

A Series    06 Model    □ IP grade<sup>1</sup>    □ Flange type    ☆ Power circuits    ○ Signal circuits

◇ Cable length (brush side)    ☆ Cable length (ring side)    △ Temperature range<sup>2</sup>    ☆ Special options<sup>3</sup>

<sup>1</sup> Only IP51 [S]

<sup>2</sup> Standard [ST]; Extended [ET]

<sup>3</sup> RG174 [01\*]; RG316 [02\*]; RG178 [03\*]; RG179 [04\*]; MMCX [\*\*1]; SMA [\*\*2]; SMB [\*\*3]; MCX [\*\*4]; BNC [\*\*5]

## Features

Current	2A: AWG26
Voltage	240 VDC / 240 VAC
Cables	Silver plated / PTFE insulated / colour coded RG174, RG136, RG178, RG179
Cables length	Standard: 250mm; custom cable length increase possible as multiples of 250mm
Dielectric strength	500 VAC @ 60Hz @ 60 sec
Insulation resistance	> 500 MΩ / 500 VDC
Dynamic contact resistance	< 10 mΩ
Nominal speed	100 rpm
Bearings	Miniature high-precision stainless steel ball bearings
Housing	ABS
Contact	Gold-gold
Temperature	-20°C to +80°C (-40°C as option)
Protection	IP51
Connector	MMCX, SMA, SMB, MCX, BNC
Expected lifetime	3x10 <sup>6</sup> revolutions (depending on speed, environmental conditions and size)

## Combinations

### Electric

Signals

Video

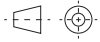
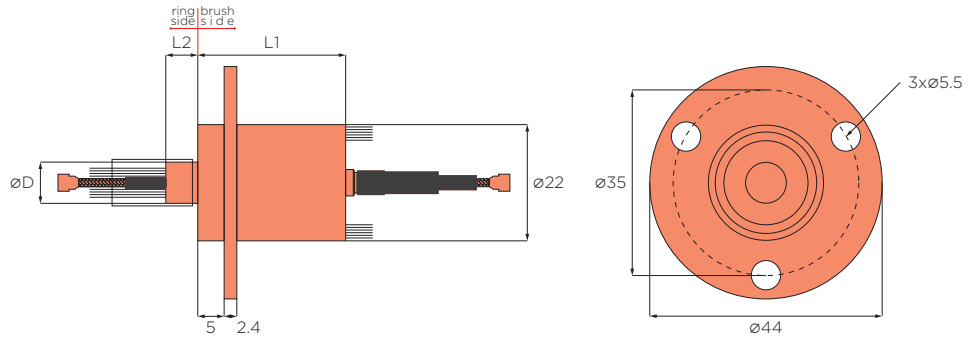
## Customizations

Cables  
Materials

Mechanical design

Flange

# SVTS A 06

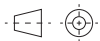
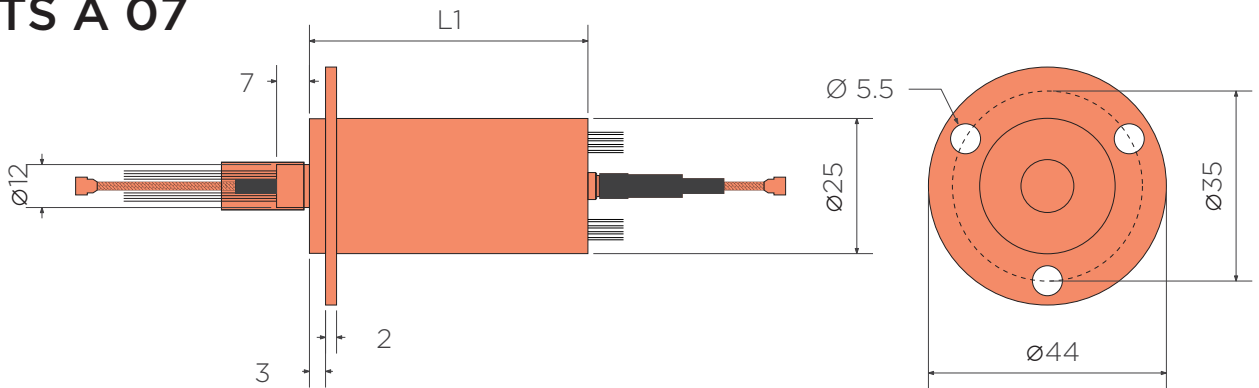


See page 28 for different flange options  
 Custom cable length increase possible as multiples of 250mm

Model	Number of circuits Signals 2A	Dimensions			Housing	Color code p. 82
		D	L1	L2		
SVTS A 06-S-A-00/08	8	8	24	6	ABS	CC 1
SVTS A 06-S-A-00/12	12	8	28	6	ABS	CC 1
SVTS A 06-S-A-00/18	18	8.8	38	6.8	ABS	CC 1
SVTS A 06-S-A-00/24	24	12	43	8.2	ABS	CC 1

**+NEW**

# SVTS A 07

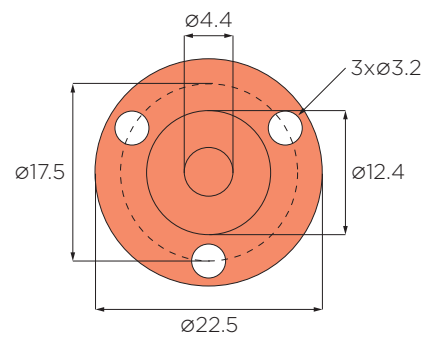
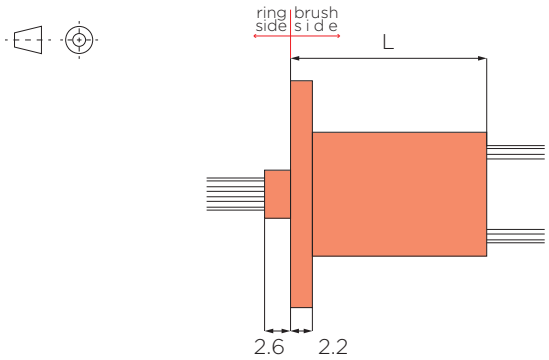


See page 28 for different flange options  
 Custom cable length increase possible as multiples of 250mm

Model	Number of circuits Signals 2A	L1	Housing	Color code p. 82
SVTS A 07-S-A-00/36	36	64	Al	CC 3

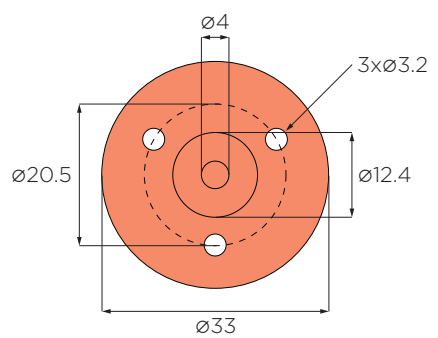
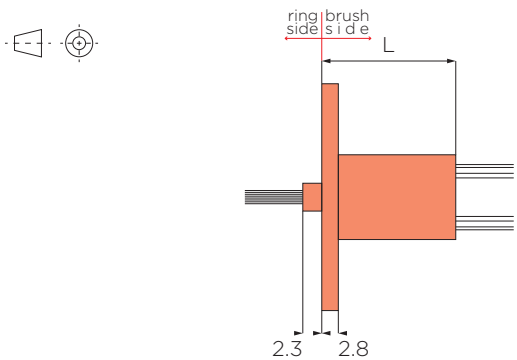
All dimensions in millimeters, unless otherwise specified

SVTSA 01



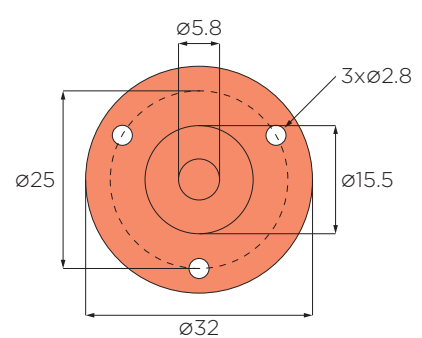
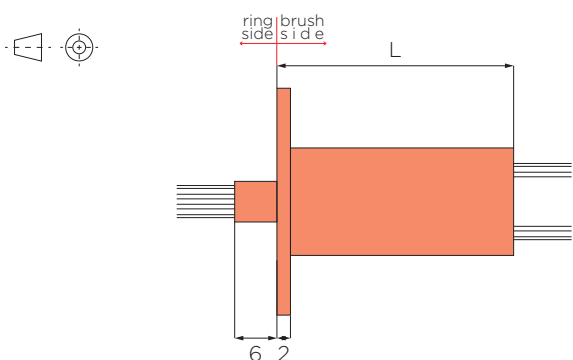
E FLANGE

SVTSA 01



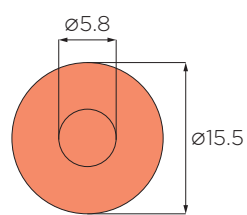
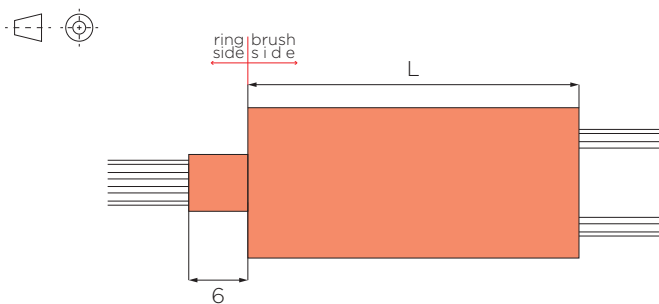
F FLANGE

SVTSA 02



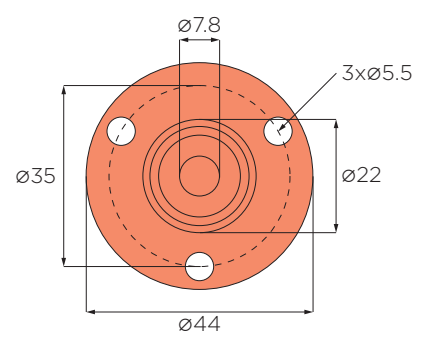
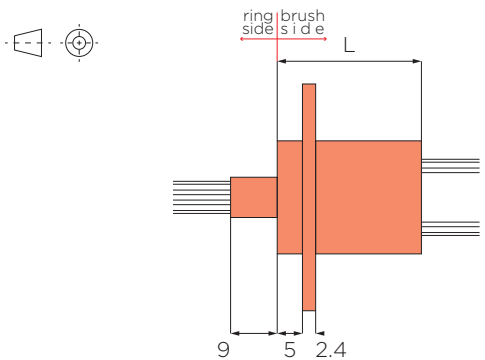
A FLANGE (STANDARD)

SVTSA 02



B FLANGE

SVTSA 03 | SVTSA 06

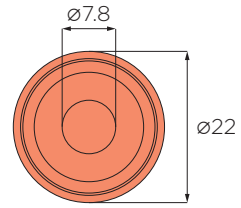
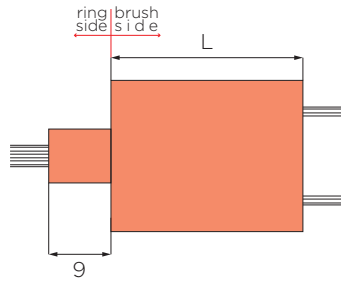
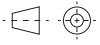


A FLANGE (STANDARD)

All dimensions in millimeters, unless otherwise specified

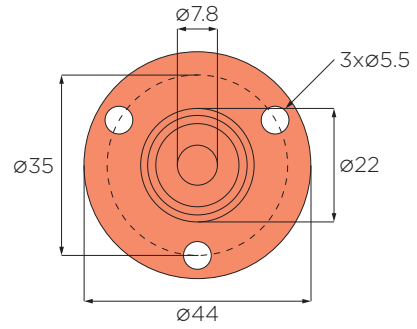
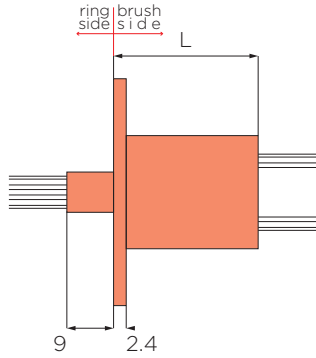
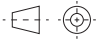
Specifications subject to change.

SVTS A 03 | SVTS A 06



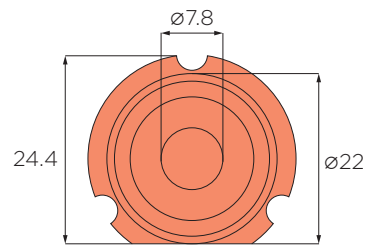
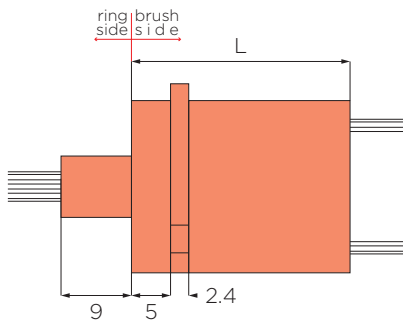
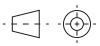
B FLANGE

SVTS A 03 | SVTS A 06



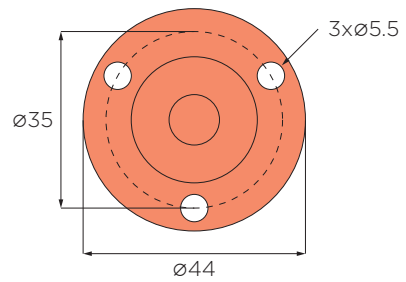
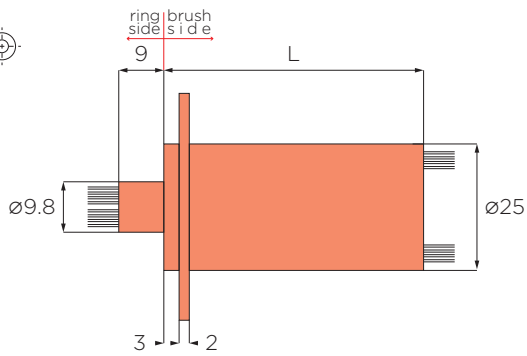
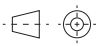
C FLANGE

SVTS A 03 | SVTS A 06



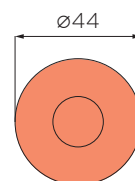
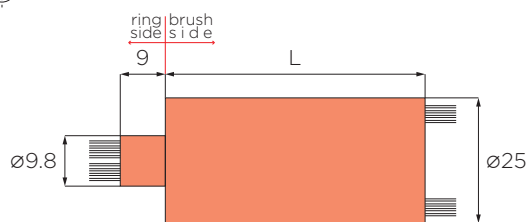
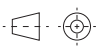
D FLANGE

SVTS A 04 | SVTS A 07



A FLANGE (STANDARD)

SVTS A 04 | SVTS A 07



B FLANGE

# Color code

## CC 1

Signal	
Color	Ring no.
RD●	1
GN●	2
YE●	3
VT●	4
GY●	5
BK●	6
BU●	7
DBU●	8
BN●	9
OG●	10
WH○	11
KH●	12
WH-RD○●	13
WH-BK○●	14
WH-BU○●	15
WH-VT○●	16
WH-BN○●	17
WH-GN○●	18
WH-OG○●	19
WH-YE○●	20
WH-GY○●	21
BK-RD●●	22
BK-BU●●	23
YE-GN●●	24

## CC 2

Signal		
Color	Shrink Tube■	Shrink Tube■
Color	Ring no.	Ring no.
RD●	1	2
GN●	3	4
YE●	5	6
VT●	7	8
GY●	9	10
BK●	11	12
BU●	13	14
DBU●	15	16
BN●	17	18
OG●	19	20
WH○	21	22
KH●	23	24
WH-RD○●	25	26
WH-BK○●	27	28
WH-BU○●	29	30
WH-VT○●	31	32
WH-BN○●	33	34
WH-GN○●	35	36

## CC 3

Power			
Shrink Tube■		Shrink Tube■	
Color	Ring no.	Color	Ring no.
RD●	1	BK	2
WH○	3	YE	4

Signal		
Color	Shrink Tube■	Shrink Tube■
Color	Ring no.	Ring no.
RD●	1	2
GN●	3	4
YE●	5	6
VT●	7	8
GY●	9	10
BK●	11	12
BU●	13	14
DBU●	15	16
BN●	17	18
OG●	19	20
WH○	21	22
KH●	23	24
WH-RD○●	25	26
WH-BK○●	27	28
WH-BU○●	29	30
WH-VT○●	31	32
WH-BN○●	33	34
WH-GN○●	35	36
WH-OG○●	37	38
WH-YE○●	39	40
WH-GY○●	41	42
BK-RD●●	43	44
BK-BU●●	45	46

**Hello,**  
how can I help you?



TDS Precision Products GmbH  
Industriestrasse 1a  
CH-8157 Dielsdorf

T + 41 44 885 30 80  
info@tds-pp.com  
www.tds-pp.com