

SVTS A Series

High current capsule Slip Rings



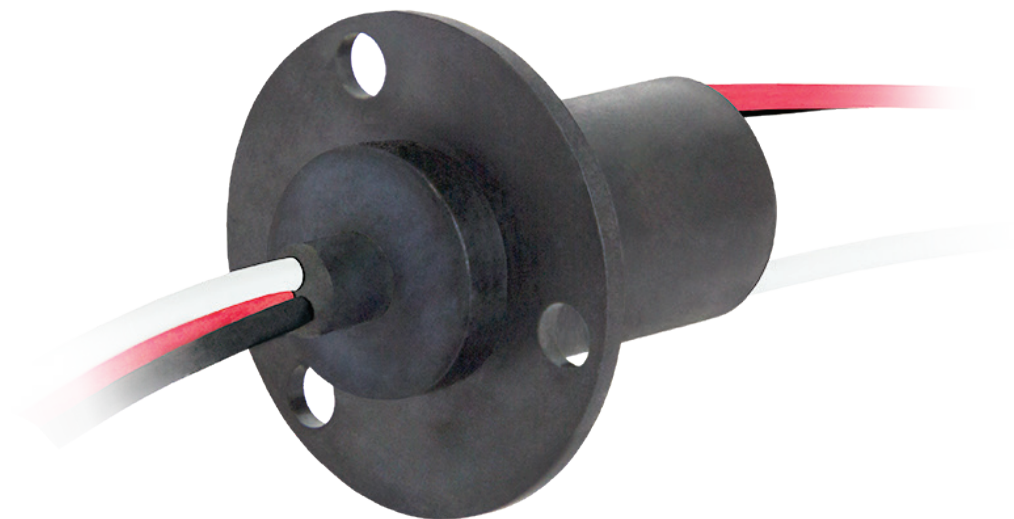
Cost effective



High power



Compact



The high-current capsule A Series Slip Rings, thanks to their extreme compactness, guarantees a low outer speed between rings and brushes, thus to reduce material consumption so as to enhance its lifetime. This Series has been designed keeping flexibility, cost-effectiveness and reliability in mind. Moreover, this Slip Ring family is available in a wide range of configurations, from 3 to 56 circuits. The gold-gold technology used between rings and brushes, minimise noise and interferences between the rings, allowing high data rate and frequency signal transmission.

In addition, the SVTS A 05 model has been designed to guarantee power circuits in a very small footprint (up to 20 A @ 250 VAC).

Benefits

High power in little space

Compact

Light

Cost-effective

Main applications

Wind turbines

Packaging

Packaging

Moving head projectors

Hose & cable reels

Medical / pharmaceutical

Control systems

Product code (go to page 9 for the detailed coding system)

SVTS A 05 - □ - □ - ☆☆ / ○○ - ◇◇◇◇ / ◆◆◆◆ - △△ - ☆☆☆

A Series 05 Model □ IP grade¹ □ Flange type ☆ Power circuits ○ Signal circuits
 ◇ Cable length (brush side) ◆ Cable length (ring side) △ Temperature range² ☆ Special options³

¹ Only IP51 [S]

² Standard [ST]; Extended [ET]

³ 4A circuits [001]; 8A circuits [002]; 10A circuits [003]; 20A circuits [004]

Features

Current	4A: AWG22 6A: AWG20 8A/10A: AWG16 20A: AWG14
Voltage	240 VDC / 240 VAC
Cables	Tin plated / PTFE insulated / colour coded
Cables length	Standard: 250mm; custom cable length increase possible as multiples of 250mm
Dielectric strength	500 VAC @ 60Hz @ 60 sec
Insulation resistance	> 500 MΩ / 500 VDC
Dynamic contact resistance	< 10 mΩ
Nominal speed	250 rpm
Bearings	Miniature high-precision stainless steel ball bearings
Housing	ABS; Alluminium
Contact	Gold-gold
Temperature	-20°C to +80°C (-40°C as option)
Protection	IP51
Expected lifetime	10 ⁷ revolutions (depending on speed, environmental conditions and size)

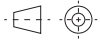
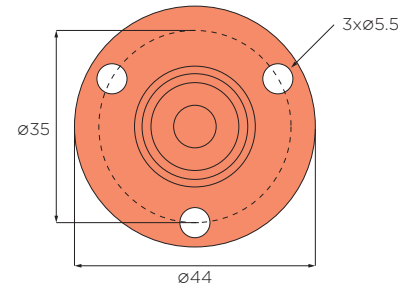
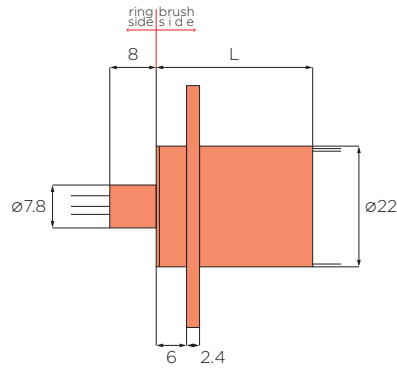
Combinations

Electric	Fluidic (combined solutions)
Power	Air
	Oil
	Water

Customizations

Cables Materials	Mechanical design	Flange
---------------------	-------------------	--------

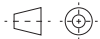
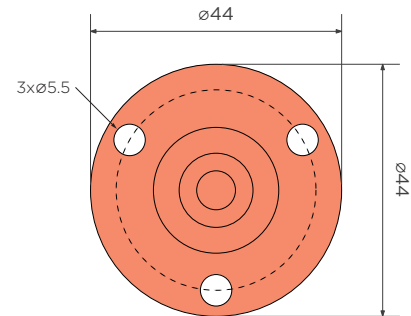
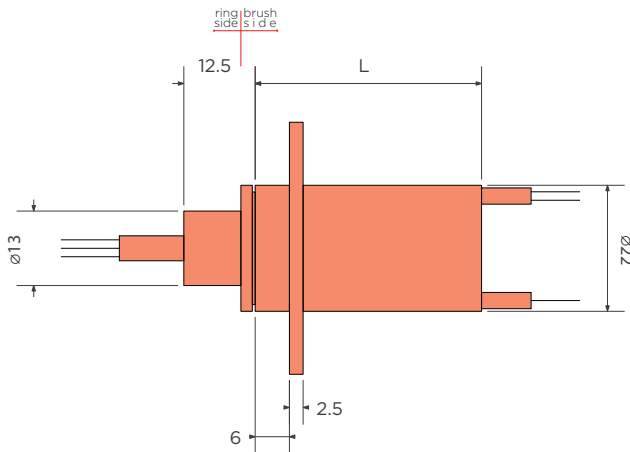
SVTS A 05



See page 28 for different flange options
Custom cable length increase possible as multiples of 250mm

Model	Number of circuits					L	Housing	Color code p. 82
	Total	Power						
		4A	8A	10A	20A			
SVTS A 05-S-A-03/00-...-001	3	3	-	-	-	21	ABS	CC 9
SVTS A 05-S-A-03/00-...-002	3	-	3	-	-	29	ABS	CC 9
SVTS A 05-S-A-03/00-...-003	3	-	-	3	-	35	ABS	CC 9
SVTS A 05-S-A-03/00-...-004	3	-	-	-	3	43	ABS	CC 9

IP65 option

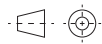
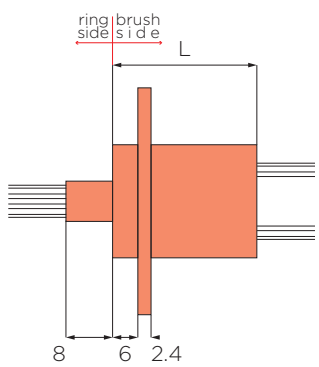
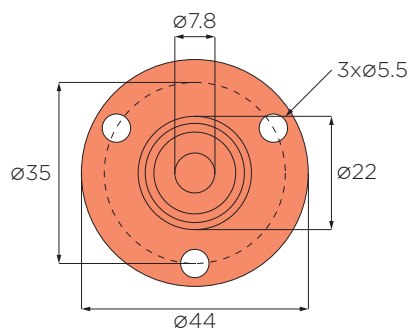


See page 28 for different flange options
Custom cable length increase possible as multiples of 250mm

Model	Number of circuits					L	Housing	Color code p. 82
	Total	Power						
		4A	8A	10A	20A			
SVTS A 05-S-A-03/00-...-001	3	3	-	-	-	28	Al	CC 9
SVTS A 05-S-A-03/00-...-002	3	-	3	-	-	36	Al	CC 9
SVTS A 05-S-A-03/00-...-003	3	-	-	3	-	42	Al	CC 9
SVTS A 05-S-A-03/00-...-004	3	-	-	-	3	50	Al	CC 9

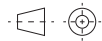
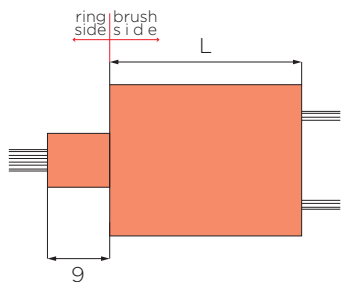
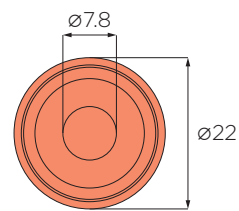
All dimensions in millimeters, unless otherwise specified

A FLANGE (STANDARD)



SVTS A 05

B FLANGE



SVTS A 05

Color code

CC 7

Power	
Color	Ring no.
RD ●	1
YE ●	2
BK ●	3
BU ●	4
GN ●	5
WHO ○	6

and repeat

Signal	
Color	Ring no.
RD ●	1
YE ●	2
BK ●	3
BU ●	4
GN ●	5
WHO ○	6
VT ●	7
GY ●	8
BN ●	9
OG ●	10
DBU ●	11
KH ●	12

and repeat

CC 8

Power	
Color	Ring no.
RD ●	1
YE ●	2
BK ●	3
BU ●	4
GN ●	5
WHO ○	6
VT ●	7
GY ●	8
BN ●	9
OG ●	10

and repeat

Signal	
Color	Ring no.
RD ●	1
YE ●	2
BK ●	3
BU ●	4
GN ●	5
WHO ○	6

and repeat

CC 9

Power	
Color	Ring no.
RD ●	1
YE ●	2
BK ●	3

and repeat

Hello,
how can I help you?



TDS Precision Products

TDS Precision Products GmbH
Industriestrasse 1a
CH-8157 Dielsdorf

T + 41 44 885 30 80
info@tds-pp.com
www.tds-pp.com