

**CATALOG CODE**  
**SA-X.X-XX-XXX**

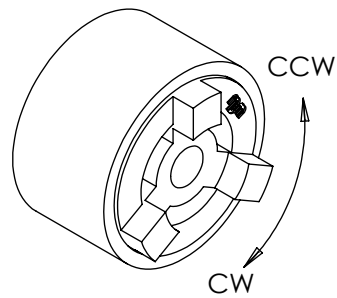
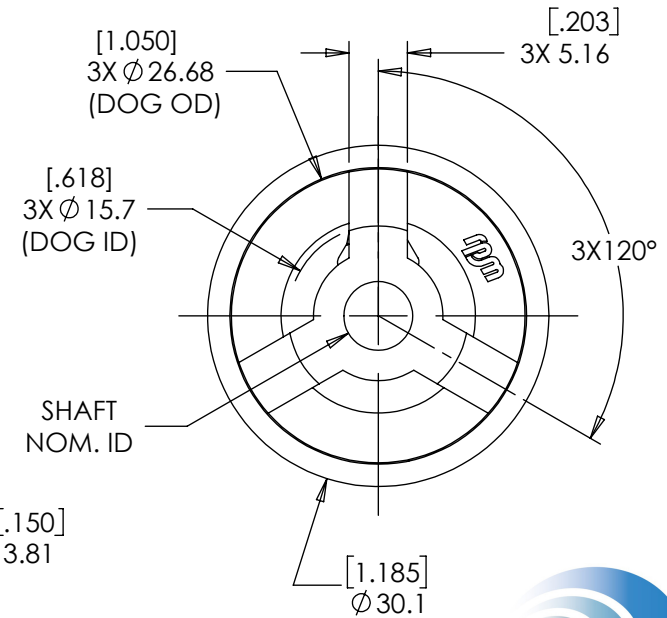
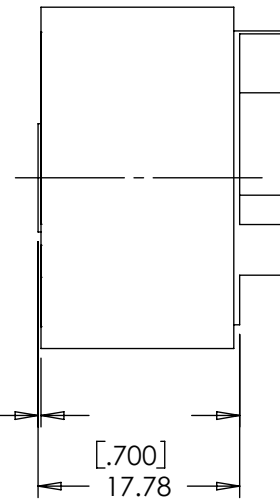
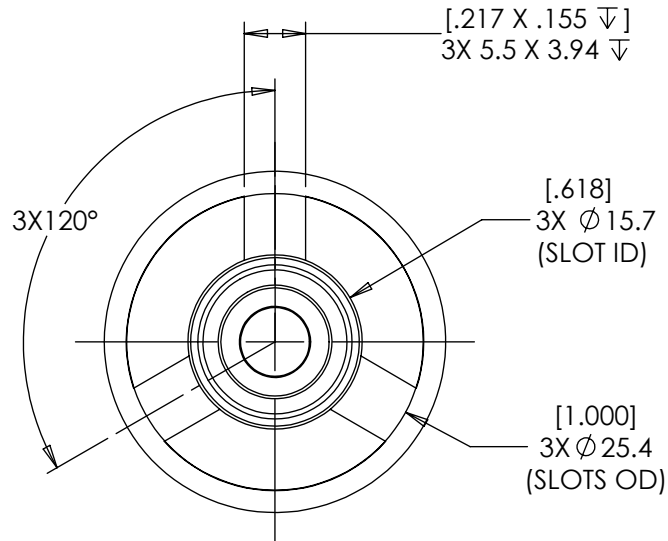
TORQUE Nm
0.2
0.4
0.8
0.95

DIRECTION
CW
CCW

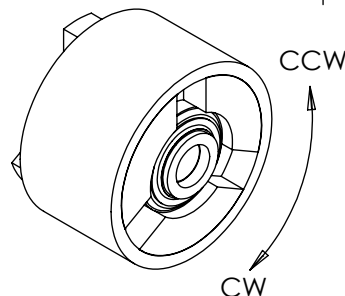
BORE (SHAFT INTERFACE)
6mm
1/4 (IN)
8mm

SHAFT NOM. ID
6mm
1/4"
8mm

DYNAMIC TORQUE	
0.2 ± 0.04 Nm	[1.77 ± 0.355 LB-IN]
0.4 ± 0.08 Nm	[3.54 ± 0.709 LB-IN]
0.8 ± 0.16 Nm	[7.08 ± 1.417 LB-IN]
0.95 ± 0.19 Nm	[8.41 ± 1.684 LB-IN]



SHAFT INPUT



HOUSING INPUT

ALL DIMENSIONS REFERENCE  
SEE CAD MODEL FOR  
UNSPECIFIED FEATURES

**TDS** Precision Products  
TDS Precision Products GmbH  
Industriestrasse 1a  
CH-8157 Dielsdorf  
T + 41 44 885 30 80  
info@tds-pp.com  
www.tds-pp.com

SPECIFICATIONS SUBJECT TO CHANGE

	ECO NO: 02641	PART LIFECYCLE: RELEASED
	APPROVED BY: BOB WAHLSTEDT	DEVELOPMENT CYCLE: PRODUCTION
	APPROVED DATE: 18MAY20	DESCRIPTION:
	PROJECT NO: 0	<b>SALES DRAWING</b>
ENGINEER: BOB WAHLSTEDT		
REELL PRECISION MANUFACTURING 1259 WILLOW LAKE BOULEVARD SAINT PAUL, MINNESOTA 55110-5103, USA	DRAWN BY: DERICK OFFOR	PART NO: SA
THIS PRINT IS THE CONFIDENTIAL PROPERTY OF REELL PRECISION MFG.	THIRD ANGLE PROJECTION 	REV: L
INTERPRET PRINT PER ASME Y14.5M-2009	DIMENSIONS: mm [IN]	SCALE: 1.5:1 DO NOT SCALE DRAWING SHEET 1 OF 1