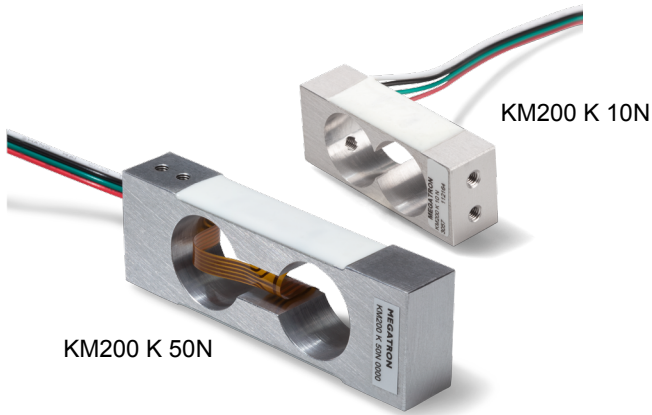


Data sheet for Load Cells

Shear Beam

Series KM200



- Compact shear beam
- Strain gauge
- Measuring body aluminium
- IP65 protection
- Calibration including measurement data

Series KM200 force sensors are double bending beam sensors and characterized by its tight shape and its easy way of fastening.

Data Load Cell

Rated force	10 N	50 N
Rated characteristic value	0,6 mV / V of rated output	1,2 mV / V of rated output
Relative error of characteristic value	≤ 10 % of rated output	
Relative repeatability error	≤ 0,05 % of rated output	≤ 0,03 % of rated output
Relative reversibility error	≤ 0,05 % of rated output	≤ 0,03 % of rated output
Relative linearity error	≤ 0,05 % of rated output	≤ 0,03 % of rated output
Reference straight line	≤ 0,05 % of rated output	≤ 0,03 % of rated output
Relative deviation of zero signal	≤ 3 % of rated output	
Input resistance	350 ±3Ω	410 ±5Ω
Output resistance	350 ±3Ω	
Insulation resistance	≥ 5 GΩ @ 50 V DC	
Rated range of excitation voltage	10 V DC / AC	
Operating range of excitation voltage	≤ 15 V DC / AC	
Rated temperature range	-10 °C .. +70 °C	
Operating temperature range	-10 °C .. +40 °C	
Protection	IP65	
Temperature effect on characteristic value	≤ 0,3 % of rated output / 10 K	≤ 0,03 % of rated output / 10 K
Temperature effect on zero signal	≤ 0,3 % of rated output / 10 K	≤ 0,03 % of rated output / 10 K
Creep under load	≤ 0,05 % of rated output	≤ 0,03 % of rated output
Cable dimension	4 x AWG30	4 x AWG28
Cable length from body	ca. 80 mm	
Body material	Aluminium	
Mass	ca. 15 g	ca. 40 g

Terms according to guideline VDI / VDE / DKD 2638

Data sheet for Load Cells

Shear Beam

Series KM200

Order code

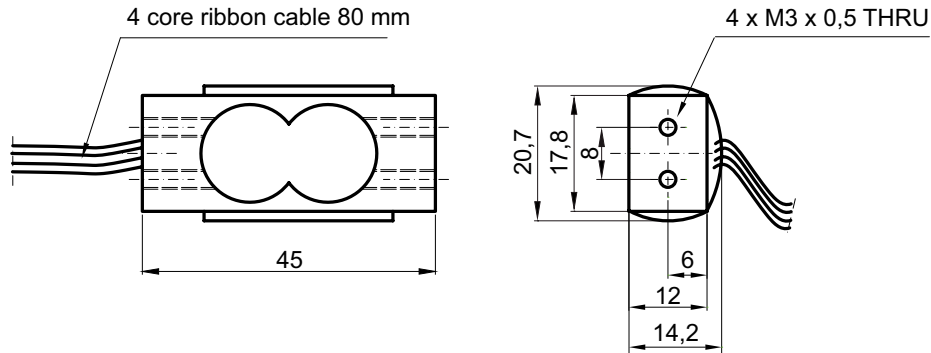
Description	Selection: standard=black/bold, possible options=grey/cursive		
Series:	KM200		
Connecting cable: Cable length 80 mm		K	
Rated force: 10 N 50 N			10N 50N

Accessories (not included)

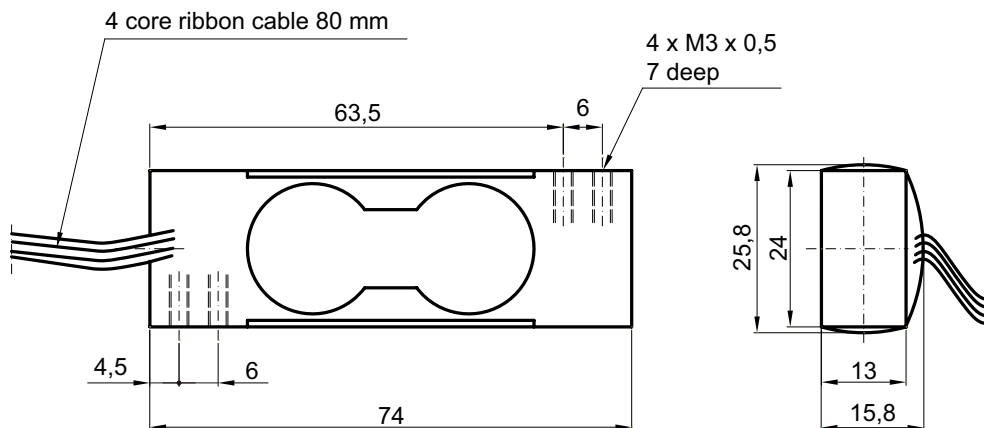
Measuring amplifier	IMA2 DMS
---------------------	----------

Drawing

KM200 10N



KM200 50N



Dimensions in mm

Cable assignment

For tension:

Red: +input
Black: -input
Green: +output
White: -output

For pressure:

Red: +input
Black: -input
Green: -output
White: +output

Connection diagram tension

