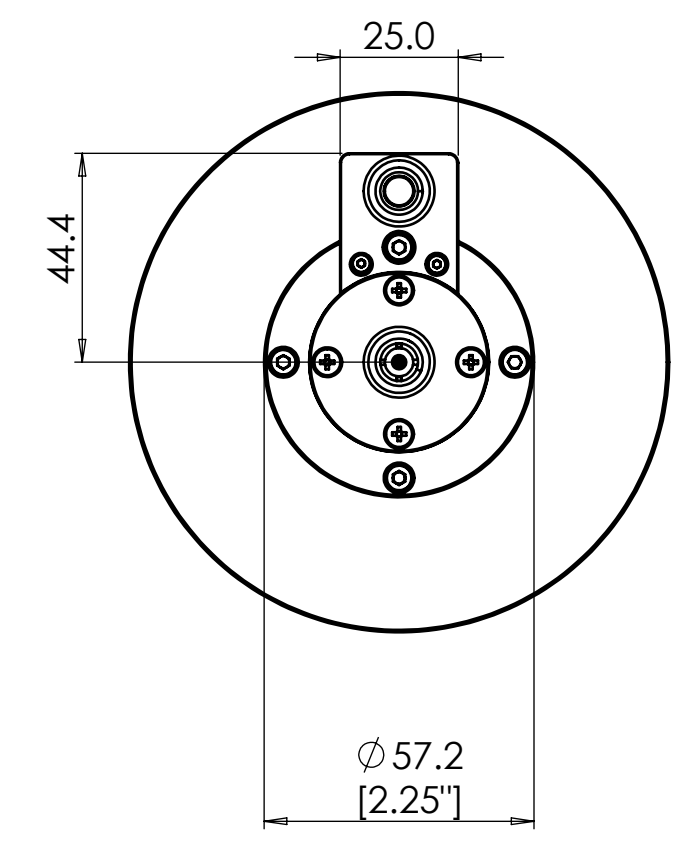
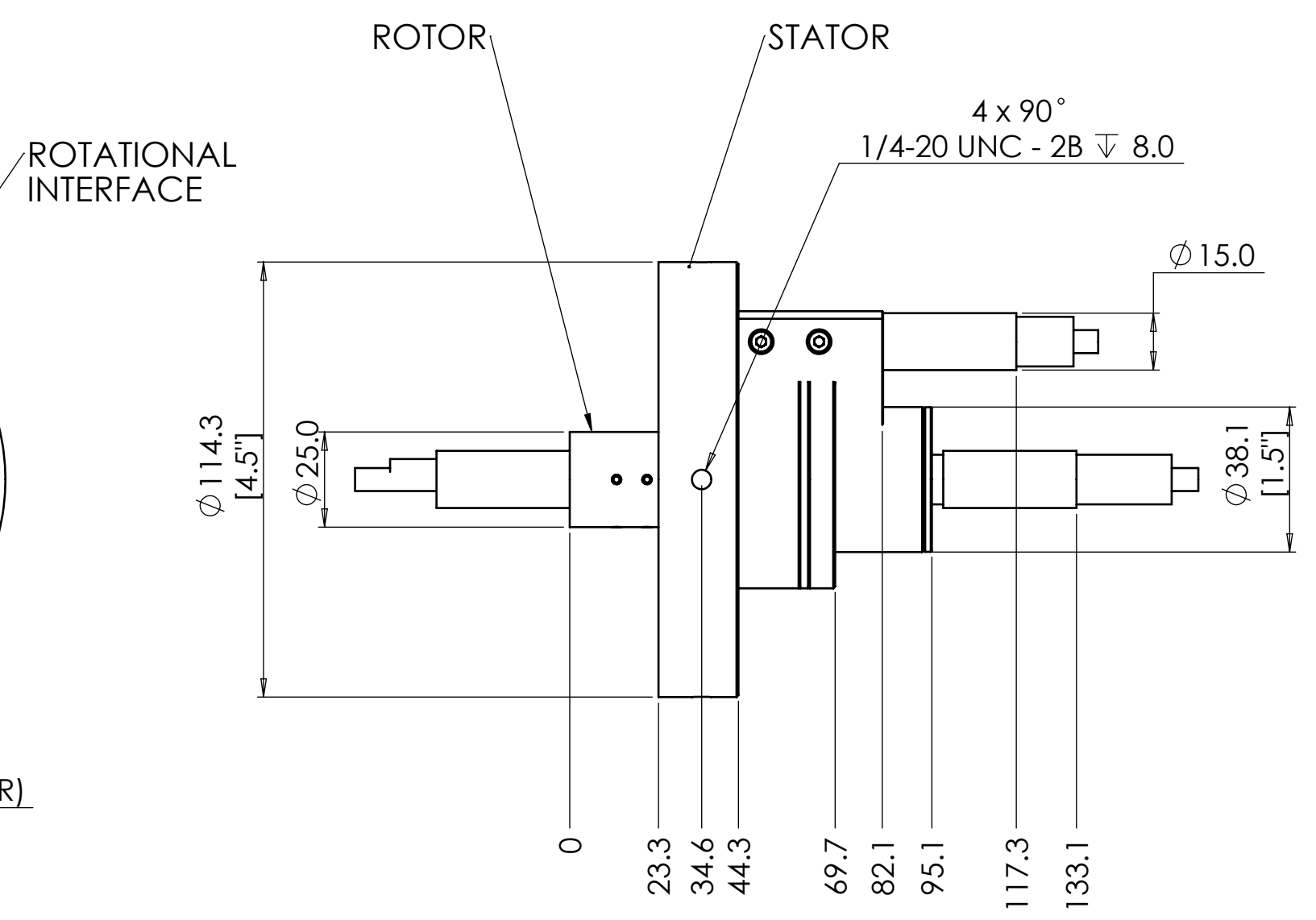
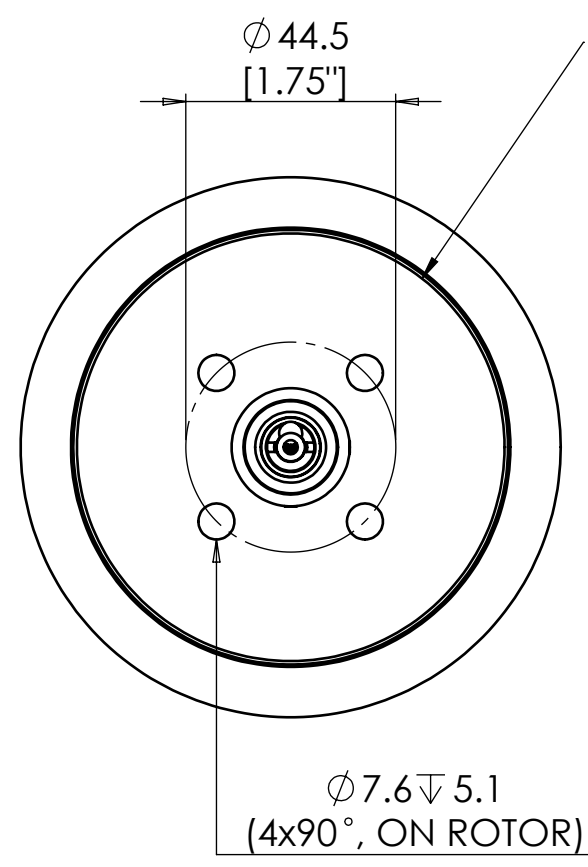


8 7 6 5 4 3 2 1

D C B A



Rotary Joint with high load capacity  
 1. Model : SRP90-02-MJX-155-28-ST  
 2. 600-1000 V, 2 A, 20 AWGx0.5 m

**PROPRIETARY AND CONFIDENTIAL**  
 THE INFORMATION CONTAINED IN THIS DRAWING IS THE SOLE PROPERTY OF PRINCETEL, INC. ANY REPRODUCTION IN PART OR AS A WHOLE WITHOUT THE WRITTEN PERMISSION OF PRINCETEL, INC. IS PROHIBITED.

UNLESS OTHERWISE SPECIFIED:  
 DIMENSIONS ARE IN mm  
 TOLERANCES:  
 ANGULAR:  $\pm 1/2^\circ$   
 TWO PLACE DECIMAL  $\pm 0.100$   
 THREE PLACE DECIMAL  $\pm 0.050$   
 FOUR PLACE DECIMAL  $\pm 0.025$   
 MATERIAL: 303 S.S.

	DATE	NAME	PRINCETEL, INC.		
DRAWN	12/22/2009	R. Z.			
CHECKED		B. Z.	TITLE:		
ENG APPR.			SRP90-02-MJX-155-28-ST		
MFG APPR.			SIZE	DWG. NO.	REV
Q.A.			B	2311-90-02	1.92
Type of Projection: Third Angle			PART NO.		SHEET 1 OF 1

8 7 6 5 4 3 2 1

A