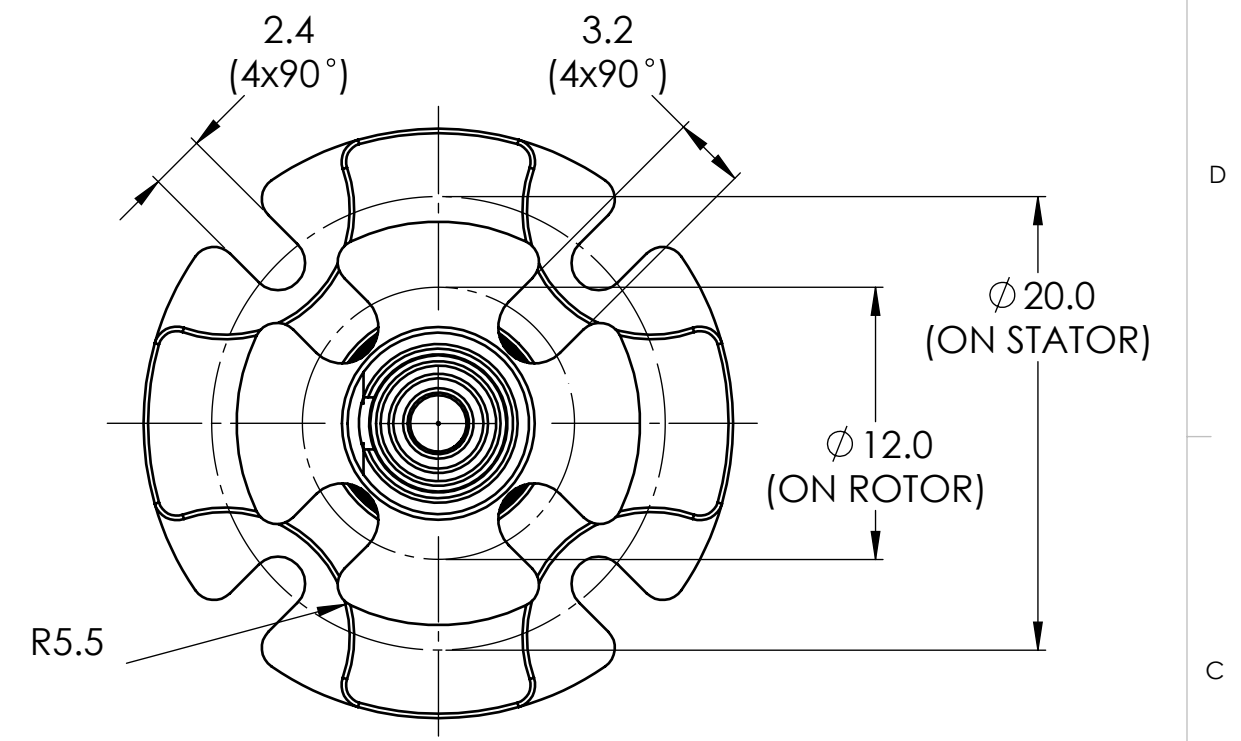
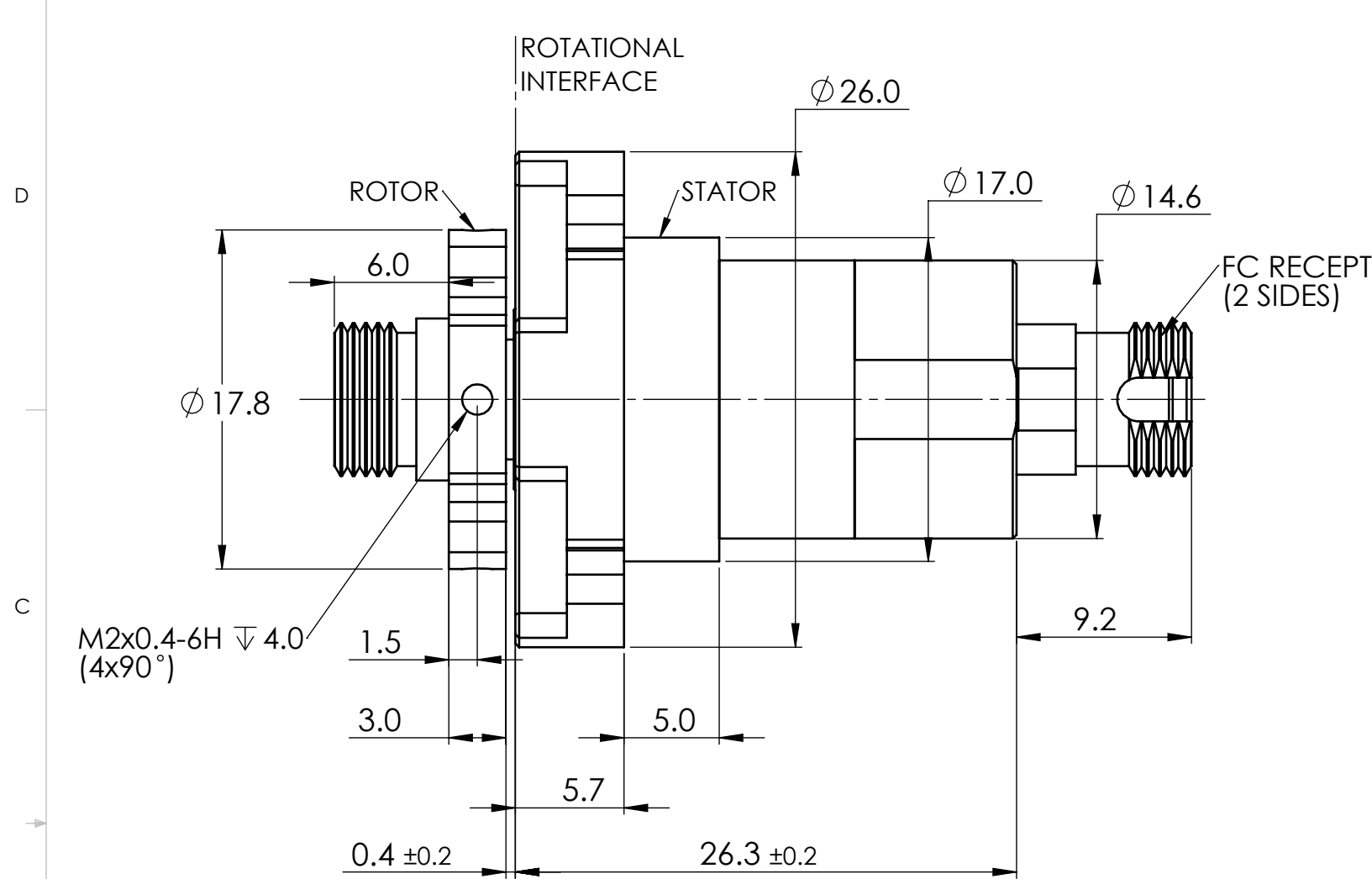
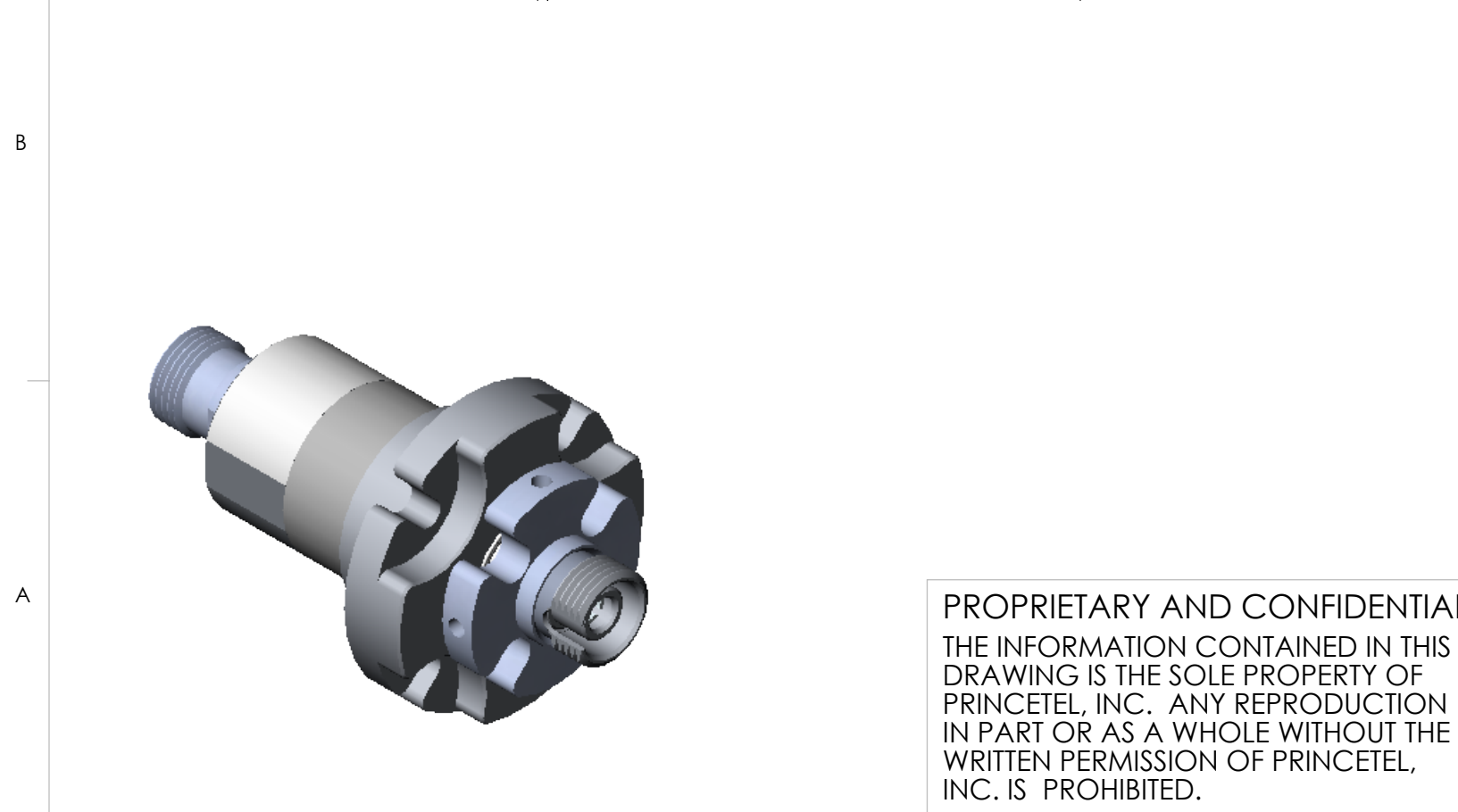


8 7 6 5 4 3 2 1



Note: More options available upon request.



**PROPRIETARY AND CONFIDENTIAL**  
 THE INFORMATION CONTAINED IN THIS DRAWING IS THE SOLE PROPERTY OF PRINCETEL, INC. ANY REPRODUCTION IN PART OR AS A WHOLE WITHOUT THE WRITTEN PERMISSION OF PRINCETEL, INC. IS PROHIBITED.

**STANDARD SPECIFICATIONS**

PARAMETERS	VALUES
Wavelength range	650-1650 nm
Insertion loss	<3 dB
Insertion loss ripple	<+/-0.25 dB (typical: +/-0.15 dB)
Return loss (SM)	>30 dB
Maximum speed	2,000 rpm
Estimated life cycle	>500 million revolutions (1,000 rpm/365 days continuous)
Working temperature	-40 to 85 C
Storage temperature	-50 to 85 C
Package style	FC receptacles
Housing material	Stainless steel
Fiber types	Single or multimode
Vibration	MIL-STD-167-1A
Mechanical shock	MIL-STD-810G
IP rating	IP 68

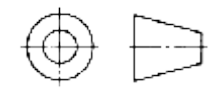
**UNLESS OTHERWISE SPECIFIED:**

DIMENSIONS ARE IN mm  
 DO NOT SCALE DRAWING

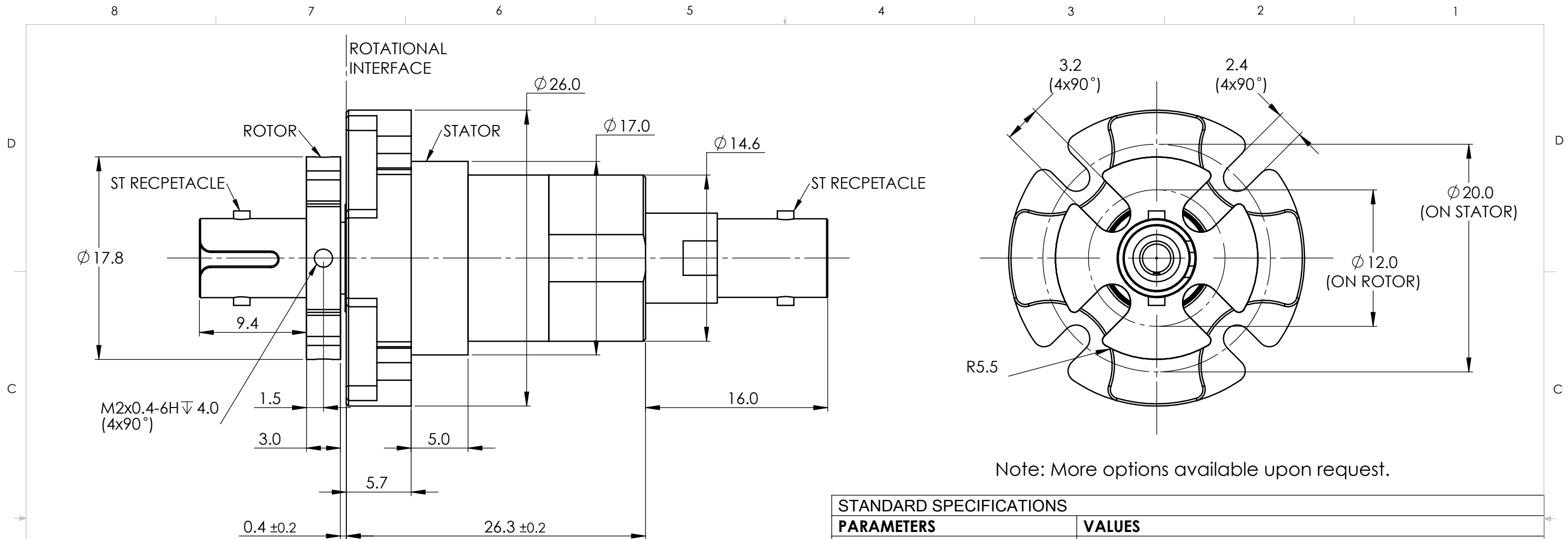
TOLERANCES:  
 ANGULAR: ± 1/2°  
 ONE PLACE DECIMAL ± 0.100  
 TWO PLACE DECIMAL ± 0.050  
 THREE PLACE DECIMAL ± 0.025

**MATERIAL:**

	DATE	NAME	<b>PRINCETEL, INC.</b>
DRAWN	5/27/2016	L. X.	
CHECKED	5/27/2016	R. Z.	
ENG APPR.			
MFG APPR.			
Q.A.			
COMMENTS: FIRST ANGLE PROJECTION			TITLE: <b>RFC,FORJ</b>
SIZE	DWG. NO.	REV	
<b>B</b>	1074-00-AD	2	
PART NO.	-	SHEET 1 OF 1	



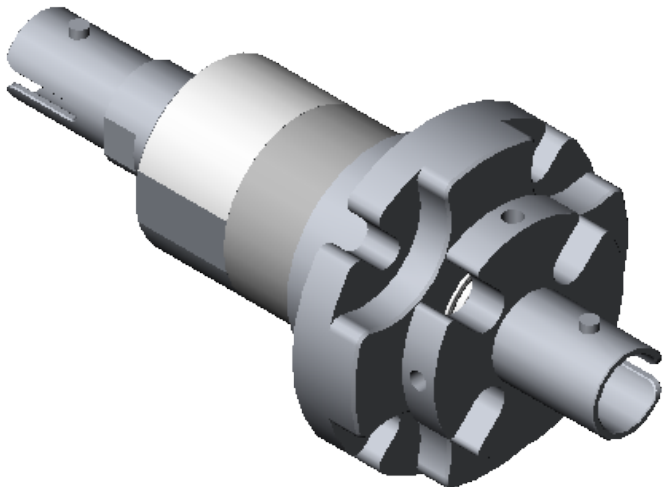
8 7 6 5 4 3 2 1



Note: More options available upon request.

**STANDARD SPECIFICATIONS**

PARAMETERS	VALUES
Wavelength range	650-1650 nm
Insertion loss	<3 dB
Insertion loss ripple	<+/-0.25 dB (typical: +/-0.15 dB)
Return loss (SM)	>30 dB
Maximum speed	2,000 rpm
Estimated life cycle	>500 million revolutions (1,000 rpm/365 days continuous)
Working temperature	-40 to 85 C
Storage temperature	-50 to 85 C
Package style	ST receptacles
Housing material	Stainless steel
Fiber types	Single or multimode
Vibration	MIL-STD-167-1A
Mechanical shock	MIL-STD-810G
IP rating	IP 68



PROPRIETARY AND CONFIDENTIAL  
 THE INFORMATION CONTAINED IN THIS  
 DRAWING IS THE SOLE PROPERTY OF  
 PRINCETEL, INC. ANY REPRODUCTION  
 IN PART OR AS A WHOLE WITHOUT THE  
 WRITTEN PERMISSION OF PRINCETEL,  
 INC. IS PROHIBITED.

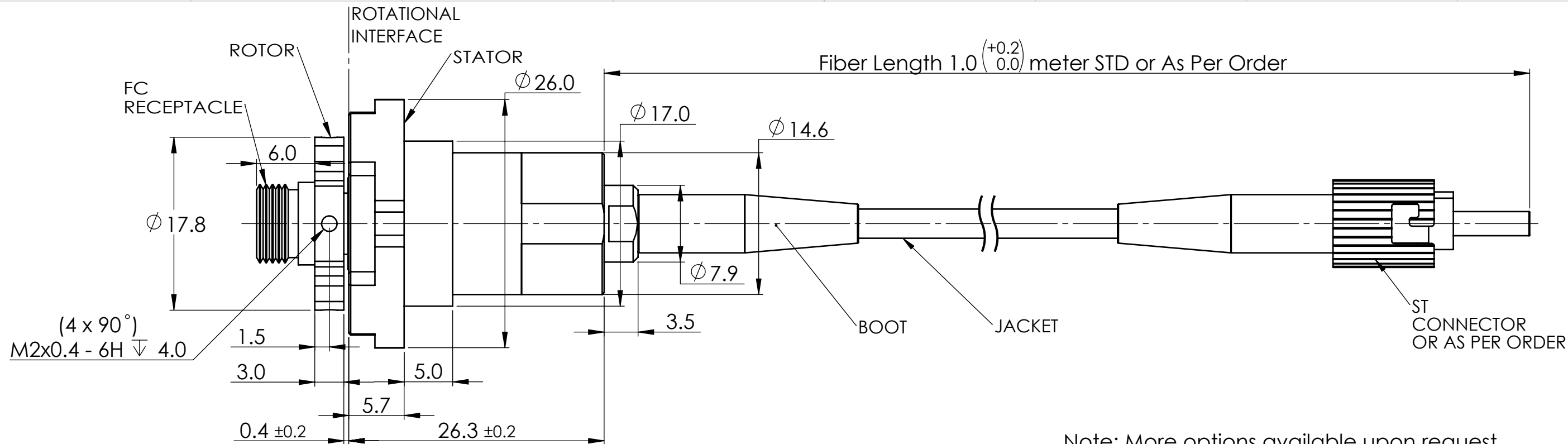
UNLESS OTHERWISE SPECIFIED:

DIMENSIONS ARE IN mm  
 DO NOT SCALE DRAWING

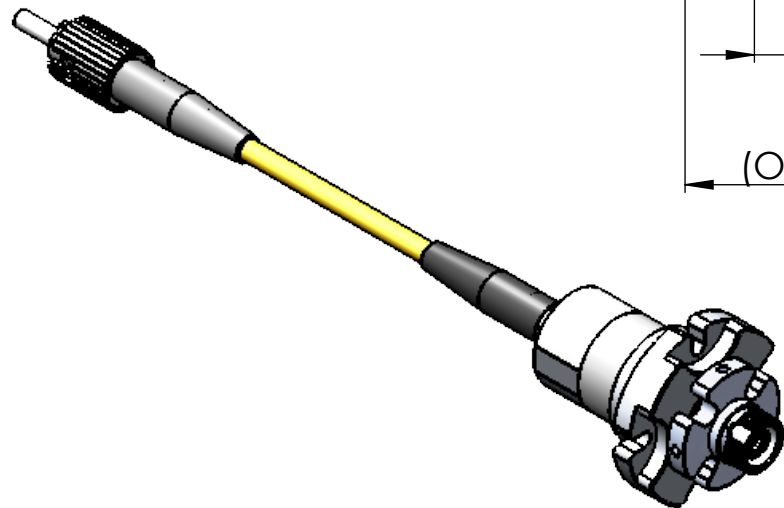
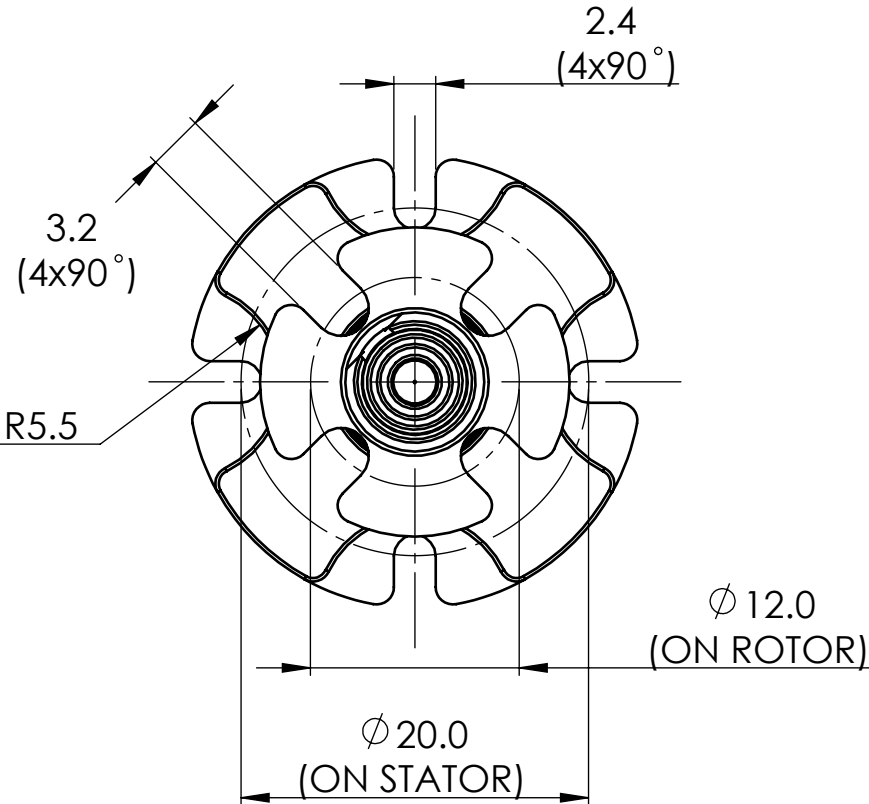
TOLERANCES:  
 ANGULAR: ± 1/2°  
 ONE PLACE DECIMAL ± 0.100  
 TWO PLACE DECIMAL ± 0.050  
 THREE PLACE DECIMAL ± 0.025

MATERIAL:

	DATE	NAME	PRINCETEL, INC.		
DRAWN	5/27/2016	L. X.	TITLE:		
CHECKED	5/27/2016	R. Z.	RST,FORJ		
ENG APPR.					
MFG APPR.					
Q.A.					
COMMENTS: FIRST ANGLE PROJECTION			SIZE	DWG. NO.	REV
			B	1062-00-AD	2
			PART NO.	-	SHEET 1 OF 1



Note: More options available upon request.



STANDARD SPECIFICATIONS	
PARAMETERS	VALUES
Wavelength range	650-1650 nm
Insertion loss	<3 dB
Insertion loss ripple	<+/-0.25 dB (typical: +/-0.15 dB)
Return loss (SM)	>40 dB
Maximum speed	2,000 rpm
Estimated life cycle	>500 million revolutions (1,000 rpm/365 days continuous)
Working temperature	-40 to 85 C
Storage temperature	-50 to 85 C
Package style	FC receptacle and Pigtails on stator end
Housing material	Stainless steel
Fiber types	Single or multimode
Jacket types	900um, 2mm, 3 mm
Connector types	ST, FC, LC, SC (PC and APC)
Vibration	MIL-STD-167-1A
Mechanical shock	MIL-STD-810G
IP rating	IP 68

UNLESS OTHERWISE SPECIFIED:

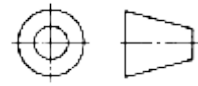
DIMENSIONS ARE IN mm  
DO NOT SCALE DRAWING

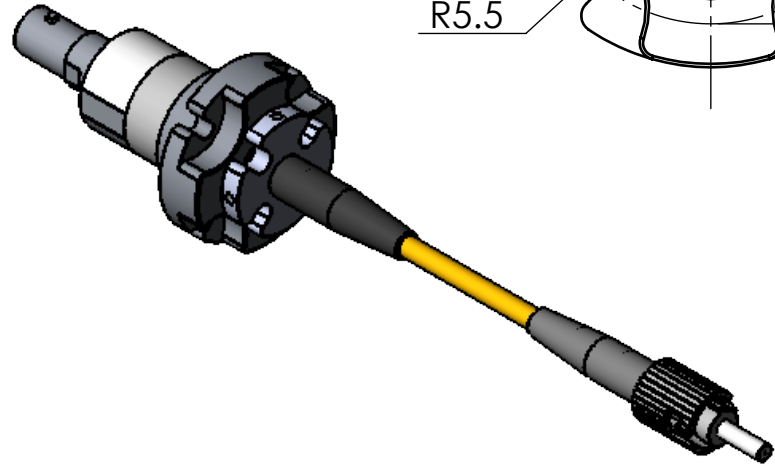
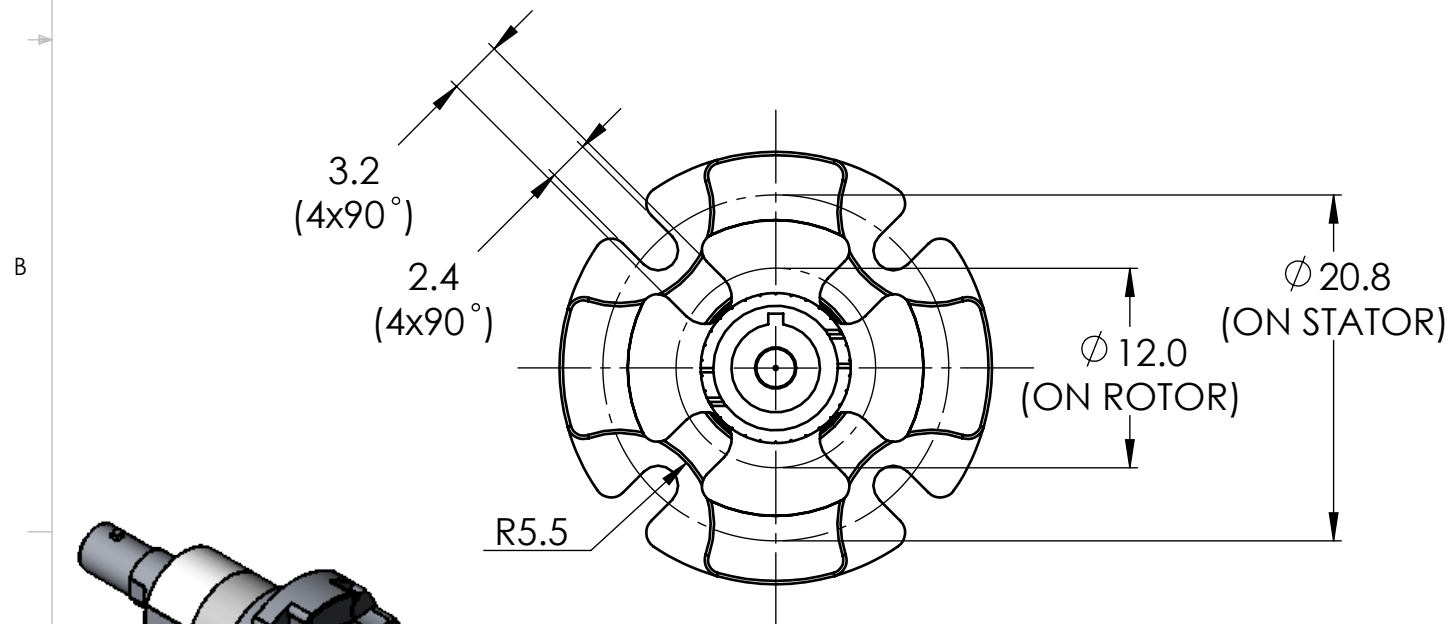
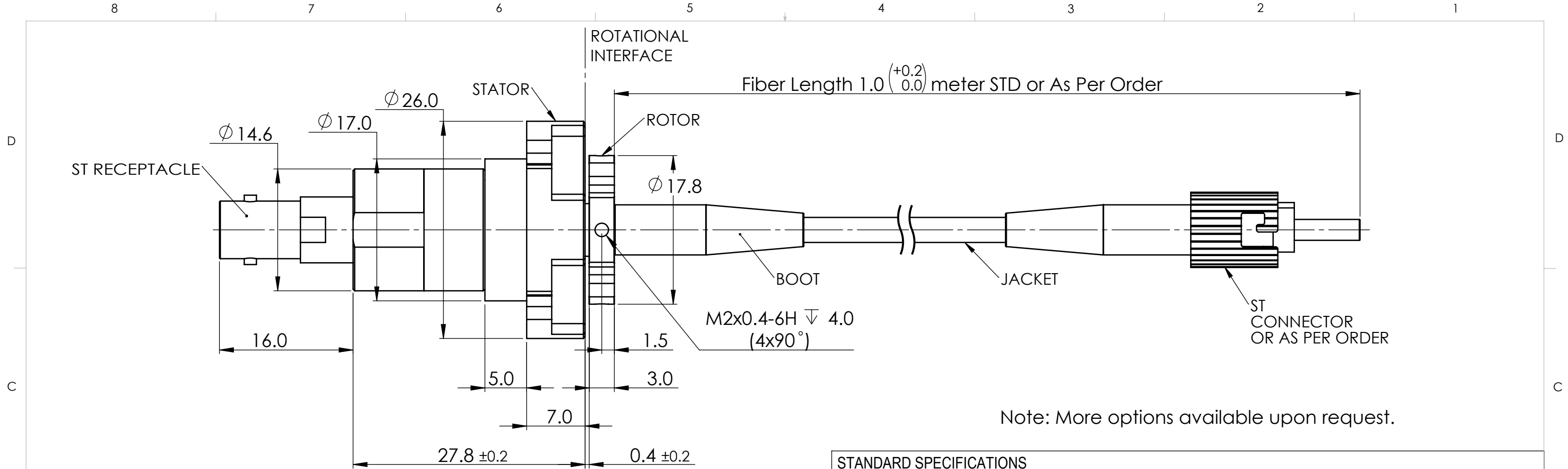
TOLERANCES:  
ANGULAR:  $\pm 1/2^\circ$   
ONE PLACE DECIMAL  $\pm 0.100$   
TWO PLACE DECIMAL  $\pm 0.050$   
THREE PLACE DECIMAL  $\pm 0.025$

MATERIAL:

DRAWN	5/27/2016	L. X.	PRINCETEL, INC.
CHECKED	5/27/2016	R. Z.	
ENG APPR.			
MFG APPR.			
Q.A.			
COMMENTS: FIRST ANGLE PROJECTION			TITLE:
			RFP, FORJ
SIZE	DWG. NO.	REV	
B	1074-RFP-AD	2	
PART NO.	-	SHEET 1 OF 1	

PROPRIETARY AND CONFIDENTIAL  
THE INFORMATION CONTAINED IN THIS DRAWING IS THE SOLE PROPERTY OF PRINCETEL, INC. ANY REPRODUCTION IN PART OR AS A WHOLE WITHOUT THE WRITTEN PERMISSION OF PRINCETEL, INC. IS PROHIBITED.





**PROPRIETARY AND CONFIDENTIAL**  
 THE INFORMATION CONTAINED IN THIS DRAWING IS THE SOLE PROPERTY OF PRINCETEL, INC. ANY REPRODUCTION IN PART OR AS A WHOLE WITHOUT THE WRITTEN PERMISSION OF PRINCETEL, INC. IS PROHIBITED.

Note: More options available upon request.

STANDARD SPECIFICATIONS	
PARAMETERS	VALUES
Wavelength range	650-1650 nm
Insertion loss	<3 dB
Insertion loss ripple	<+/-0.25 dB (typical: +/-0.15 dB)
Return loss (SM)	>40 dB
Maximum speed	2,000 rpm
Estimated life cycle	>500 million revolutions (1,000 rpm/365 days continuous)
Working temperature	-40 to 85 C
Storage temperature	-50 to 85 C
Package style	ST receptacle and Pigtails on rotor end
Housing material	Stainless steel
Fiber types	Single or multimode
Jacket types	900um, 2mm, 3 mm
Connector types	ST, FC, LC, SC (PC and APC)
Vibration	MIL-STD-167-1A
Mechanical shock	MIL-STD-810G
IP rating	IP 68

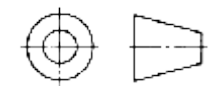
UNLESS OTHERWISE SPECIFIED:

DIMENSIONS ARE IN mm  
 DO NOT SCALE DRAWING

TOLERANCES:  
 ANGULAR: ± 1/2°  
 ONE PLACE DECIMAL ± 0.100  
 TWO PLACE DECIMAL ± 0.050  
 THREE PLACE DECIMAL ± 0.025

MATERIAL:

	DATE	NAME	PRINCETEL, INC.
DRAWN	5/27/2016	L. X.	
CHECKED	5/27/2016	R. Z.	
ENG APPR.			
MFG APPR.			
COMMENTS: FIRST ANGLE PROJECTION			TITLE:
			RPS, FORJ
SIZE	DWG. NO.	REV	
B	1071-00-62	6	
PART NO.	-	SHEET 1 OF 1	

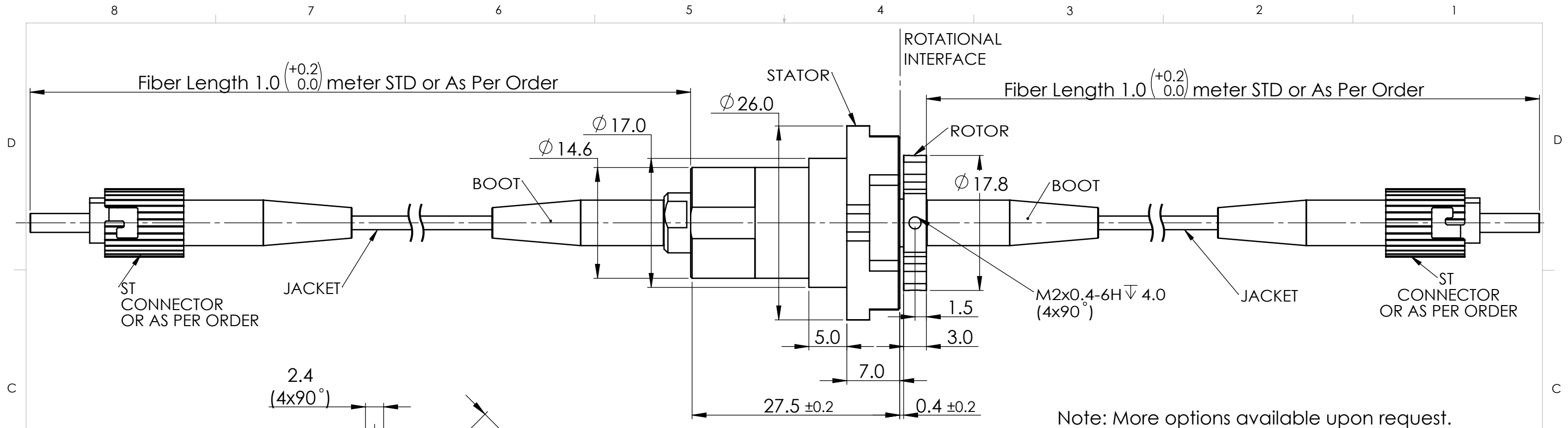


8 7 6 5 4 3 2 1

D  
C  
B  
A

D  
C  
B  
A

8 7 6 5 4 3 2 1



Note: More options available upon request.

STANDARD SPECIFICATIONS	
PARAMETERS	VALUES
Wavelength range	650-1650 nm
Insertion loss	<2 dB (typical: <0.5 dB)
Insertion loss ripple	<+/-0.25 dB (typical: +/-0.15 dB)
Return loss (SM)	>40 dB (RPT), >55 dB (RPTA)
Maximum speed	2,000 rpm
Estimated life cycle	>500 million revolutions (1,000 rpm/365 days continous)
Working temperature	-40 to 85 C
Storage temperature	-50 to 85 C
Package style	Pigtails on both ends
Housing material	Stainless steel
Fiber types	Single or multimode
Jacket types	900um, 2mm, 3 mm
Connector types	ST, FC, LC, SC (PC and APC)
Vibration	MIL-STD-167-1A
Mechanical shock	MIL-STD-810G
IP rating	IP 68

UNLESS OTHERWISE SPECIFIED:

DIMENSIONS ARE IN mm  
DO NOT SCALE DRAWING

TOLERANCES:  
ANGULAR: ± 1/2°  
ONE PLACE DECIMAL ± 0.100  
TWO PLACE DECIMAL ± 0.050  
THREE PLACE DECIMAL ± 0.025

MATERIAL:

DATE		NAME		PRINCETEL, INC.	
DRAWN	9/11/2015	L. X.		TITLE:  RPT,FORJ	
CHECKED	9/11/2015	R. Z.			
ENG APPR.					
MFG APPR.					
Q.A.				REV 2	
COMMENTS: FIRST ANGLE PROJECTION				SIZE B	DWG. NO. 1071-RPT-AD
				PART NO. -	SHEET 1 OF 1

PROPRIETARY AND CONFIDENTIAL  
THE INFORMATION CONTAINED IN THIS  
DRAWING IS THE SOLE PROPERTY OF  
PRINCETEL, INC. ANY REPRODUCTION  
IN PART OR AS A WHOLE WITHOUT THE  
WRITTEN PERMISSION OF PRINCETEL,  
INC. IS PROHIBITED.

