

PROPRIETARY AND CONFIDENTIAL
 THE INFORMATION CONTAINED IN THIS
 DRAWING IS THE SOLE PROPERTY OF
 PRINCETEL, INC. ANY REPRODUCTION
 IN PART OR AS A WHOLE WITHOUT THE
 WRITTEN PERMISSION OF PRINCETEL,
 INC. IS PROHIBITED.

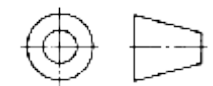
STANDARD SPECIFICATIONS	
PARAMETERS	VALUES
Wavelength range	1270-1610 nm for SM; 850 and 1310 nm for MM
Insertion loss	<5 dB (typical: 2-3 dB)
Insertion loss ripple	~+/-0.5 to 1 dB
Return loss (SM)	>45 dB
Crosstalk	>50 dB (typical: 63 dB)
Maximum speed	300 rpm
Estimated life cycle	100-200 million revolutions
Working temperature	-20 to 65 C
Storage temperature	-25 to 75 C
Package style	Pigtails on both ends
Housing material	Stainless steel
Fiber types	Single or multimode
Jacket types	900um, 2mm, 3 mm (Kevlar/PVC or armor)
Connector types	ST, FC, LC, SC (PC and APC)
Vibration	MIL-STD-167-1
Mechanical shock	MIL-STD-810F
IP rating	Up to IP 65

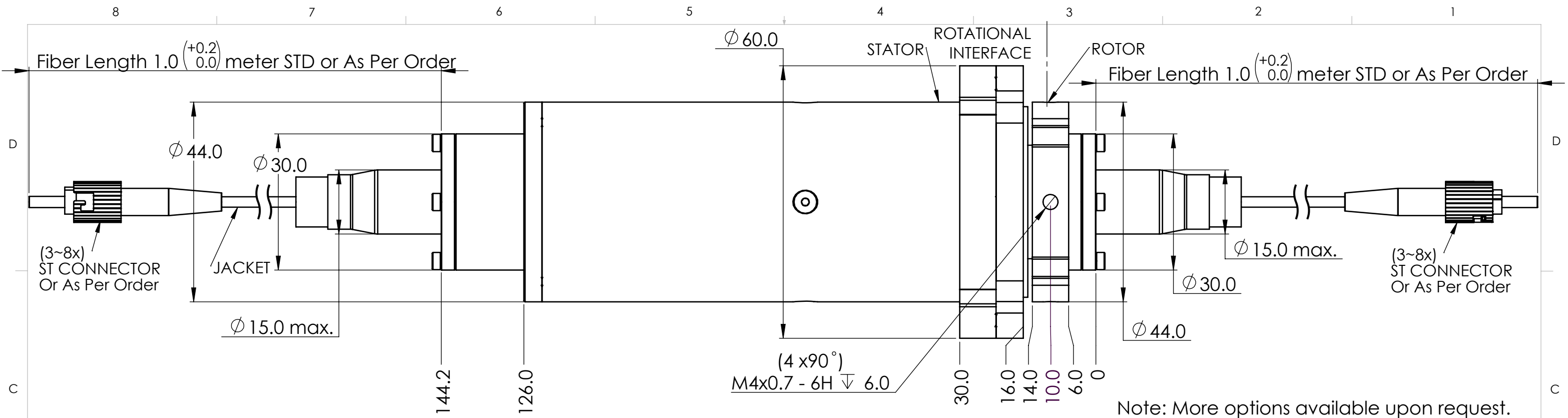
UNLESS OTHERWISE SPECIFIED:
 DIMENSIONS ARE IN mm
 DO NOT SCALE DRAWING

TOLERANCES:
 ANGULAR: ± 1/2°
 ONE PLACE DECIMAL ± 0.100
 TWO PLACE DECIMAL ± 0.050
 THREE PLACE DECIMAL ± 0.025

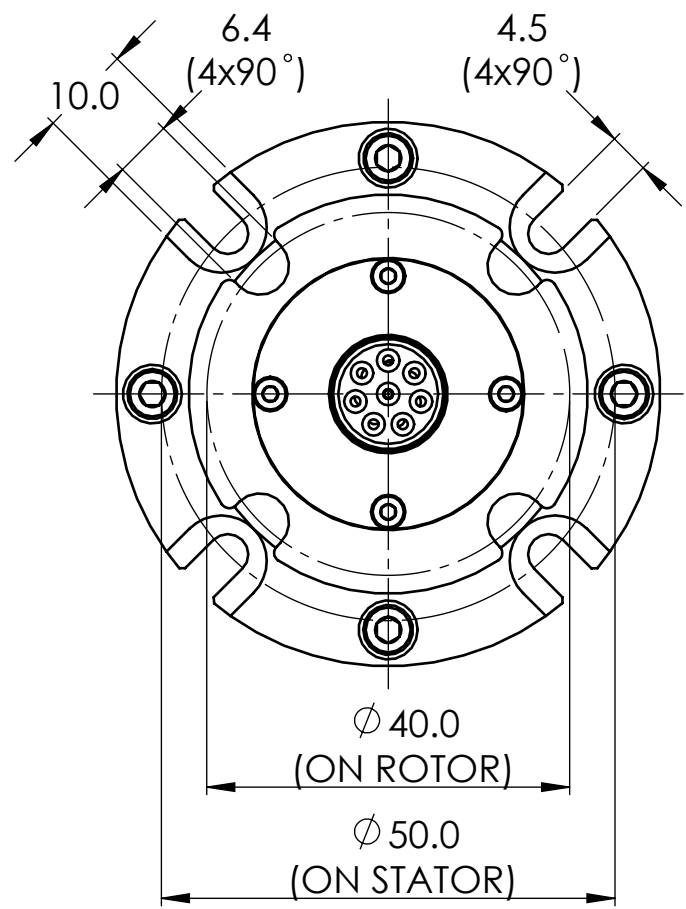
MATERIAL:

DRAWN	9/30/2015	L. X.	PRINCETEL, INC.
CHECKED	9/30/2015	R. Z.	
ENG APPR.			
MFG APPR.			
Q.A.			
COMMENTS: FIRST ANGLE PROJECTION			TITLE:
			MXn, FORJ
SIZE	DWG. NO.	REV	
B	2023-0.4-AD	2	
PART NO.	-	SHEET 1 OF 1	





Note: More options available upon request.



PROPRIETARY AND CONFIDENTIAL
 THE INFORMATION CONTAINED IN THIS DRAWING IS THE SOLE PROPERTY OF PRINCETEL, INC. ANY REPRODUCTION IN PART OR AS A WHOLE WITHOUT THE WRITTEN PERMISSION OF PRINCETEL, INC. IS PROHIBITED.

STANDARD SPECIFICATIONS	
PARAMETERS	VALUES
Wavelength range	1270-1610 nm for SM; 850 and 1310 nm for MM
Insertion loss	<5 dB (typical: 2-3 dB)
Insertion loss ripple	~+/-0.5 to 1 dB
Return loss (SM)	>45 dB
Crosstalk	>50 dB (typical: 63 dB)
Maximum speed	300 rpm
Estimated life cycle	100-200 million revolutions
Working temperature	-20 to 65 C
Storage temperature	-25 to 75 C
Package style	Pigtails on both ends
Housing material	Stainless steel
Fiber types	Single or multimode
Jacket types	900um, 2mm, 3 mm (Kevlar/PVC or armor)
Connector types	ST, FC, LC, SC (PC and APC)
Vibration	MIL-STD-167-1
Mechanical shock	MIL-STD-810F
IP rating	IP 65

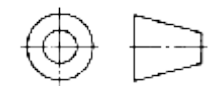
UNLESS OTHERWISE SPECIFIED:
 DIMENSIONS ARE IN mm
 DO NOT SCALE DRAWING

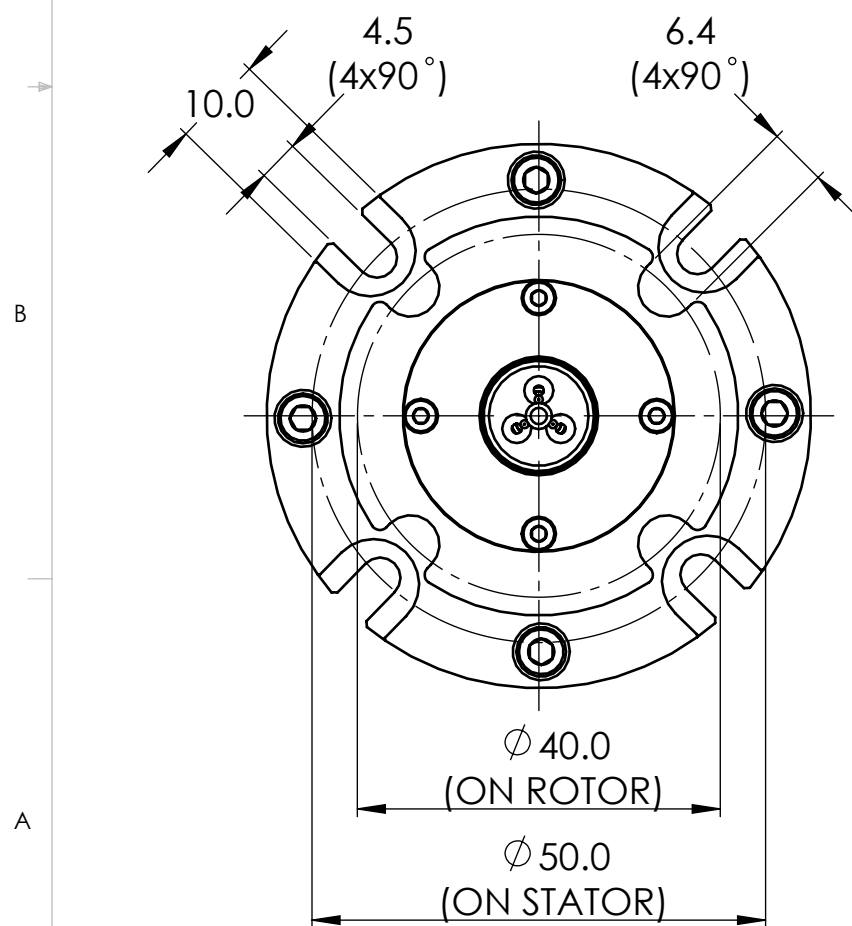
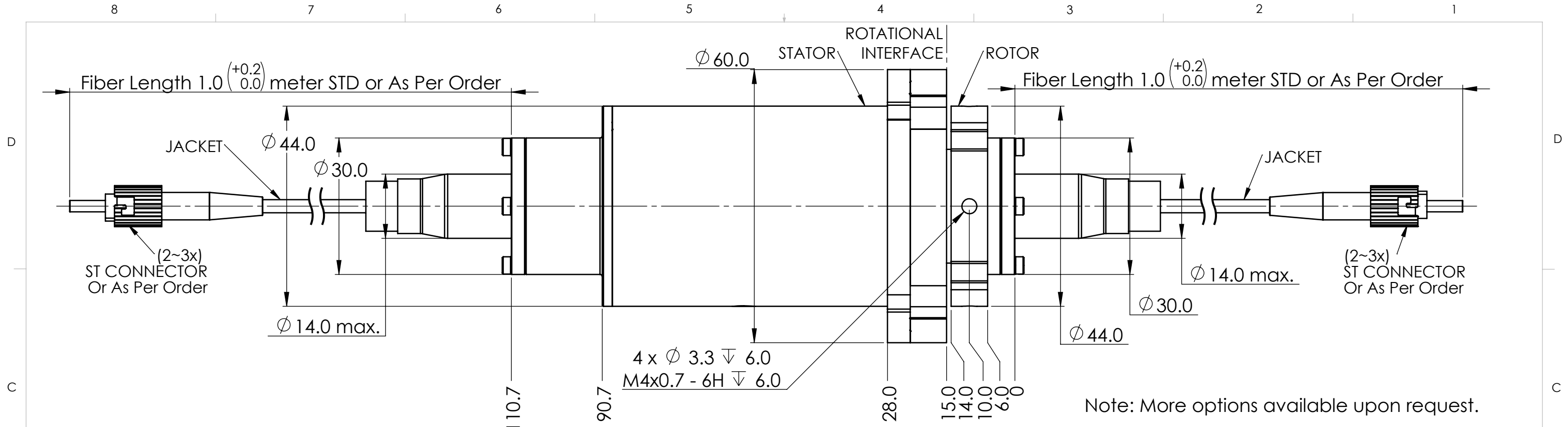
TOLERANCES:
 ANGULAR: ± 1/2°
 ONE PLACE DECIMAL ± 0.100
 TWO PLACE DECIMAL ± 0.050
 THREE PLACE DECIMAL ± 0.025

MATERIAL:

DRAWN	DATE	NAME	PRINCETEL, INC. TITLE: MXnL FORJ Seal: IP65
CHECKED	1/5/2017	L. X.	
ENG APPR.			
MFG APPR.			
Q.A.			
COMMENTS: FIRST ANGLE PROJECTION			SIZE B DWG. NO. 2023-65-AD PART NO. - REV 2

SHEET 1 OF 1





REVISIONS				
REV.	ZONE	DESCRIPTION	DATE	APP.
2		ADD SPEC.	9/30/15	L.X.
3		CHANGE IP RATEING	6/10/19	L.X.

PROPRIETARY AND CONFIDENTIAL
 THE INFORMATION CONTAINED IN THIS
 DRAWING IS THE SOLE PROPERTY OF
 PRINCETEL, INC. ANY REPRODUCTION
 IN PART OR AS A WHOLE WITHOUT THE
 WRITTEN PERMISSION OF PRINCETEL,
 INC. IS PROHIBITED.

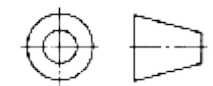
STANDARD SPECIFICATIONS	
PARAMETERS	VALUES
Wavelength range	1270-1610 nm for SM; 850 and 1310 nm for MM
Insertion loss	<5 dB (typical: 2-3 dB)
Insertion loss ripple	~+/-0.5 to 1 dB
Return loss (SM)	>45 dB
Crosstalk	>50 dB (typical: 63 dB)
Maximum speed	300 rpm
Estimated life cycle	100-200 million revolutions
Working temperature	-20 to 65 C
Storage temperature	-25 to 75 C
Package style	Pigtails on both ends
Housing material	Stainless steel
Fiber types	Single or multimode
Jacket types	900um, 2mm, 3 mm (Kevlar/PVC or armor)
Connector types	ST, FC, LC, SC (PC and APC)
Vibration	MIL-STD-167-1
Mechanical shock	MIL-STD-810F
IP rating	Up to IP 60

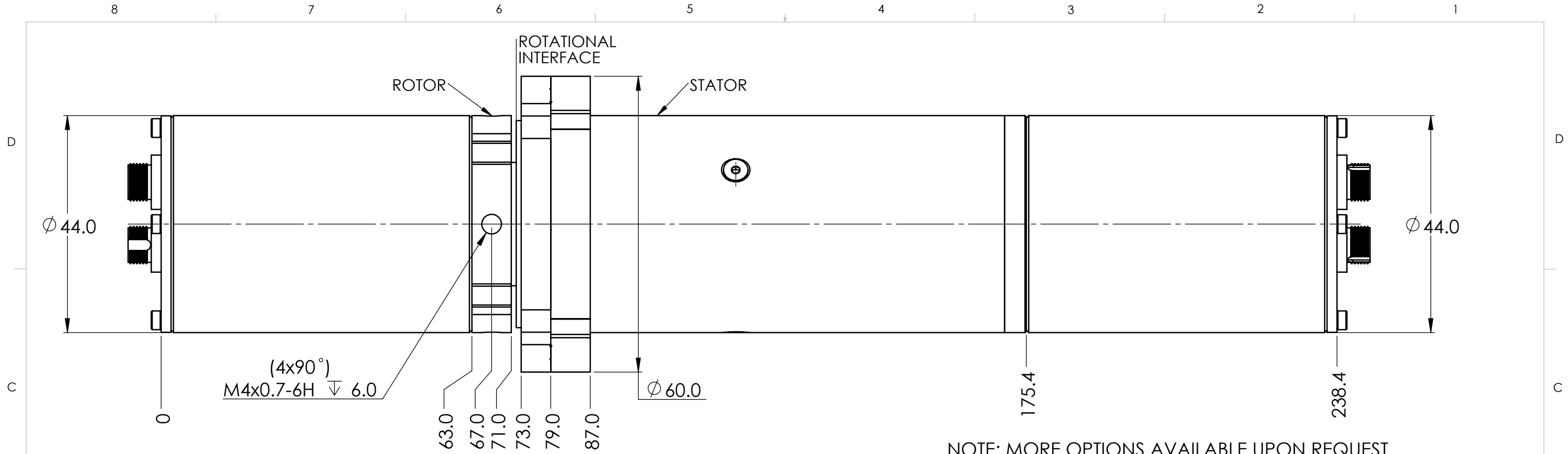
UNLESS OTHERWISE SPECIFIED:
 DIMENSIONS ARE IN mm
 DO NOT SCALE DRAWING

TOLERANCES:
 ANGULAR: ± 1/2°
 ONE PLACE DECIMAL ± 0.100
 TWO PLACE DECIMAL ± 0.050
 THREE PLACE DECIMAL ± 0.025

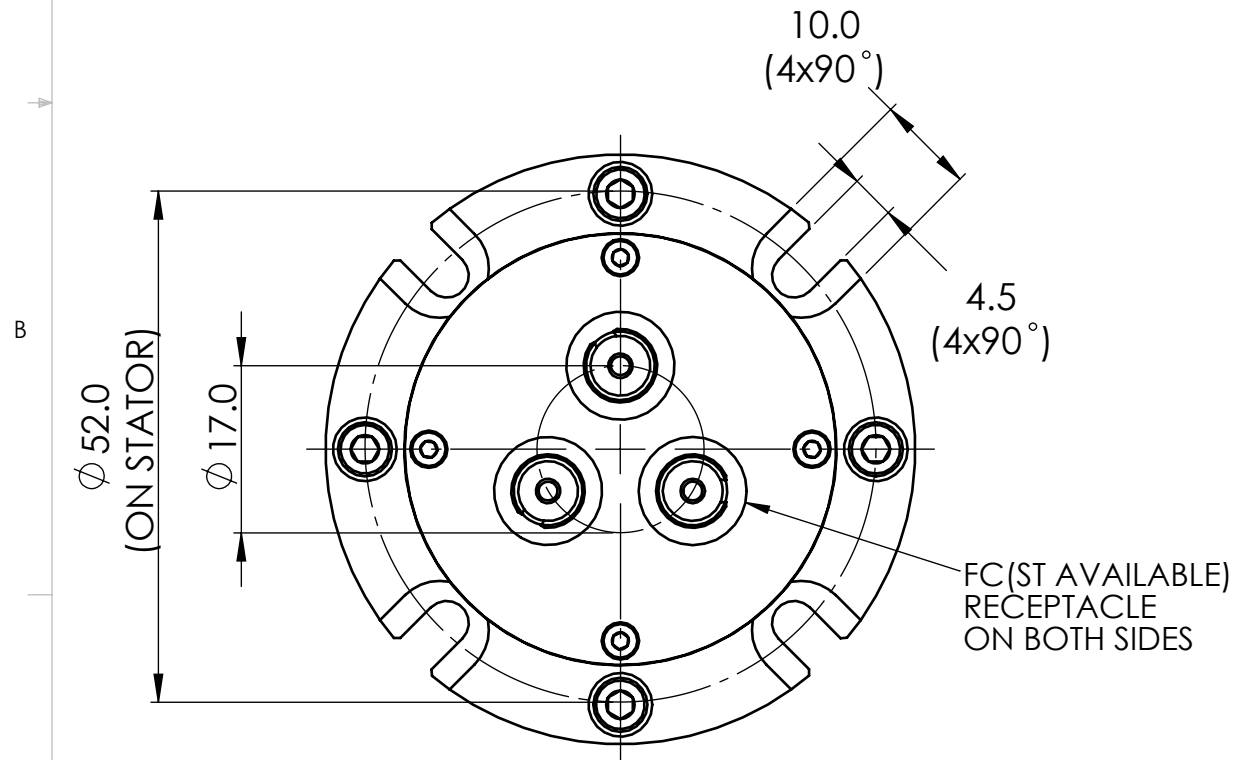
MATERIAL:

DATE		NAME		PRINCETEL, INC.	
DRAWN	4/27/2011	L. X.		TITLE:	
CHECKED	4/27/2011	R. Z.		MXn-S, FORJ	
ENG APPR.				SIZE	DWG. NO.
MFG APPR.				B	2023-S-AD
Q.A.				REV	3
COMMENTS: FIRST ANGLE PROJECTION				PART NO.	-
				SHEET 1 OF 1	





NOTE: MORE OPTIONS AVAILABLE UPON REQUEST.



STANDARD SPECIFICATIONS	
PARAMETERS	VALUES
WAVELENGTH RANGE	1270-1610 nm FOR SM; 850 AND 1310 nm FOR MM
INSERTION LOSS	<5.5 DB
INSERTION LOSS RIPPLE	~+/-0.5 TO 1 DB
RETURN LOSS (SM)	>45 DB
CROSSTALK	>50 DB (TYPICAL: 63 DB)
MAXIMUM SPEED	300 RPM
ESTIMATED LIFE CYCLE	100-200 MILLION REVOLUTIONS
WORKING TEMPERATURE	-20 TO 65 C
STORAGE TEMPERATURE	-25 TO 75 C
PACKAGE STYLE	RECEPTACLES (FC OR ST; UP TO 3 CHANNELS)
HOUSING MATERIAL	STAINLESS STEEL
FIBER TYPES	BENDBRIGHT FIBER ONLY, SM/ MM 50/ MM62
VIBRATION	MIL-STD-167-1
MECHANICAL SHOCK	MIL-STD-810F
IP RATING	IP65: FORJ BODY ONLY; IP60: RECEPTACLE EXTENSIONS

UNLESS OTHERWISE SPECIFIED:

DIMENSIONS ARE IN mm
DO NOT SCALE DRAWING

TOLERANCES:
ANGULAR: ± 1/2°
ONE PLACE DECIMAL ± 0.100
TWO PLACE DECIMAL ± 0.050
THREE PLACE DECIMAL ± 0.025

MATERIAL:

DATE		NAME		PRINCETEL, INC.	
DRAWN	10/29/2018	L. X.		TITLE:	
CHECKED	10/29/2018	R. Z.		MXnFC(ST) RECEPTACLE, FORJ	
ENG APPR.				SIZE	DWG. NO.
MFG APPR.				B	2023-00-FCST
Q.A.				REV	3
COMMENTS: FIRST ANGLE PROJECTION				PART NO.	-
				SHEET 1 OF 1	

PROPRIETARY AND CONFIDENTIAL
THE INFORMATION CONTAINED IN THIS
DRAWING IS THE SOLE PROPERTY OF
PRINCETEL, INC. ANY REPRODUCTION
IN PART OR AS A WHOLE WITHOUT THE
WRITTEN PERMISSION OF PRINCETEL,
INC. IS PROHIBITED.

REVISIONS				
REV.	ZONE	DESCRIPTION	DATE	APP.
3		CORRECT IP RATE	10/29/18	B.Z.