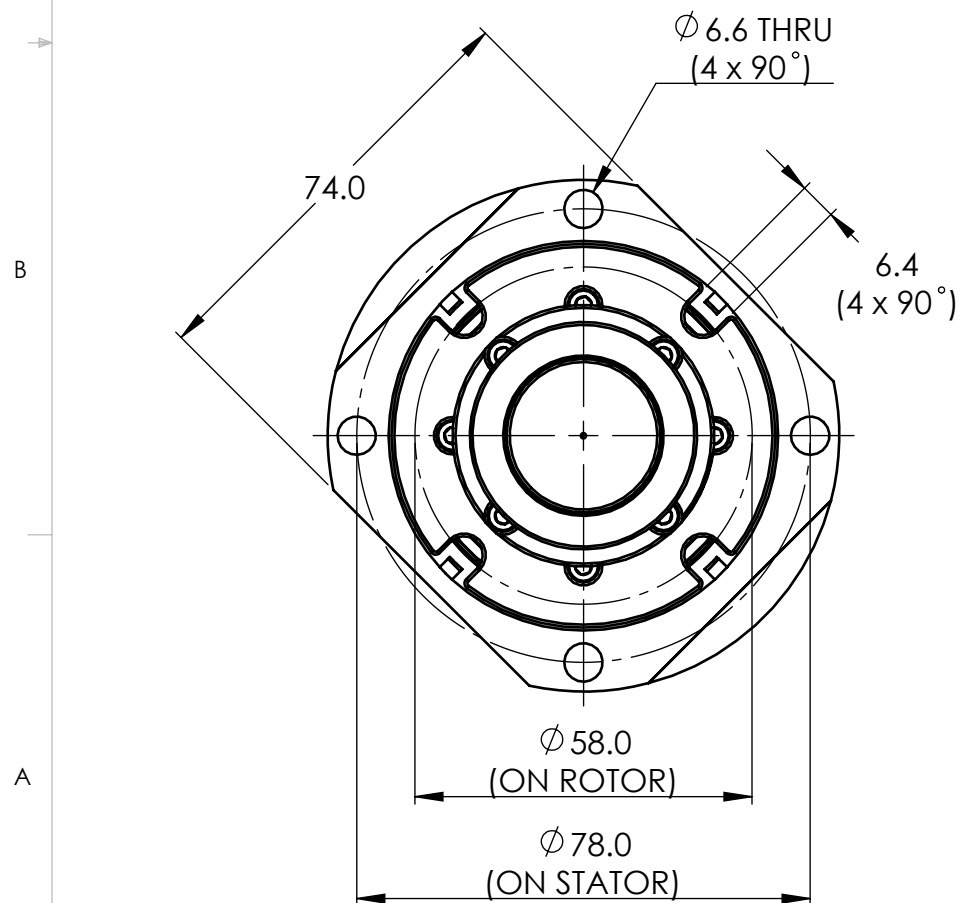


Note: More options available upon request.



PROPRIETARY AND CONFIDENTIAL  
 THE INFORMATION CONTAINED IN THIS DRAWING IS THE SOLE PROPERTY OF PRINCETEL, INC. ANY REPRODUCTION IN PART OR AS A WHOLE WITHOUT THE WRITTEN PERMISSION OF PRINCETEL, INC. IS PROHIBITED.

STANDARD SPECIFICATIONS	
PARAMETERS	VALUES
Wavelength range	1270-1610 nm for SM; 850 and 1310 nm for MM
Insertion loss	<6 dB (typical: 2-3 dB)
Insertion loss ripple	~+/-0.5 to 1 dB
Return loss (typical for SM)	45 dB
Crosstalk	>50 dB (typical: 63 dB)
Maximum speed	200 rpm
Estimated life cycle	100 million revolutions
Working temperature	-20 to 65 C
Storage temperature	-25 to 75 C
Package style	Pigtails on both ends
Housing material	Stainless steel
Fiber types	Single or multimode
Jacket types	900um, 2mm, 3 mm (Kevlar/PVC or armor)
Connector types	ST, FC, SC, SMA, LC (PC and APC)
Vibration	MIL-STD-167-1
Mechanical shock	MIL-STD-810F
IP rating	Up to IP 65

UNLESS OTHERWISE SPECIFIED:

DIMENSIONS ARE IN mm  
 DO NOT SCALE DRAWING

TOLERANCES:  
 ANGULAR:  $\pm$  1/2°  
 ONE PLACE DECIMAL  $\pm$  0.100  
 TWO PLACE DECIMAL  $\pm$  0.050  
 THREE PLACE DECIMAL  $\pm$  0.025

MATERIAL:

		DATE	NAME	PRINCETEL, INC.	
DRAWN	10/26/2017	L. X.	TITLE:		
CHECKED	10/26/2017	R. Z.	MRn, FORJ		
ENG APPR.			SIZE DWG. NO. REV		
MFG APPR.			B 2013-AD-00 2		
Q.A.			PART NO. - SHEET 1 OF 1		
COMMENTS: FIRST ANGLE PROJECTION					

