

PROPRIETARY AND CONFIDENTIAL
 THE INFORMATION CONTAINED IN THIS
 DRAWING IS THE SOLE PROPERTY OF
 PRINCETEL, INC. ANY REPRODUCTION
 IN PART OR AS A WHOLE WITHOUT THE
 WRITTEN PERMISSION OF PRINCETEL,
 INC. IS PROHIBITED.

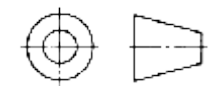
STANDARD SPECIFICATIONS	
PARAMETERS	VALUES
Wavelength range	1270-1610 nm for SM; 850 and 1310 nm for MM
Insertion loss	<5 dB (typical: 2-3 dB)
Insertion loss ripple	~+/-0.5 to 1 dB
Return loss	45 dB
Crosstalk	>50 dB (typical: 63 dB)
Maximum speed	200 rpm
Estimated life cycle	100 million revolutions
Working temperature	-20 to 65 C
Storage temperature	-25 to 75 C
Package style	Pigtails on both ends
Housing material	Stainless steel
Fiber types	Single or multimode
Jacket types	900um, 2mm, 3 mm (Kevlar/PVC or armor)
Connector types	ST, FC, SC, SMA, LC (PC and APC)
Vibration	MIL-STD-167-1
Mechanical shock	MIL-STD-810F
IP rating	Up to IP 65

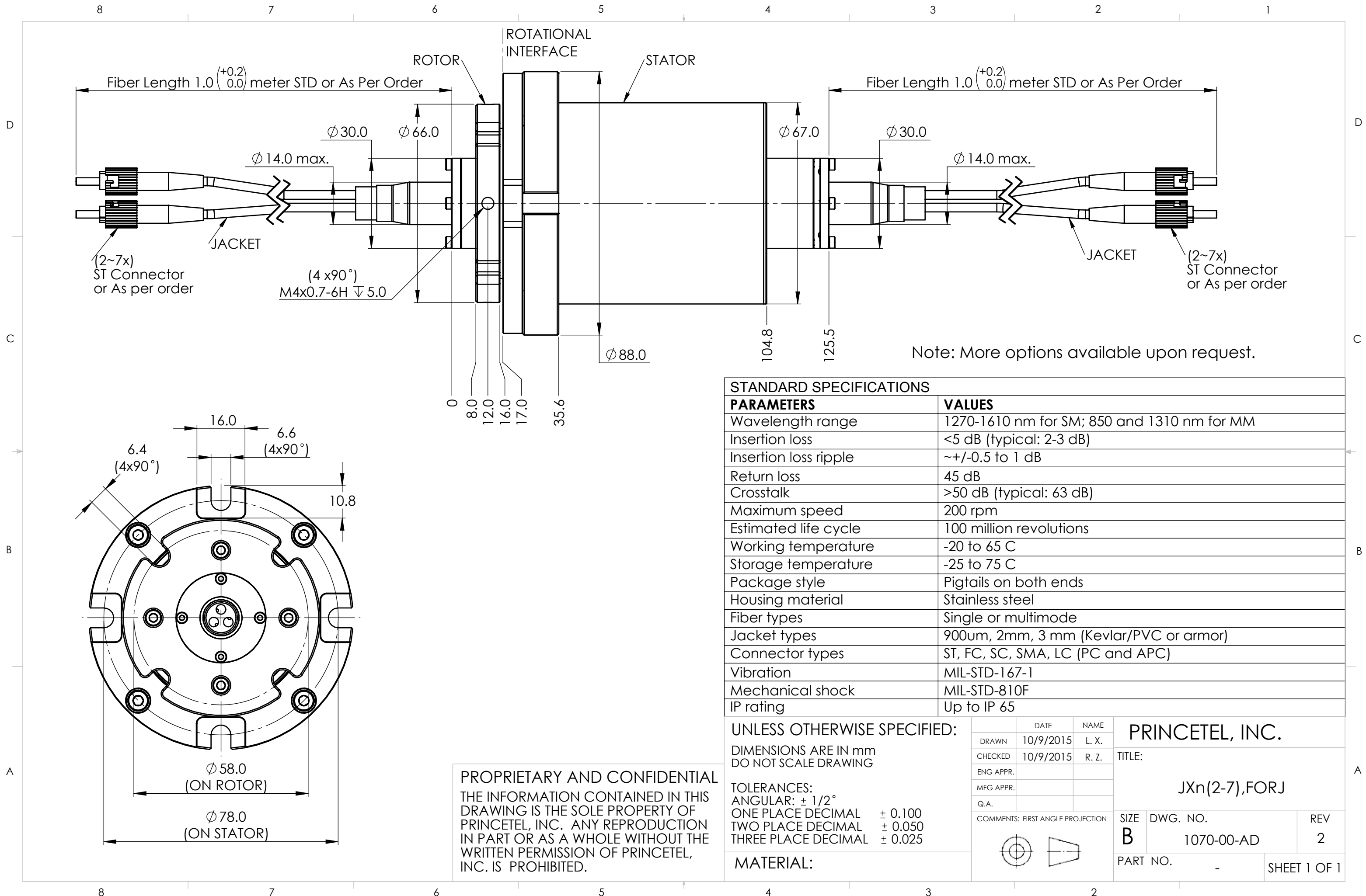
UNLESS OTHERWISE SPECIFIED:
 DIMENSIONS ARE IN mm
 DO NOT SCALE DRAWING

TOLERANCES:
 ANGULAR: ± 1/2°
 ONE PLACE DECIMAL ± 0.100
 TWO PLACE DECIMAL ± 0.050
 THREE PLACE DECIMAL ± 0.025

MATERIAL:

DRAWN	3/15/2016	L. X.	PRINCETEL, INC.
CHECKED	3/15/2016	R. Z.	
ENG APPR.			
MFG APPR.			
Q.A.			
COMMENTS: FIRST ANGLE PROJECTION			TITLE: JXn(8-19),FORJ
SIZE	DWG. NO.	REV	
B	1070-AD-12	2	
PART NO.	-	SHEET 1 OF 1	





Note: More options available upon request.

STANDARD SPECIFICATIONS	
PARAMETERS	VALUES
Wavelength range	1270-1610 nm for SM; 850 and 1310 nm for MM
Insertion loss	<5 dB (typical: 2-3 dB)
Insertion loss ripple	~+/-0.5 to 1 dB
Return loss	45 dB
Crosstalk	>50 dB (typical: 63 dB)
Maximum speed	200 rpm
Estimated life cycle	100 million revolutions
Working temperature	-20 to 65 C
Storage temperature	-25 to 75 C
Package style	Pigtails on both ends
Housing material	Stainless steel
Fiber types	Single or multimode
Jacket types	900um, 2mm, 3 mm (Kevlar/PVC or armor)
Connector types	ST, FC, SC, SMA, LC (PC and APC)
Vibration	MIL-STD-167-1
Mechanical shock	MIL-STD-810F
IP rating	Up to IP 65

UNLESS OTHERWISE SPECIFIED:

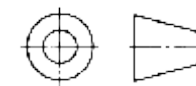
DIMENSIONS ARE IN mm
DO NOT SCALE DRAWING

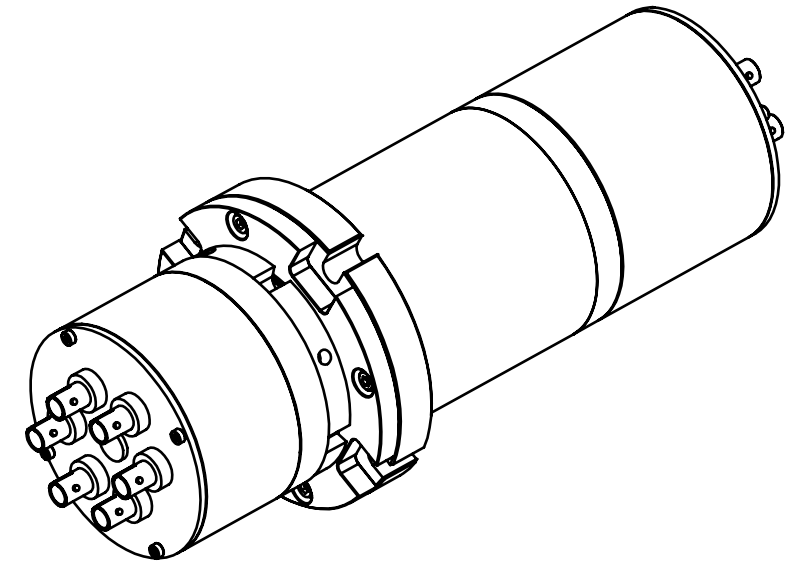
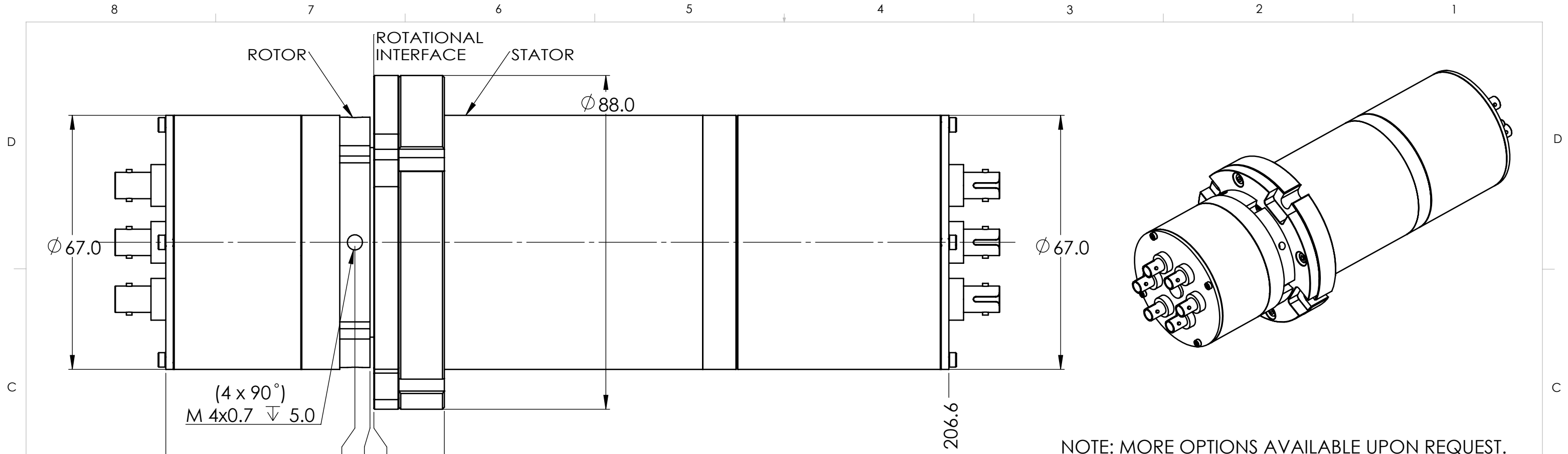
TOLERANCES:
ANGULAR: $\pm 1/2^\circ$
ONE PLACE DECIMAL ± 0.100
TWO PLACE DECIMAL ± 0.050
THREE PLACE DECIMAL ± 0.025

MATERIAL:

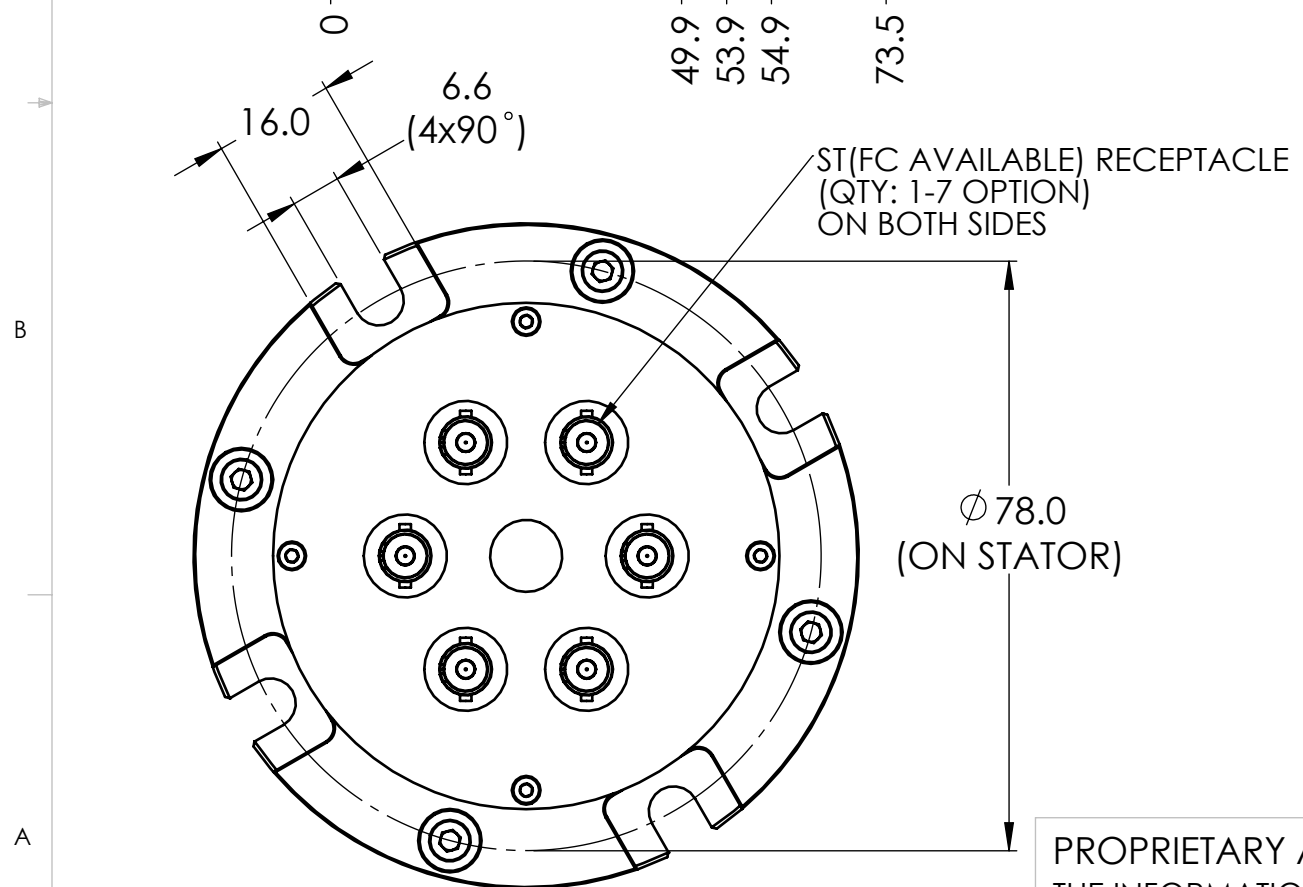
DRAWN		DATE	NAME	PRINCETEL, INC.		
		10/9/2015	L. X.	TITLE:		
		10/9/2015	R. Z.	JXn(2-7),FORJ		
				SIZE	DWG. NO.	REV
				B	1070-00-AD	2
				PART NO.	-	SHEET 1 OF 1

PROPRIETARY AND CONFIDENTIAL
THE INFORMATION CONTAINED IN THIS
DRAWING IS THE SOLE PROPERTY OF
PRINCETEL, INC. ANY REPRODUCTION
IN PART OR AS A WHOLE WITHOUT THE
WRITTEN PERMISSION OF PRINCETEL,
INC. IS PROHIBITED.





NOTE: MORE OPTIONS AVAILABLE UPON REQUEST.



STANDARD SPECIFICATIONS	
PARAMETERS	VALUES
WAVELENGTH RANGE	1270-1610 nm FOR SM; 850 AND 1310 nm FOR MM
INSERTION LOSS	<5 DB (TYPICAL: 2-3 DB)
INSERTION LOSS RIPPLE	~+/-0.5 TO 1 DB
RETURN LOSS	45 DB
CROSSTALK	>50 DB (TYPICAL: 63 DB)
MAXIMUM SPEED	200 RPM
ESTIMATED LIFE CYCLE	100 MILLION REVOLUTIONS
WORKING TEMPERATURE	-20 TO 65 C
STORAGE TEMPERATURE	-25 TO 75 C
PACKAGE STYLE	RECEPTACLES (FC OR ST; UP TO 7 CHANNELS)
HOUSING MATERIAL	STAINLESS STEEL
FIBER TYPES	SINGLE OR MULTIMODE
VIBRATION	MIL-STD-167-1
MECHANICAL SHOCK	MIL-STD-810F
IP RATING	IP65: FOR J BODY ONLY; IP60: RECEPTACLE EXTENSIONS

UNLESS OTHERWISE SPECIFIED:
DIMENSIONS ARE IN mm
DO NOT SCALE DRAWING

TOLERANCES:
ANGULAR: $\pm 1/2^\circ$
ONE PLACE DECIMAL ± 0.100
TWO PLACE DECIMAL ± 0.050
THREE PLACE DECIMAL ± 0.025

MATERIAL:

	DATE	NAME	PRINCETEL, INC.
DRAWN	10/12/2015	L. X.	
CHECKED	10/29/2018	R. Z.	
ENG APPR.			
MFG APPR.			
COMMENTS: FIRST ANGLE PROJECTION			TITLE: JXnST(FC) RECEPTACLE, FORJ
SIZE	DWG. NO.	REV	
B	JXnST(FC)-AD	3	
PART NO.	-	SHEET 1 OF 1	

PROPRIETARY AND CONFIDENTIAL
THE INFORMATION CONTAINED IN THIS
DRAWING IS THE SOLE PROPERTY OF
PRINCETEL, INC. ANY REPRODUCTION
IN PART OR AS A WHOLE WITHOUT THE
WRITTEN PERMISSION OF PRINCETEL,
INC. IS PROHIBITED.

REVISIONS				
REV.	ZONE	DESCRIPTION	DATE	APP.
3		CORRECT IP RATE	10/29/18	B.Z.