

# CATALOG CODE RT-100-XX-XX

TORQUE IN-LBS
08
12
16
20

SHAFT END TYPE
01- FLAG
02- STRAIGHT
03- KNURLED SHAFT END

DYNAMIC TORQUE	
NOMINAL TORQUE (IN-LBS)	TOLERANCE
08	± 20%
12	± 20%
16	± 20%
20	± 20%

PRODUCT TORQUE SPECIFICATION AT +20°C.

## NOTES:

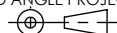
1. USER MUST DETERMINE FITNESS FOR USE IN APPLICATION.
2. ENVIRONMENTAL CONDITIONS: -20° TO +80°C. UP TO 10% OF LIFE CYCLES AT HOT AND COLD CONDITIONS.
3. LIFE: 50,000 CYCLES.  
ONE CYCLE CONSISTS OF 90° CW AND 90° CCW AT 10% DUTY CYCLE FOR SPEEDS LESS THAN 100RPM.
- [4] HINGE DESIGNED TO SUPPORT A MINIMAL AXIAL FORCE IN DIRECTION SHOWN, NOT DESIGNED TO SUPPORT AXIAL FORCE IN THE OPPOSITE DIRECTION.
5. MATERIALS:  
ZINC DIE CAST HOUSINGS & FLAG SHAFT ENDS  
STEEL STRAIGHT SHAFT ENDS  
HARDENED STEEL SHAFT  
HARDENED STEEL TORQUE CLIPS  
MINERAL OIL BASED LUBRICANT
6. FINISH:  
NON-COSMETIC PLAIN.  
CLEAR CHROMATE RUST PREVENTATIVE COATING ON THE STRAIGHT SHAFT.
7. SHIP ANGLE 0° ± 5° BETWEEN HOUSINGS.
- [8] DESIGNED TO ACCEPT M4 OR #8 SCREW OR EQUIVALENT.



TDS Precision Products GmbH  
Industriestrasse 1a  
CH-8157 Dielsdorf  
T + 41 44 885 30 80  
info@tds-pp.com  
www.tds-pp.com

INTERPRET PRINT PER  
ASME Y14.5M-1994  
THIS PRINT IS THE  
CONFIDENTIAL PROPERTY  
OF REELL PRECISION MFG.

THIRD ANGLE PROJECTION



LEVEL	DESCRIPTION	DRAWN	DATE	APPROVED
DRAWN:	TLS	DATE:	23JUN11	REFERENCE:
CHECKED:	BLJ	DATE:	12DEC11	TITLE: <b>SALES DRAWING</b>
APPROVED:	BLJ	DATE:	12DEC11	
REVISED:	04AUG20	DIMS:	mm	
		PART NO:		REV:
		RT-100		H
REELL PRECISION MANUFACTURING 1259 WILLOW LAKE BOULEVARD SAINT PAUL, MINNESOTA 55110-5103, USA		SCALE: 1:2	DO NOT SCALE DRAWING	SHEET 1 OF 5

SPECIFICATION SUBJECT TO CHANGE

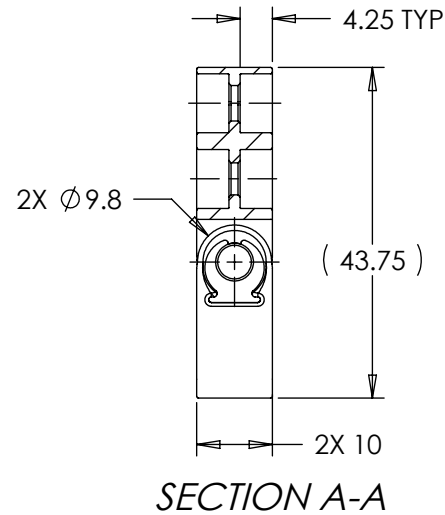
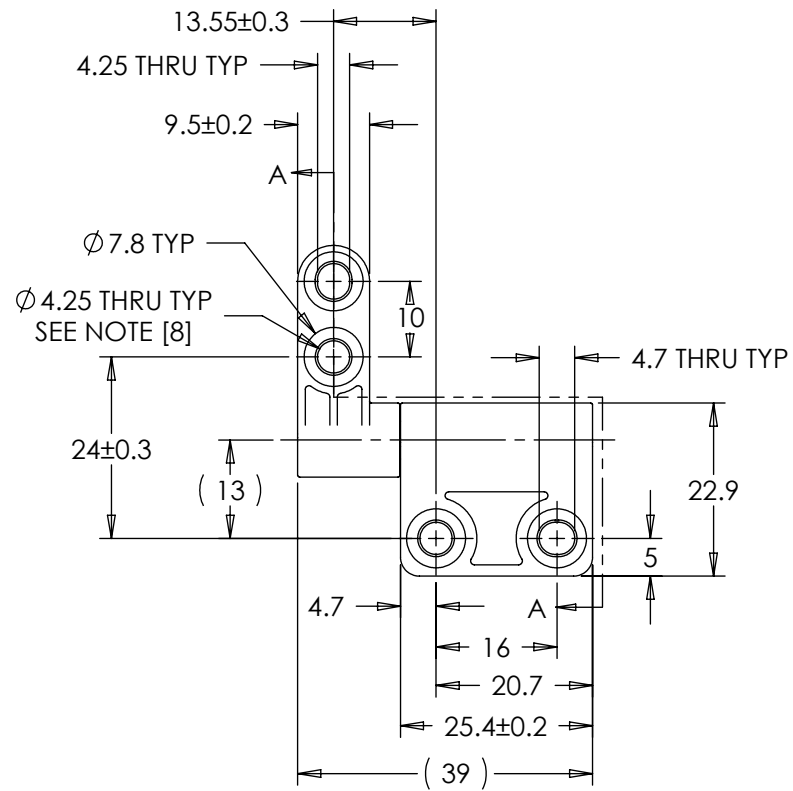
8 7 6 5 4 3 2 1

D

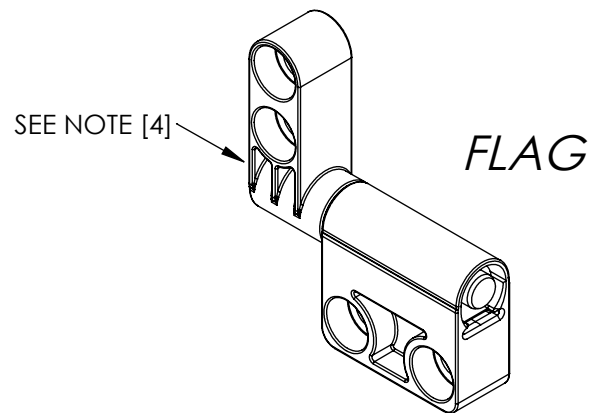
C

B

A



APPROXIMATE WEIGHT: 42 GRAMS



SPECIFICATION SUBJECT TO CHANGE

ALL DIMENSIONS REFERENCE  
SEE CAD MODEL FOR UNSPECIFIED FEATURES.

**TDS** Precision Products  
 TDS Precision Products GmbH  
 Industriestrasse 1a  
 CH-8157 Dielsdorf  
 T + 41 44 885 30 80  
 info@tds-pp.com  
 www.tds-pp.com

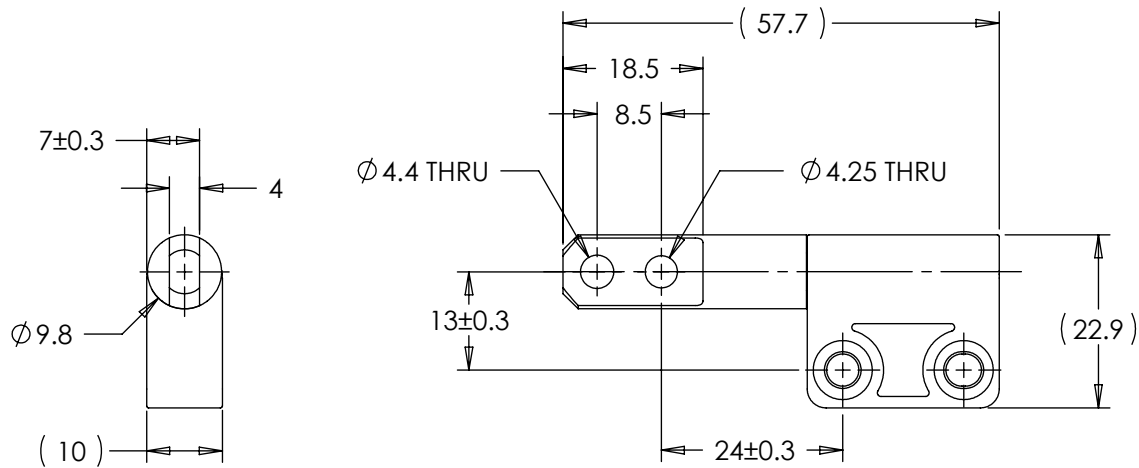
INTERPRET PRINT PER  
 ASME Y14.5M-1994  
 THIS PRINT IS THE  
 CONFIDENTIAL PROPERTY  
 OF REELL PRECISION MFG.  
 THIRD ANGLE PROJECTION

LEVEL	DESCRIPTION		DRAWN	DATE	APPROVED
DRAWN:	TLS	DATE: 23JUN11	REFERENCE:		
CHECKED:	BLJ	DATE: 12DEC11	TITLE:		
APPROVED:	BLJ	DATE: 12DEC11	<b>SALES DRAWING</b>		
REVISED:	04AUG20	DIMS: mm			
REELL PRECISION MANUFACTURING 1259 WILLOW LAKE BOULEVARD SAINT PAUL, MINNESOTA 55110-5103, USA			PART NO: <b>RT-100</b>		REV: <b>H</b>
SCALE: 1:1		DO NOT SCALE DRAWING		SHEET 2 OF 5	

8 7 6 5 4 3 2 1

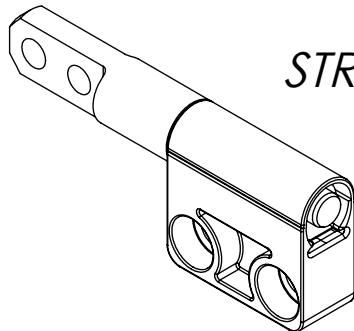
8 7 6 5 4 3 2 1

D  
C  
B  
A



APPROXIMATE WEIGHT: 38 GRAMS

SEE NOTE [4]



*STRAIGHT*

SEE SINGLE FLAG ASSEMBLY DRAWING FOR UNSPECIFIED BRACKET DIMENSIONS

SPECIFICATION SUBJECT TO CHANGE

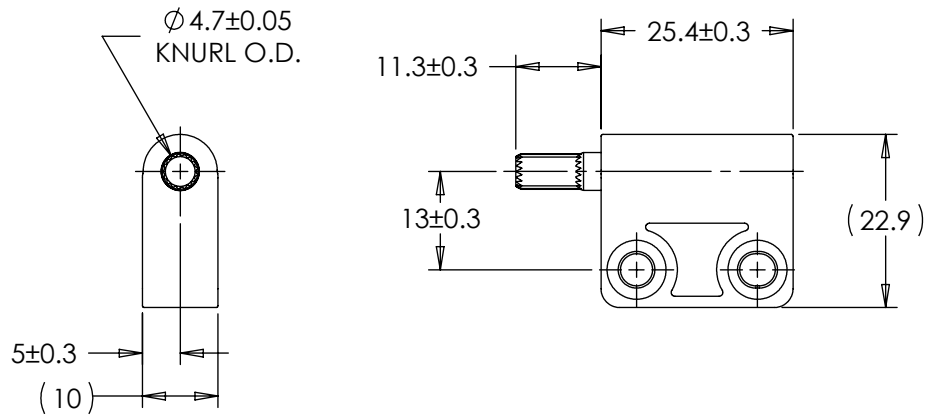
**TDS** Precision Products  
 TDS Precision Products GmbH  
 Industriestrasse 1a  
 CH-8157 Dielsdorf  
 T + 41 44 885 30 80  
 info@tds-pp.com  
 www.tds-pp.com

INTERPRET PRINT PER ASME Y14.5M-1994  
 THIS PRINT IS THE CONFIDENTIAL PROPERTY OF REELL PRECISION MFG.  
 THIRD ANGLE PROJECTION

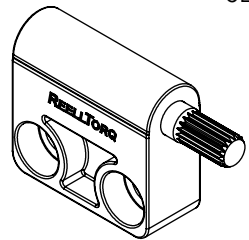
ALL DIMENSIONS REFERENCE  
 SEE CAD MODEL FOR UNSPECIFIED FEATURES.

LEVEL	DESCRIPTION		DRAWN	DATE	APPROVED
DRAWN:	TLS	DATE: 23JUN11	REFERENCE:		
CHECKED:	BLJ	DATE: 12DEC11	TITLE:		
APPROVED:	BLJ	DATE: 12DEC11	<b>SALES DRAWING</b>		
REVISED:	04AUG20	DIMS: mm			
REELL PRECISION MANUFACTURING 1259 WILLOW LAKE BOULEVARD SAINT PAUL, MINNESOTA 55110-5103, USA			PART NO: <b>RT-100</b>		REV: <b>H</b>
SCALE: 1:1		DO NOT SCALE DRAWING		SHEET 3 OF 5	

8 7 6 5 4 3 2 1

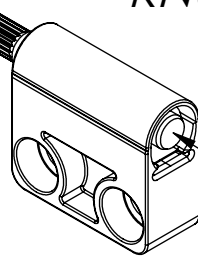


APPROXIMATE WEIGHT: 27 GRAMS



SEE NOTE [4]

**KNURLED SHAFT END**



SUPPORT ON  
END OF SHAFT  
WHEN INSTALLING  
PART ONTO KNURL

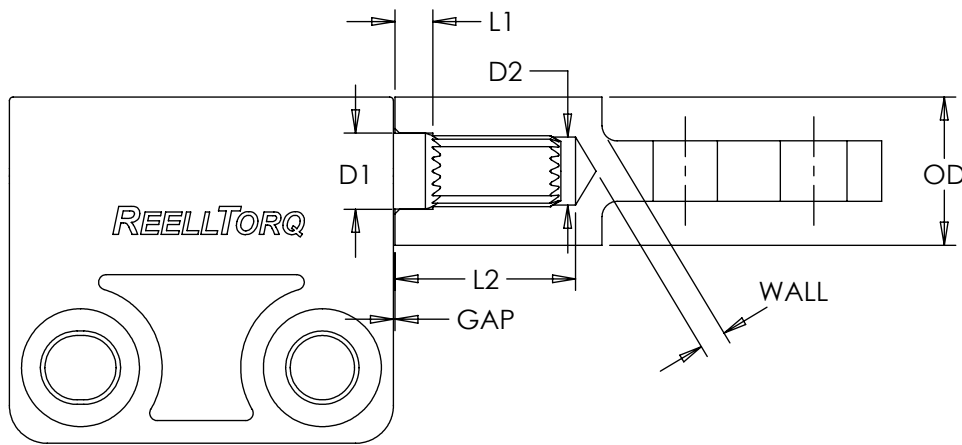
ALL DIMENSIONS REFERENCE  
SEE CAD MODEL FOR UNSPECIFIED FEATURES.

SEE SINGLE FLAG ASSEMBLY DRAWING  
FOR UNSPECIFIED BRACKET DIMENSIONS  
SPECIFICATION SUBJECT TO CHANGE

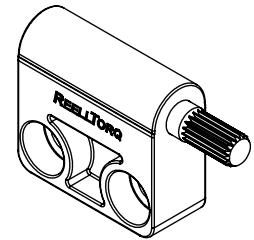
INTERPRET PRINT PER  
ASME Y14.5M-1994  
THIS PRINT IS THE  
CONFIDENTIAL PROPERTY  
OF REELL PRECISION MFG.  
THIRD ANGLE PROJECTION

LEVEL	DESCRIPTION		DRAWN	DATE	APPROVED
DRAWN:	TLS	DATE: 23JUN11	REFERENCE:		
CHECKED:	BLJ	DATE: 12DEC11	TITLE:		
APPROVED:	BLJ	DATE: 12DEC11	SALES DRAWING		
REVISED:	04AUG20	DIMS: mm			
REELL PRECISION MANUFACTURING 1259 WILLOW LAKE BOULEVARD SAINT PAUL, MINNESOTA 55110-5103, USA			PART NO: <b>RT-100</b>		REV: <b>H</b>
SCALE: 1:1		DO NOT SCALE DRAWING		SHEET 4 OF 5	

MATERIAL	D1	D2	L1	L2	OD	WALL	GAP
DIE CAST ZINC	4.93±0.03	4.5±0.03	2.5±0.1	11.5 MIN	8 MIN	1 MIN	0.1 NOMINAL
DIE CAST ALUMINUM							
MILD STEEL	5.05±0.05	4.495±0.015					
WROUGHT ALUMINUM							



**RECOMMENDED  
MATING GEOMETRY  
FOR KNURLED  
SHAFT END**



**TDS** Precision Products  
 TDS Precision Products GmbH  
 Industriestrasse 1a  
 CH-8157 Dielsdorf  
 T + 41 44 885 30 80  
 info@tds-pp.com  
 www.tds-pp.com

INTERPRET PRINT PER  
 ASME Y14.5M-1994  
 THIS PRINT IS THE  
 CONFIDENTIAL PROPERTY  
 OF REELL PRECISION MFG.  
 THIRD ANGLE PROJECTION

LEVEL	DESCRIPTION	DRAWN	DATE	APPROVED
DRAWN:	TLS	DATE:	23JUN11	REFERENCE:
CHECKED:	BLJ	DATE:	12DEC11	TITLE:
APPROVED:	BLJ	DATE:	12DEC11	
REVISED:	04AUG20	DIMS:	mm	<b>SALES DRAWING</b>
PART NO:		RT-100		REV:
				H
SCALE: 1:2	DO NOT SCALE DRAWING		SHEET 5 OF 5	

SPECIFICATION SUBJECT TO CHANGE