

Data sheet for Plastic Housing

Electronics plastic housing

Series TPC



The universal plastic housings of the TPC series are characterized in particular by the protective cover made of silicone in different colours. The elastic and non-slip protective cover protects the housing against vibrations and serves as an impact protection. The housings are available in 18 colour combinations and 6 housing sizes. The housing material is made of ABS (UL94-HB or UL94V-0). Inside the plastic housing, mounting possibilities for circuit boards are provided.

- Plastic hand-held housing in 6 different sizes
- Protective cover made of silicone in numerous colours
- Numerous colour combinations possible

Data Housing

Material	ABS UL94-HB (black or light grey), ABS UL94V-0 (white)
Colour	Black, light grey, white
Protection class	IP40
Operating temperature range	-10°C...+60°C
Mounting parts	Included in delivery screws 4 x M3 x 20 (steel black chromated)

Data Silicone Cover

Material	Silicone
Colour	Pink, yellow, green, navy blue, light grey, black

Housing Kind	External Dimensions W x H x L(D)	Internal Dimensions W x H x L(D)	Mass UL94-HB	Mass UL94V-0
73-130	71 x 32 x 136 mm	65 x 25,6 x 130 mm	ca. 117 g	ca. 126 g
75-130	71 x 56 x 136 mm	65 x 50,1 x 130 mm	ca. 148 g	ca. 163 g
94-170	91,5 x 41,5 x 176 mm	85,5 x 35,5 x 170 mm	ca. 193 g	ca. 211 g
96-170	91,5 x 66,5 x 176 mm	85,5 x 60,5 x 170 mm	ca. 243 g	ca. 266 g
115-220	116 x 51,5 x 226 mm	110 x 45,3 x 220 mm	ca. 326 g	ca. 357 g
118-220	116 x 81,5 x 226 mm	110 x 75,3 x 220 mm	ca. 399 g	ca. 438 g

Data sheet for Plastic Housing

Electronics plastic housing

Series TPC

Order Code

Description	Selection: standard=black/bold, possible options=grey/cursive			
Series:	TPC			
External dimensions housing W x H x L:				
71 x 32 x 136 mm		73-130		
71 x 56 x 136 mm		75-130		
91,5 x 41,5 x 176 mm		94-170		
91,5 x 66,5 x 176 mm		96-170		
116 x 51,5 x 226 mm		115-220		
116 x 81,5 x 226 mm		118-220		
Housing colour:				
Black			B	
Light grey			G	
White			W	
Colour silicone cover:				
Pink				P
Yellow				Y
Green				GN
Navy blue				BL
Grey				G
Black				B

Color Type

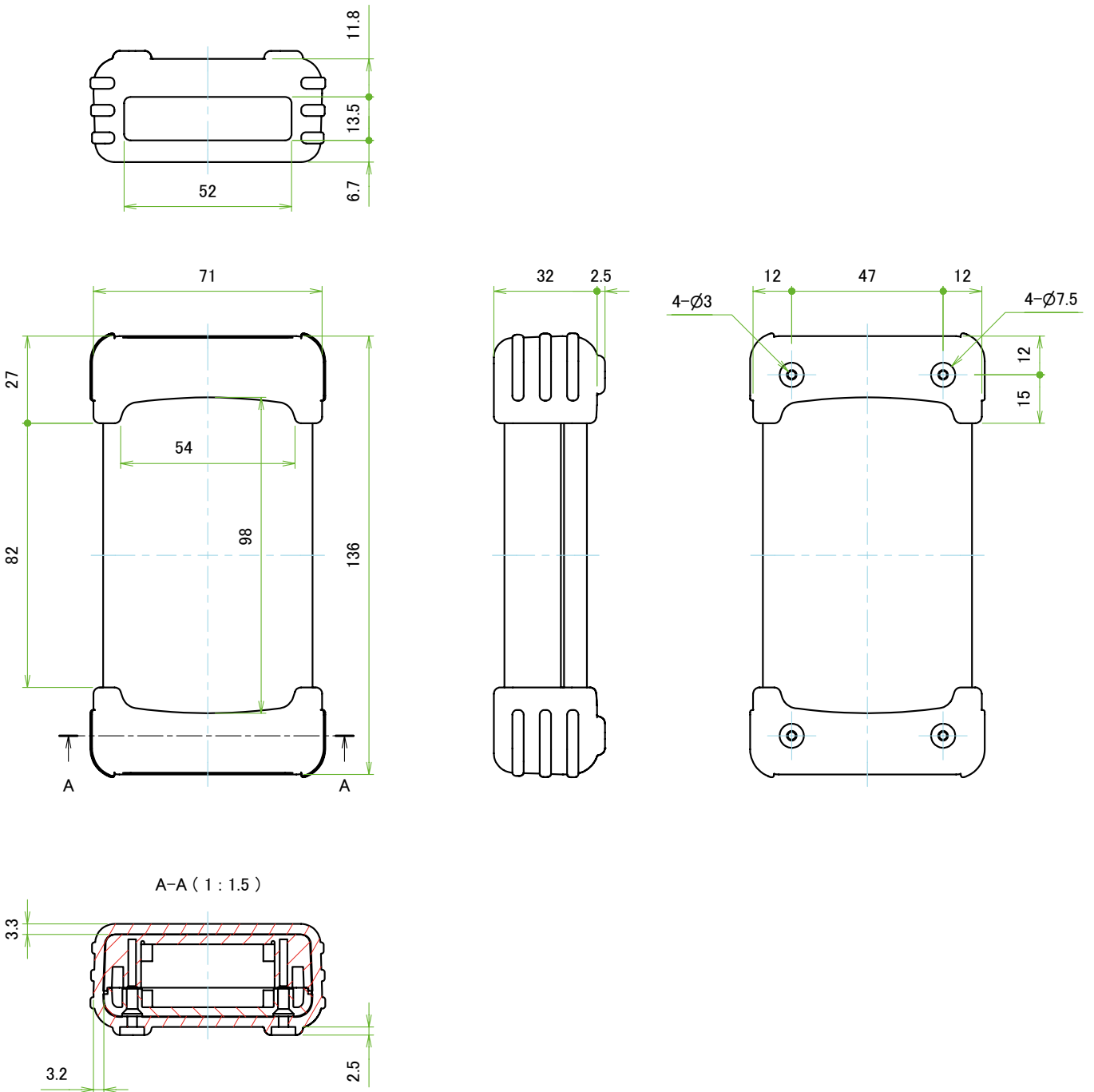
Code	B P Black / Pink	B Y Black / Yellow	B G Black / Green	B N Black / Navy	B L Black / Light gray	B B Black / Black
Color						
Code	G P Light gray / Pink	G Y Light gray / Yellow	G G Light gray / Green	G N Light gray / Navy	G L Light gray / Light gray	G B Light gray / Black
Color						
Code	W P Off-white / Pink	W Y Off-white / Yellow	W G Off-white / Green	W N Off-white / Navy	W L Off-white / Light gray	W B Off-white / Black
Color						

Data sheet for Plastic Housing

Electronics plastic housing

Series TPC

Drawing TPC73-130 external

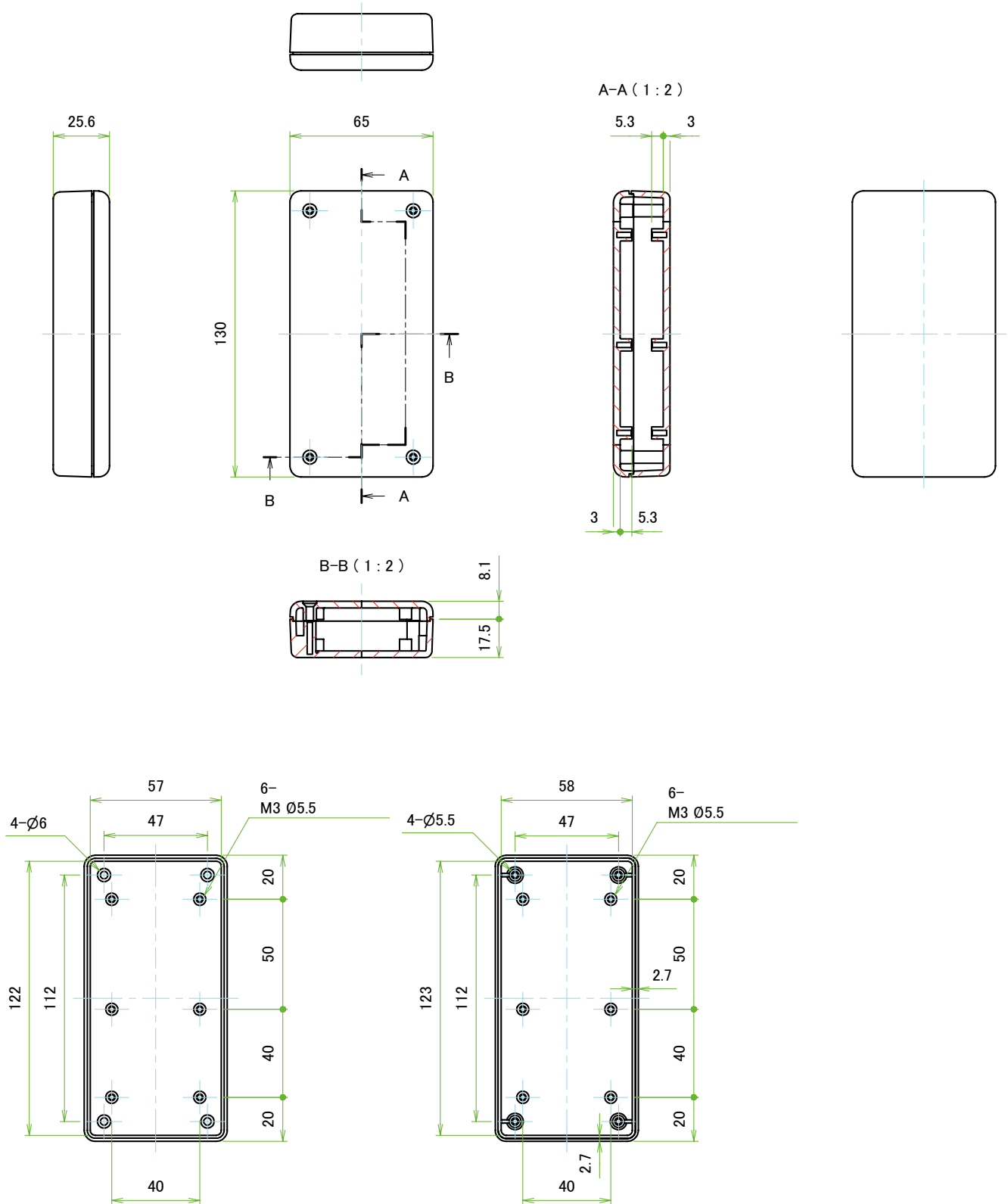


Data sheet for Plastic Housing

Electronics plastic housing

Series TPC

Drawing TPC73-130 internal

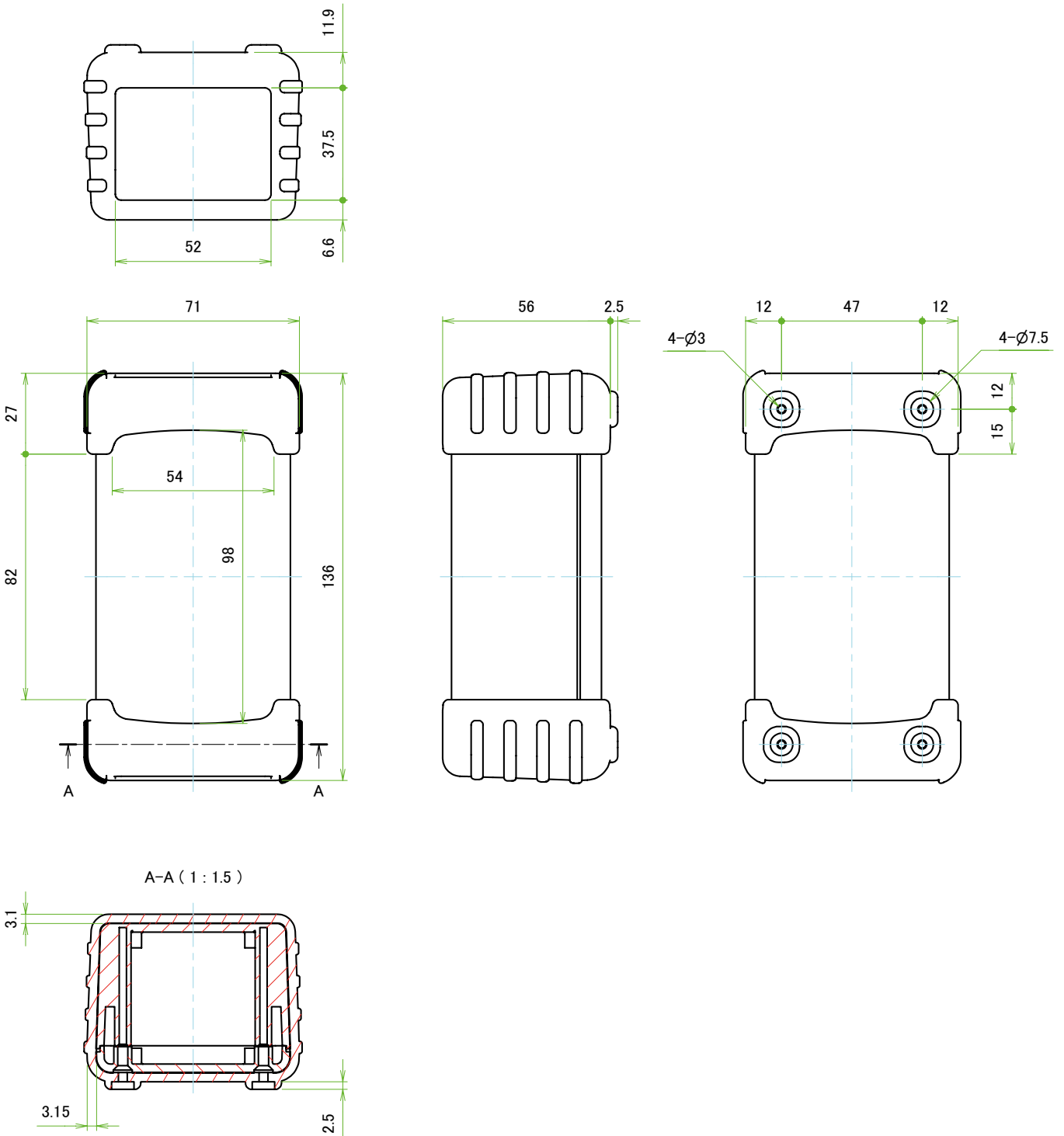


Data sheet for Plastic Housing

Electronics plastic housing

Series TPC

Drawing TPC75-130 external

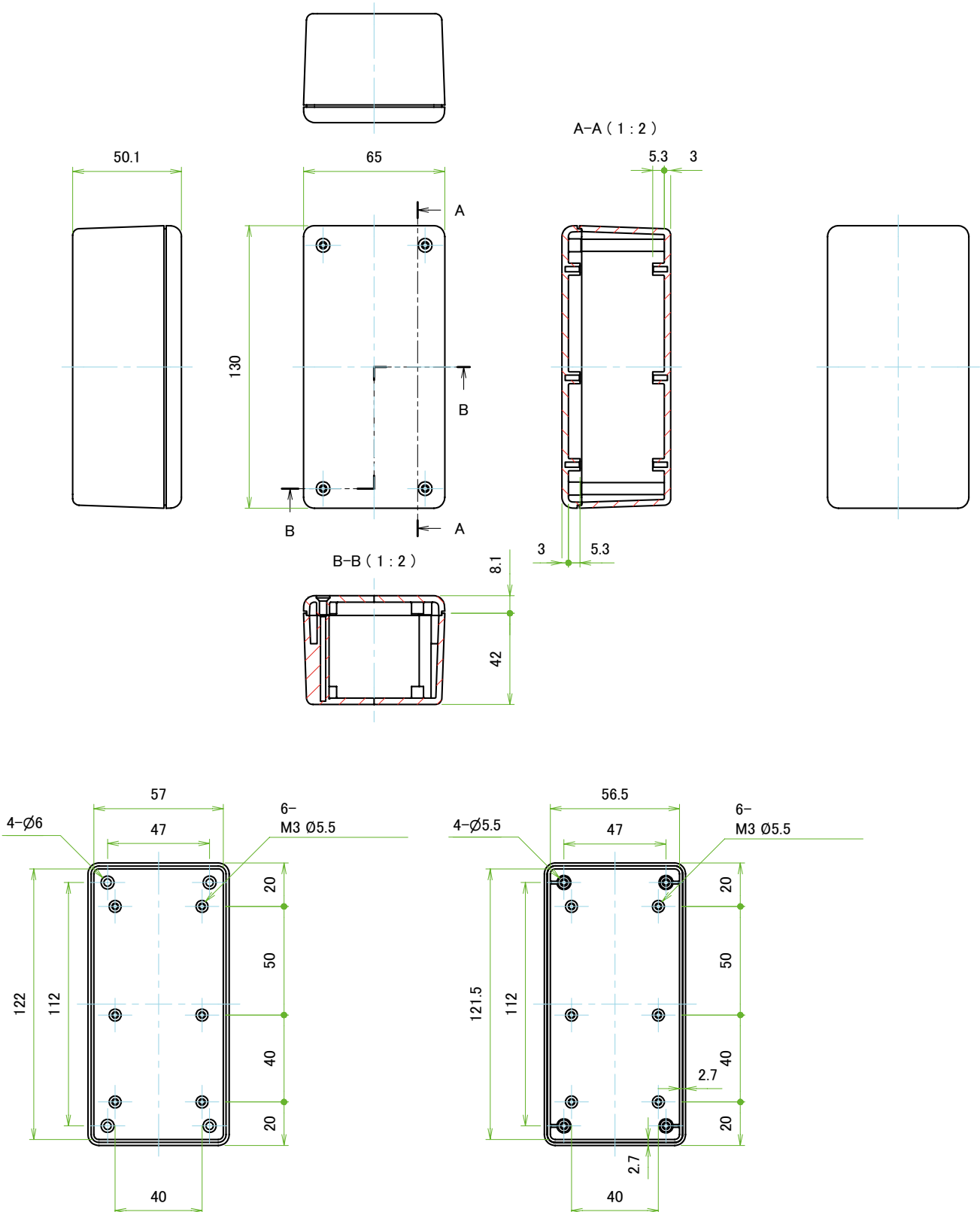


Data sheet for Plastic Housing

Electronics plastic housing

Series TPC

Drawing TPC75-130 internal

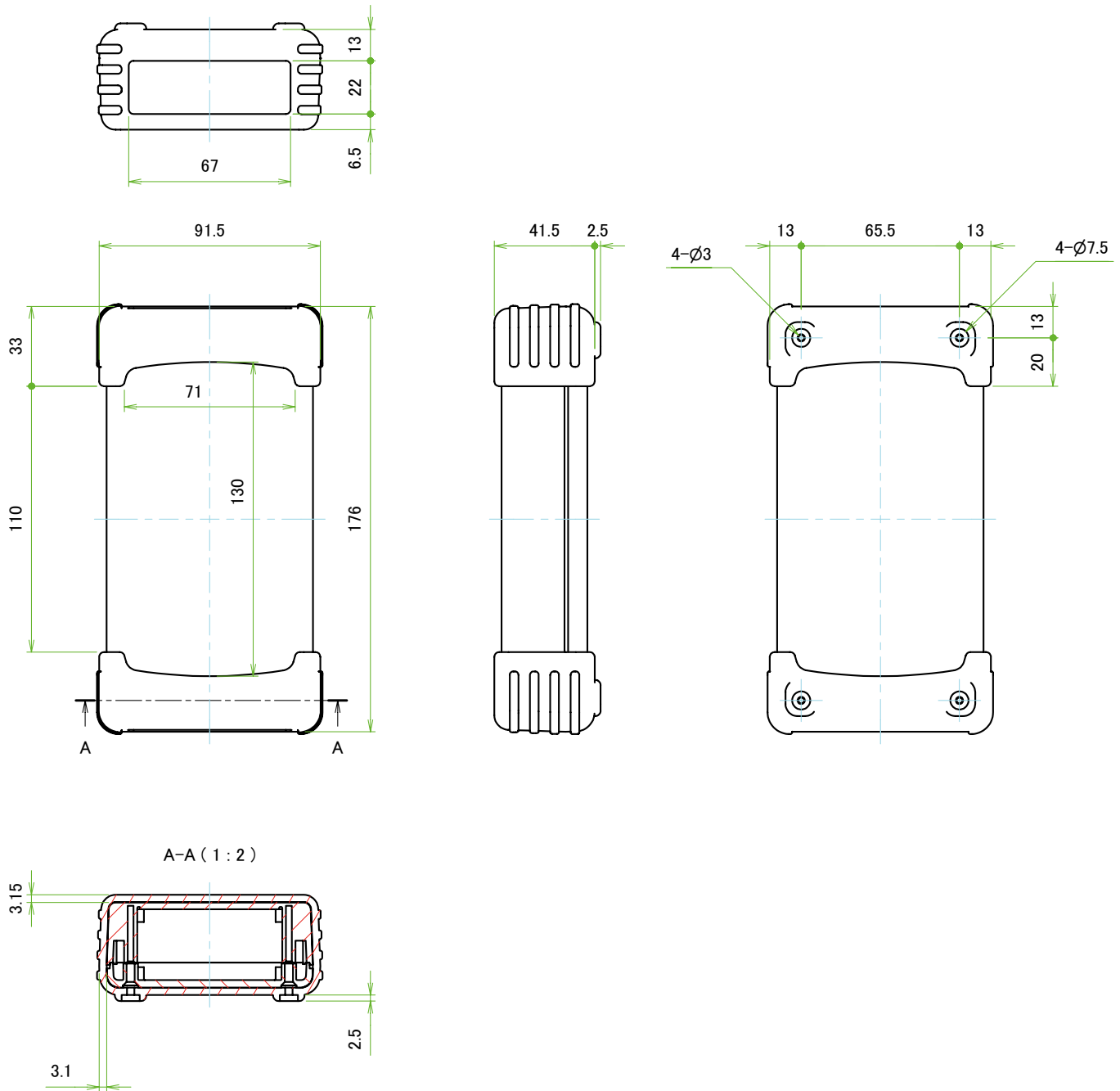


Data sheet for Plastic Housing

Electronics plastic housing

Series TPC

Drawing TPC94-170 external

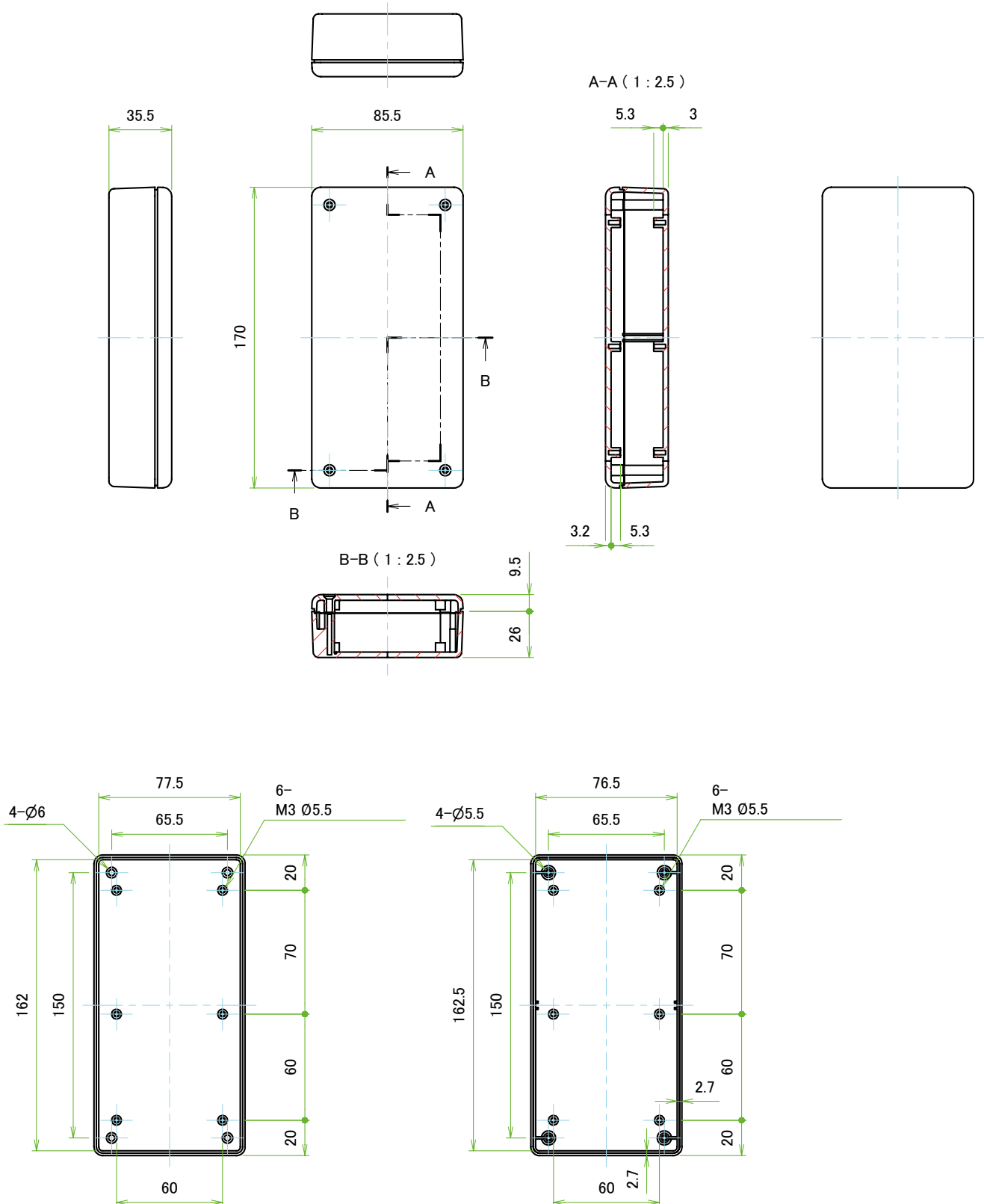


Data sheet for Plastic Housing

Electronics plastic housing

Series TPC

Drawing TPC94-170 internal

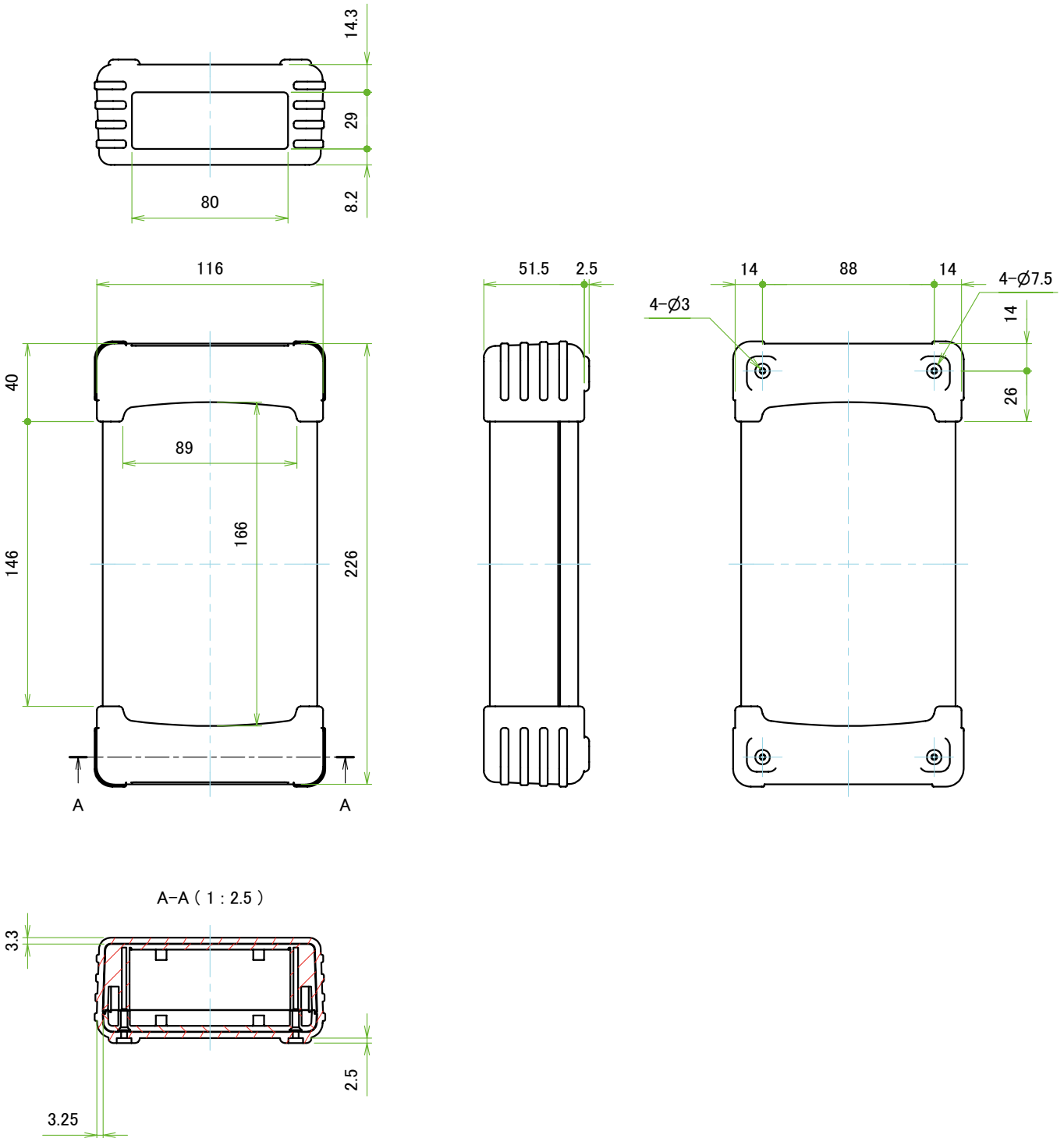


Data sheet for Plastic Housing

Electronics plastic housing

Series TPC

Drawing TPC115-220 external

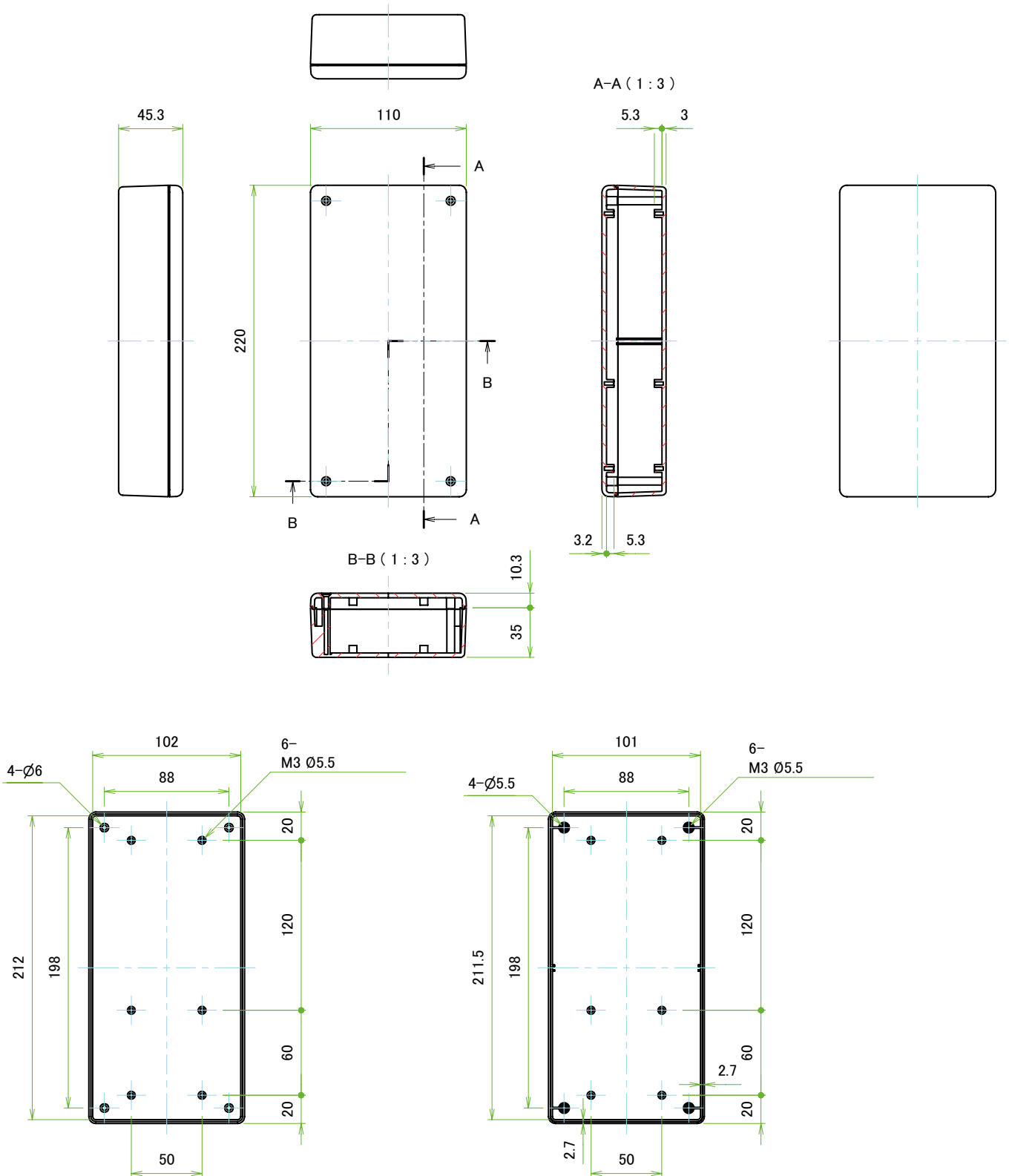


Data sheet for Plastic Housing

Electronics plastic housing

Series TPC

Drawing TPC115-220 internal

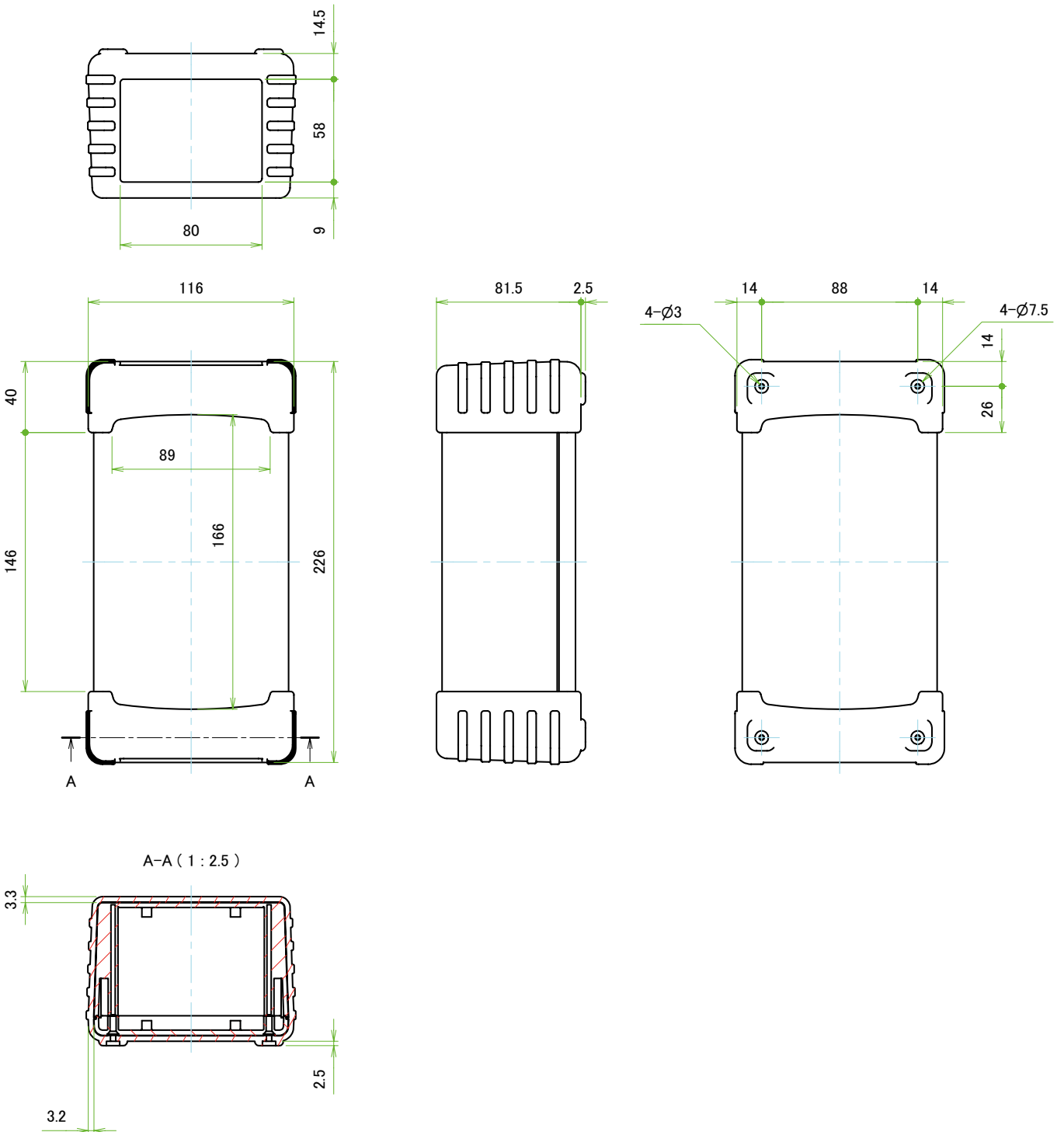


Data sheet for Plastic Housing

Electronics plastic housing

Series TPC

Drawing TPC118-220 external



Data sheet for Plastic Housing

Electronics plastic housing

Series TPC

Drawing TPC118-220 internal

