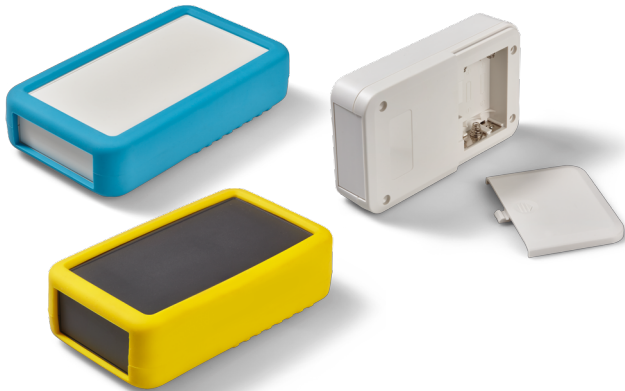


Data sheet for Plastic Housing

Electronics plastic housing

Series TKC



Plastic hand-held housing TKC with battery compartment and protective cover

- For 8 different battery types
- Plastic hand-held housing in 9 different sizes
- Protective cover made of silicone in numerous colours
- Numerous colour combinations possible

The hand-held housings of the TKC series are characterized in particular by the differently coloured elastic silicone protective covers. The protective covers provide a non-slip support as well as protection against shocks. The combination of the housing sizes, housing colours, colours of the protective covers and the selection of battery compartments results in a very large variety of variants. The plastic housings are for example suitable for use as a measuring instrument, test instrument, for data transmission, in medical technology etc.

Data Housing

Material	ABS UL94-V0
Colour	Dark grey, cream
Protection class	IP40
Operating temperature range	-10°C...+60°C
Battery compartment	With or without AAA x 2, AAA x 3, AAA x 4, AAA x 6, AA x 2, AA x 3, AA x 4, 9V x1
Mounting parts	Included in delivery screws 4 x M 2,6 (steel nickel-plated or black chromated)

Data Silicone Cover

Material	Silicone
Colour	Red, yellow, green, blue, navy blue, dark grey, light grey

Housing Kind	External Dim. with Silicone Cover W x H x L(D)	External Dim. without Silicone Cover W x H x L(D)	Mass
115	74 x 24 x 120 mm	69 x 19,5 x 115 mm	ca. 115 g
115H	74 x 32,5 x 120 mm	69 x 28 x 115 mm	ca. 140 g
135	81 x 32 x 141 mm	76 x 27 x 135 mm	ca. 175 g
135H	81 x 40 x 141 mm	76 x 35 x 135 mm	ca. 195 g
145S	101 x 25 x 151 mm	96 x 20 x 145 mm	ca. 195 g
145	101 x 32 x 151 mm	96 x 27 x 145 mm	ca. 215 g
145H	101 x 40 x 151 mm	96 x 35 x 145 mm	ca. 240 g
165	85 x 32 x 171 mm	80 x 27 x 165 mm	ca. 210 g
165H	85 x 40 x 171 mm	80 x 35 x 165 mm	ca. 230 g

Data sheet for Plastic Housing

Electronics plastic housing

Series TKC

Order Code

Description

Selection: standard=black/bold, possible options=grey/cursive

Series:	TKC			
External dim. without silicone cover				
W x H x L(D):				
69 x 19,5 x 115 mm	115		N/A2/A3	
69 x 28 x 115 mm	115H		N/A2/A3/B2/9V	
76 x 27 x 135 mm	135		N/A4/B2/B3/9V	
76 x 35 x 135 mm	135H		N/A4/B2/B3/9V	
96 x 20 x 145 mm	145S		N/A6	
96 x 27 x 145 mm	145		N/A6/B2/B4	
96 x 35 x 145 mm	145H		N/A6/B2/B4	
80 x 27 x 165 mm	165		N/B4	
80 x 35 x 165 mm	165H		N/B4	
Battery compartment:				
Without = N				
for AAA x 2 = A2			See above for conditions. Please choose a variant	
for AAA x 3 = A3				
for AAA x 4 = A4				
for AAA x 6 = A6				
for AA x 2 = B2				
for AA x 3 = B3				
for AA x 4 = B4				
for 9V x 1 = 9V				
Housing colour:				
Dark grey			D	
Cream			C	
Colour silicone cover:				
Red				R
Yellow				Y
Green				G
Blue				B
Navy blue				N
Dark grey				D
Light grey				L

Data sheet for Plastic Housing

Electronics plastic housing

Series TKC

Battery Type

Type	N None	A2 AAA x 2	A3 AAA x 3	A4 AAA x 4	A6 AAA x 6	B2 AA x 2	B3 AA x 3	B4 AA x 4	9V 9V x 1
Battery compartment									

Color Type

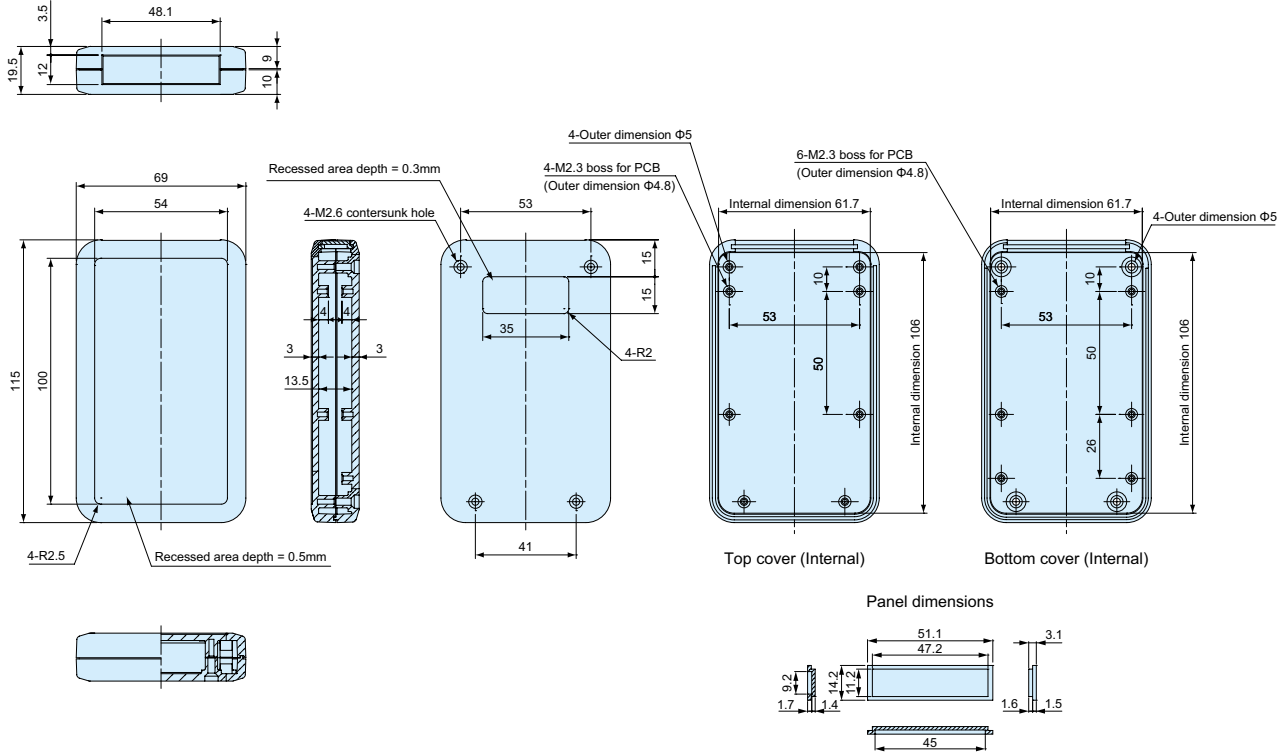
Code	D R Dark gray / Red	D Y Dark gray / Yellow	D G Dark gray / Green	D B Dark gray / Blue	D N Dark gray / Navy	D D Dark gray / Dark gray	D L Dark gray / Light gray
Color							
Code	C R Off-white / Red	C Y Off-white / Yellow	C G Off-white / Green	C B Off-white / Blue	C N Off-white / Navy	C D Off-white / Dark gray	C L Off-white / Light gray
Color							

Data sheet for Plastic Housing

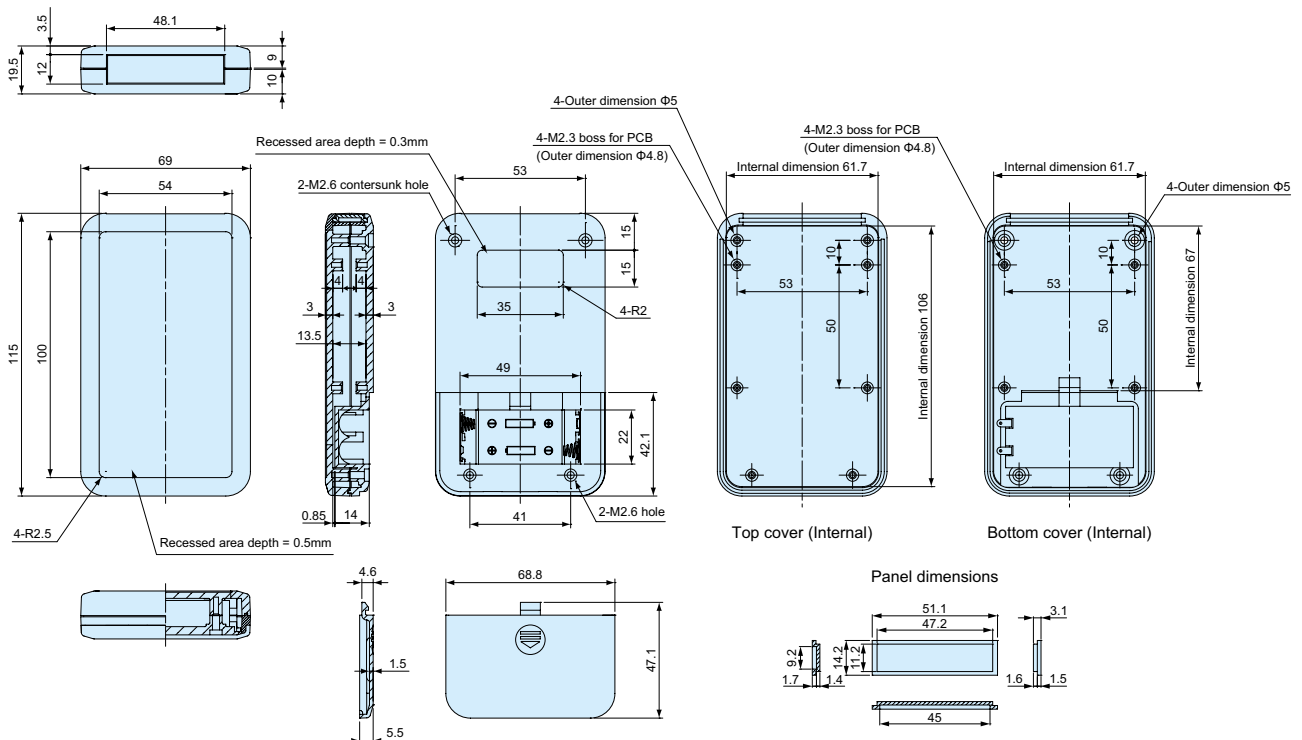
Electronics plastic housing

Series TKC

Drawing TKC 115 N



Drawing TKC 115 A2

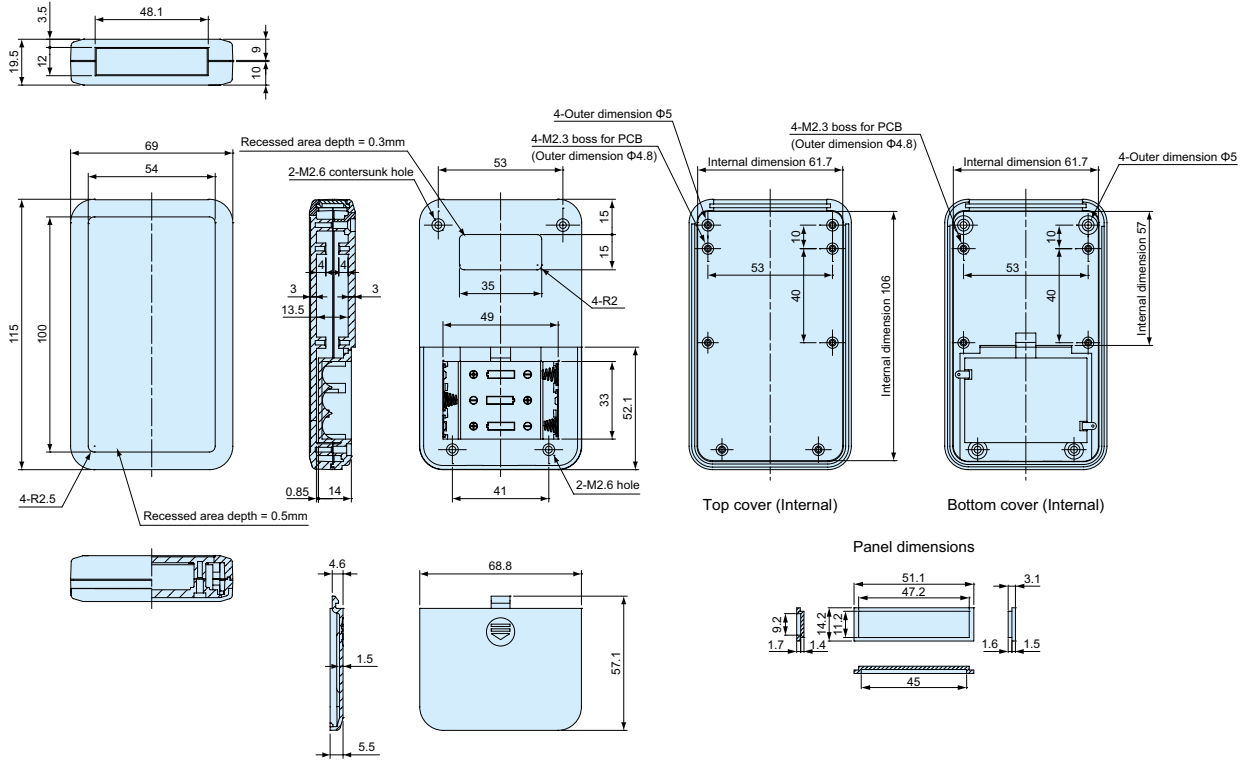


Data sheet for Plastic Housing

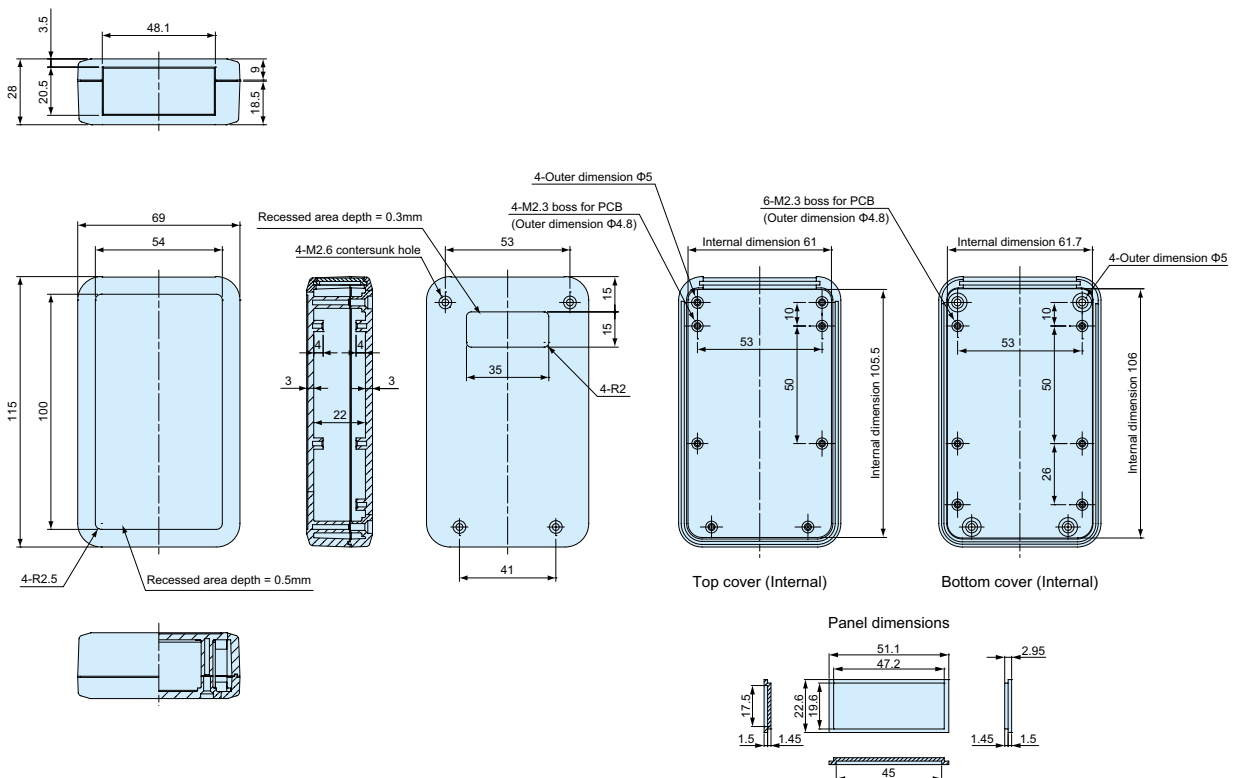
Electronics plastic housing

Series TKC

Drawing TKC 115 A3



Drawing TKCH 115 N

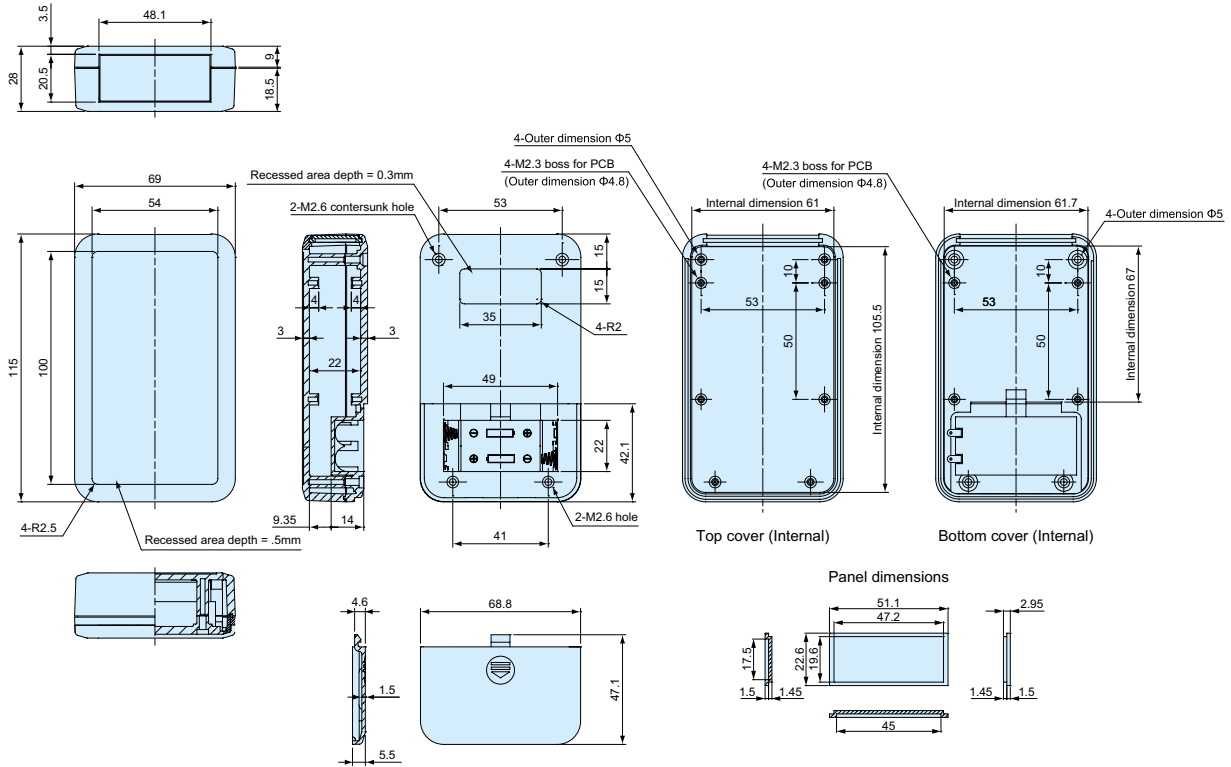


Data sheet for Plastic Housing

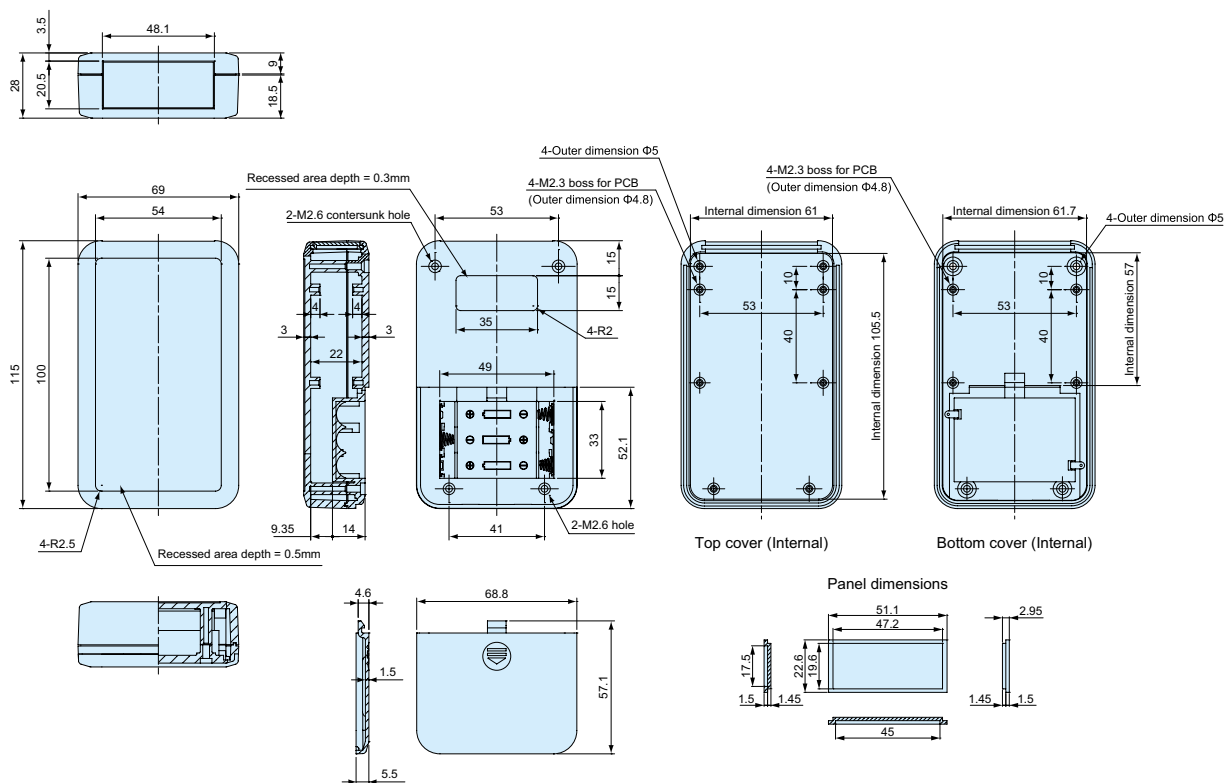
Electronics plastic housing

Series TKC

Drawing TKCH 115 A2



Drawing TKCH 115 A3

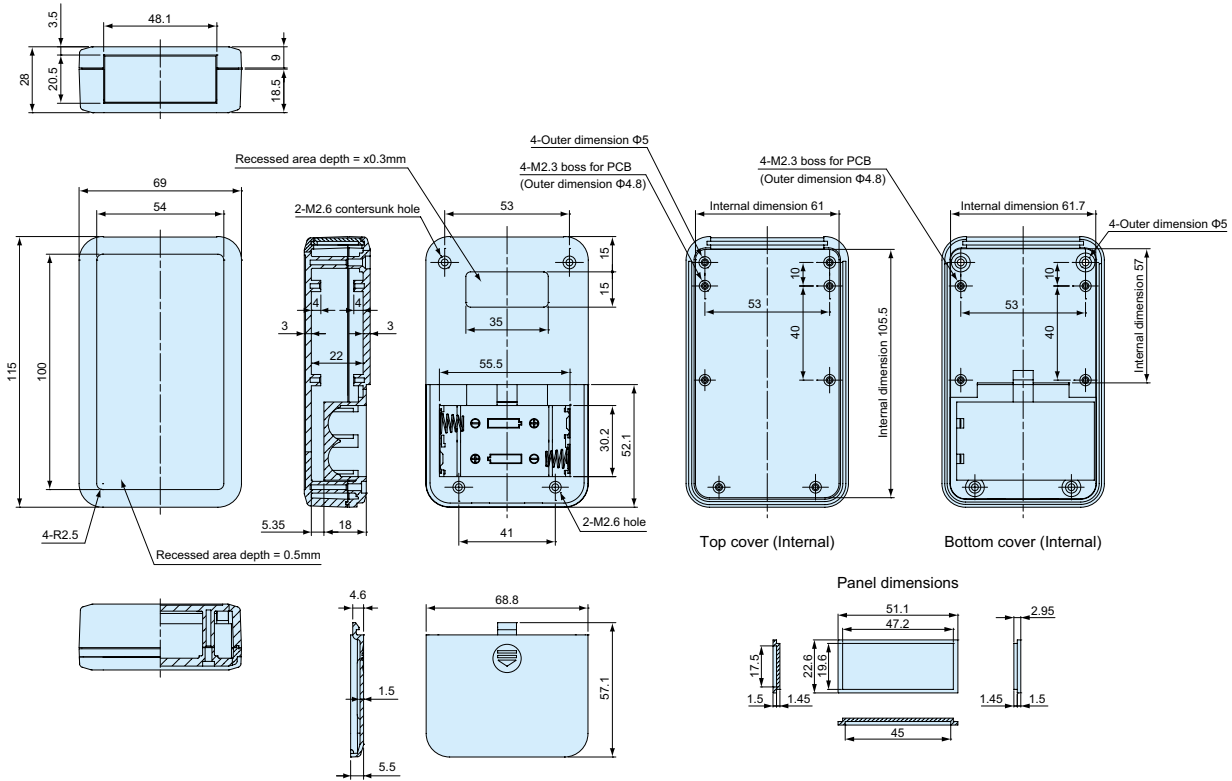


Data sheet for Plastic Housing

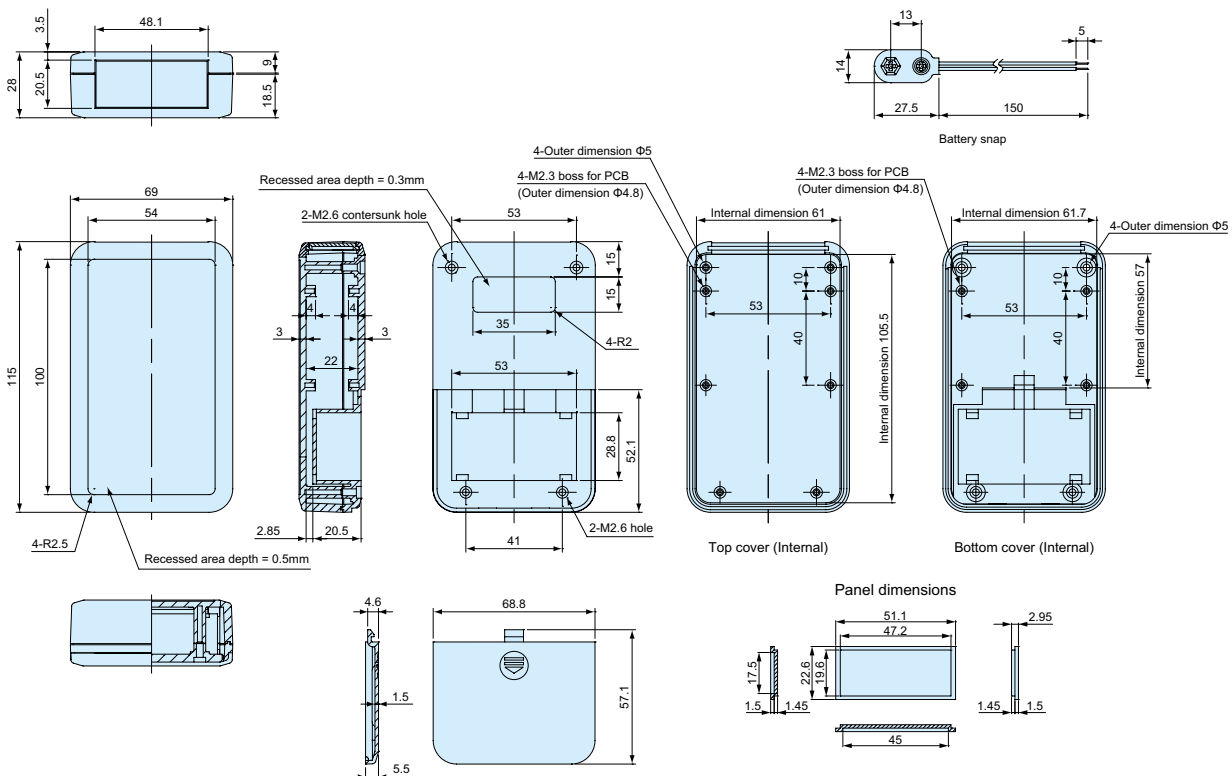
Electronics plastic housing

Series TKC

Drawing TKCH 115 B2



Drawing TKCH 115 9V

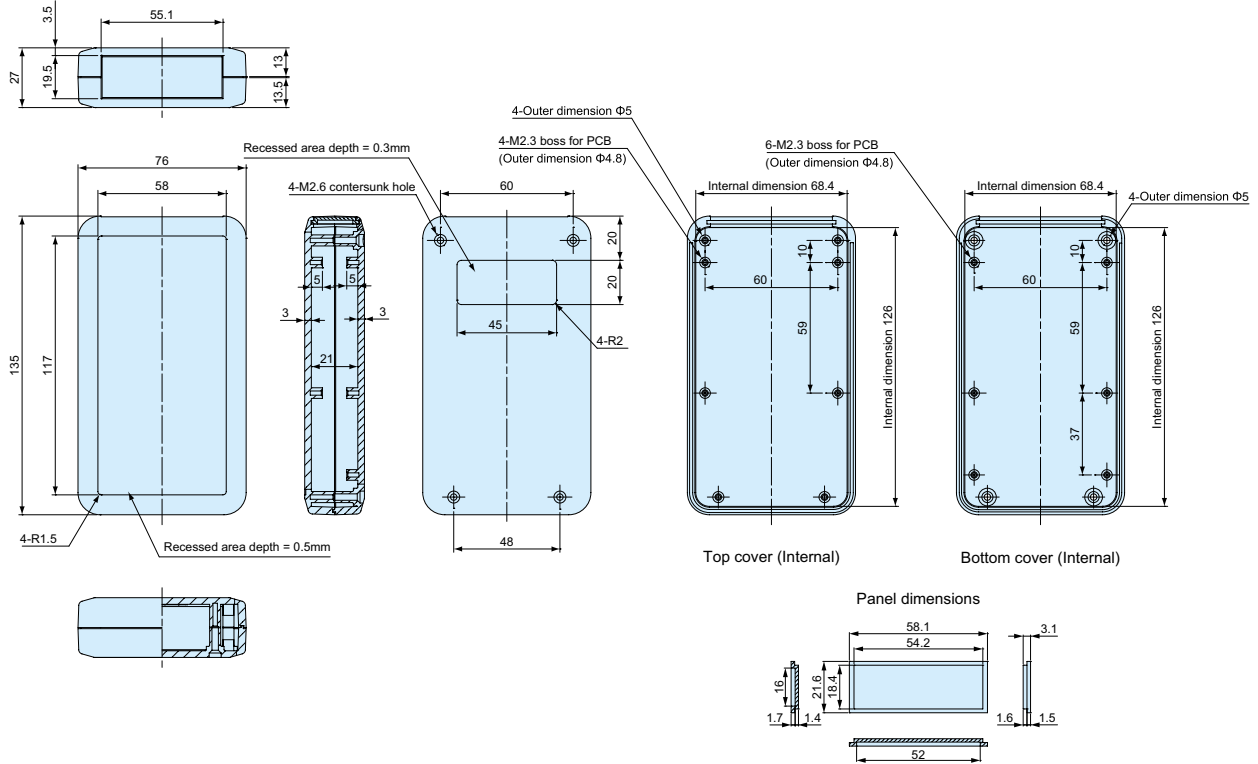


Data sheet for Plastic Housing

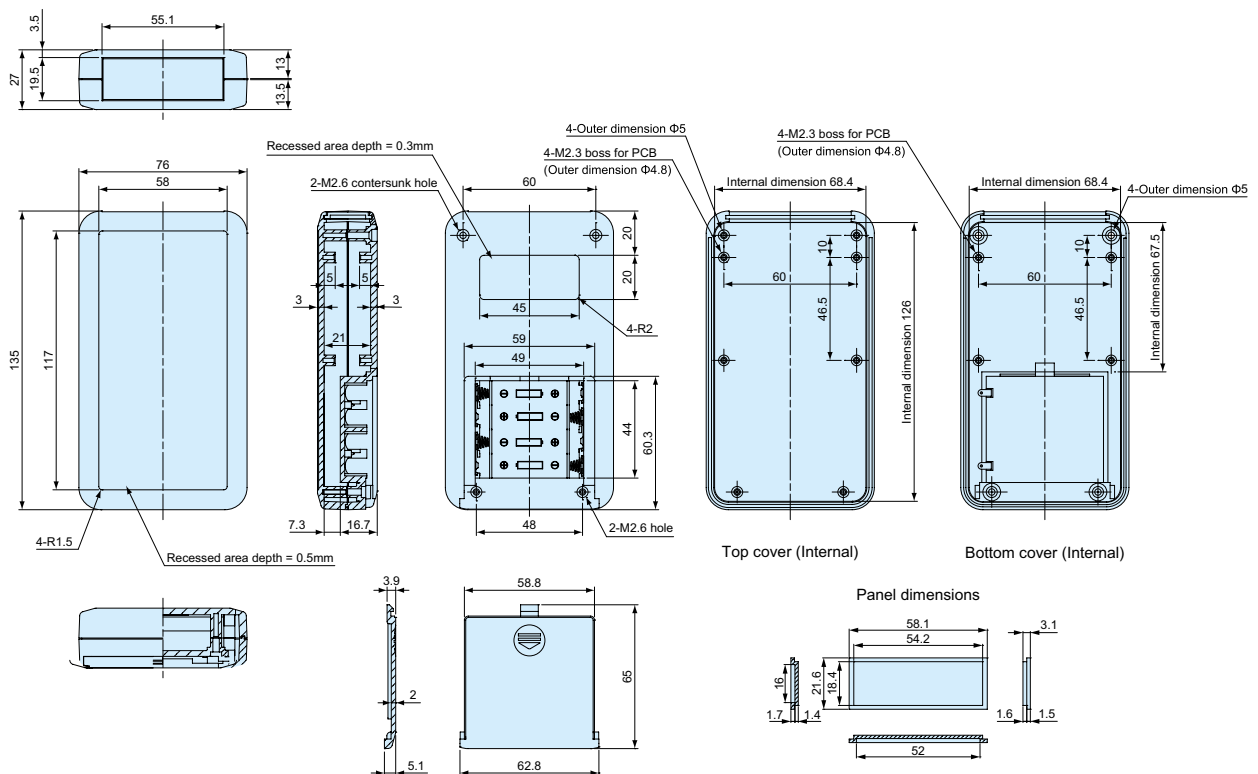
Electronics plastic housing

Series TKC

Drawing TKC 135 N



Drawing TKC 135 A4

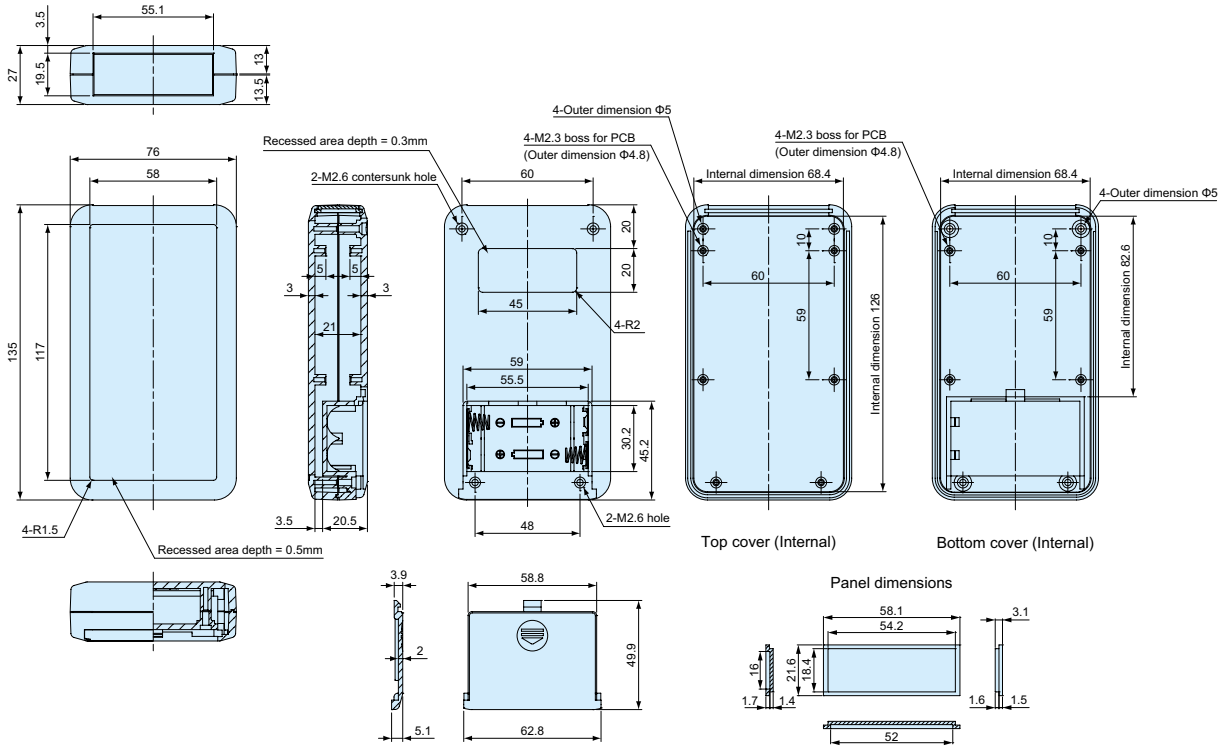


Data sheet for Plastic Housing

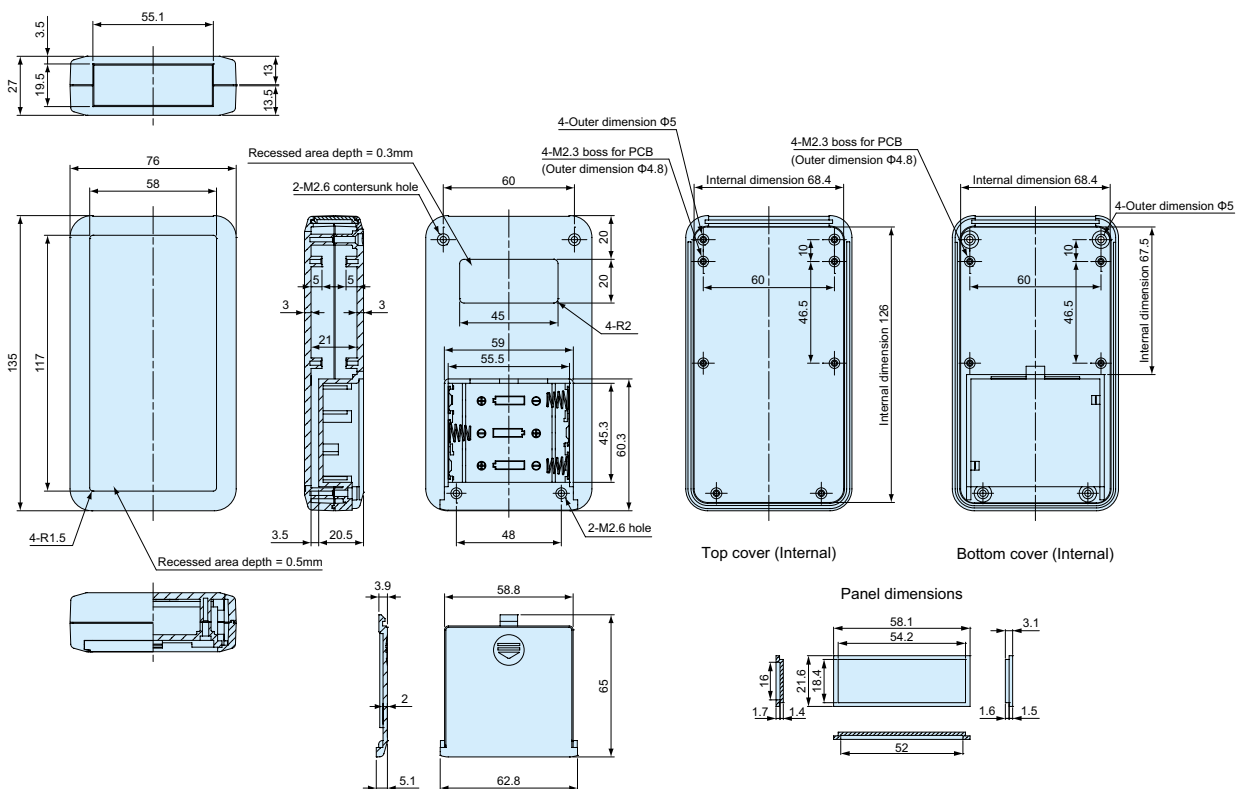
Electronics plastic housing

Series TKC

Drawing TKC 135 B2



Drawing TKC 135 B3

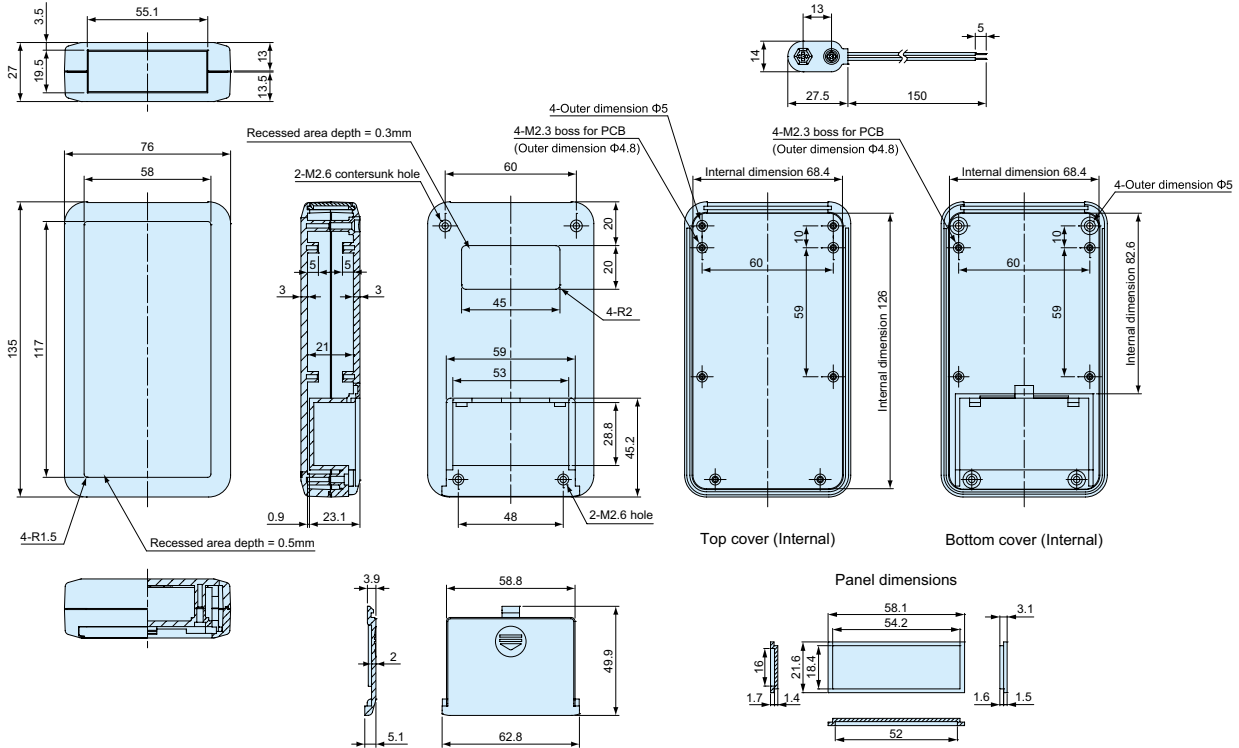


Data sheet for Plastic Housing

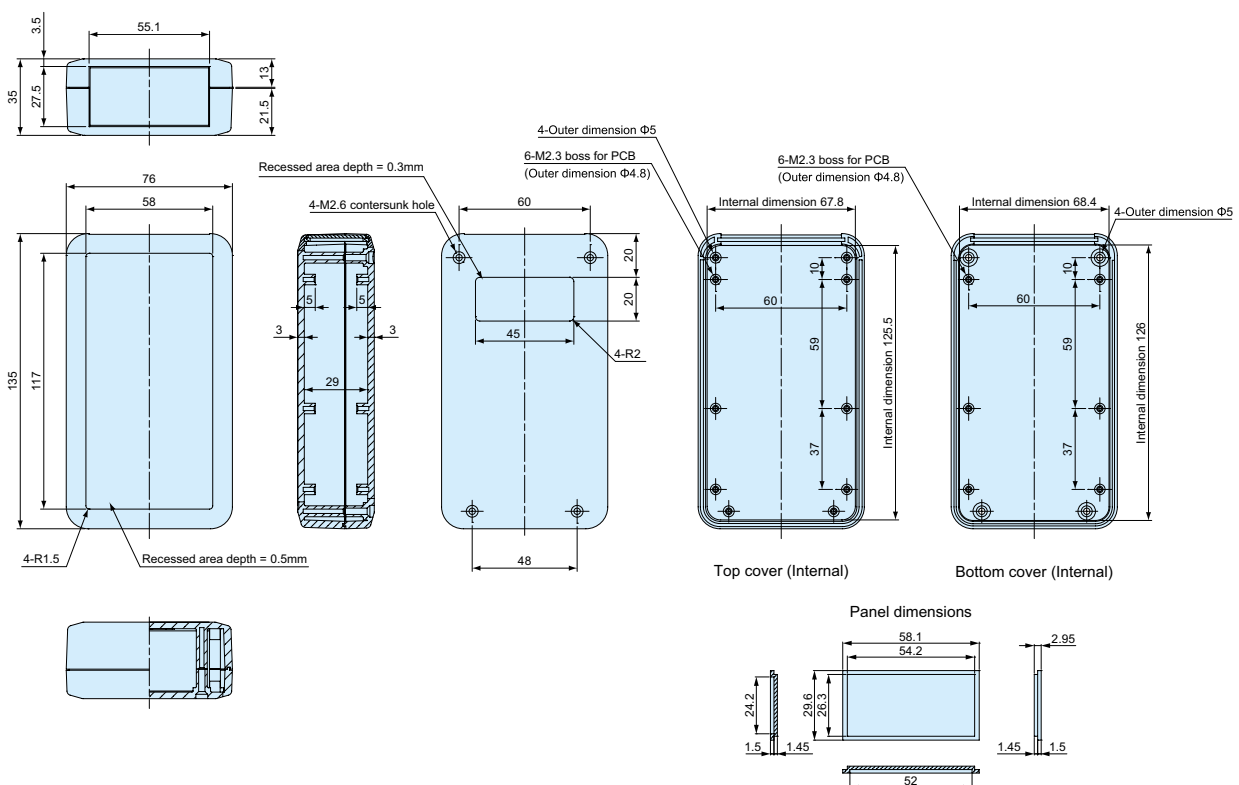
Electronics plastic housing

Series TKC

Drawing TKC 135 9V



Drawing TKCH 135 N

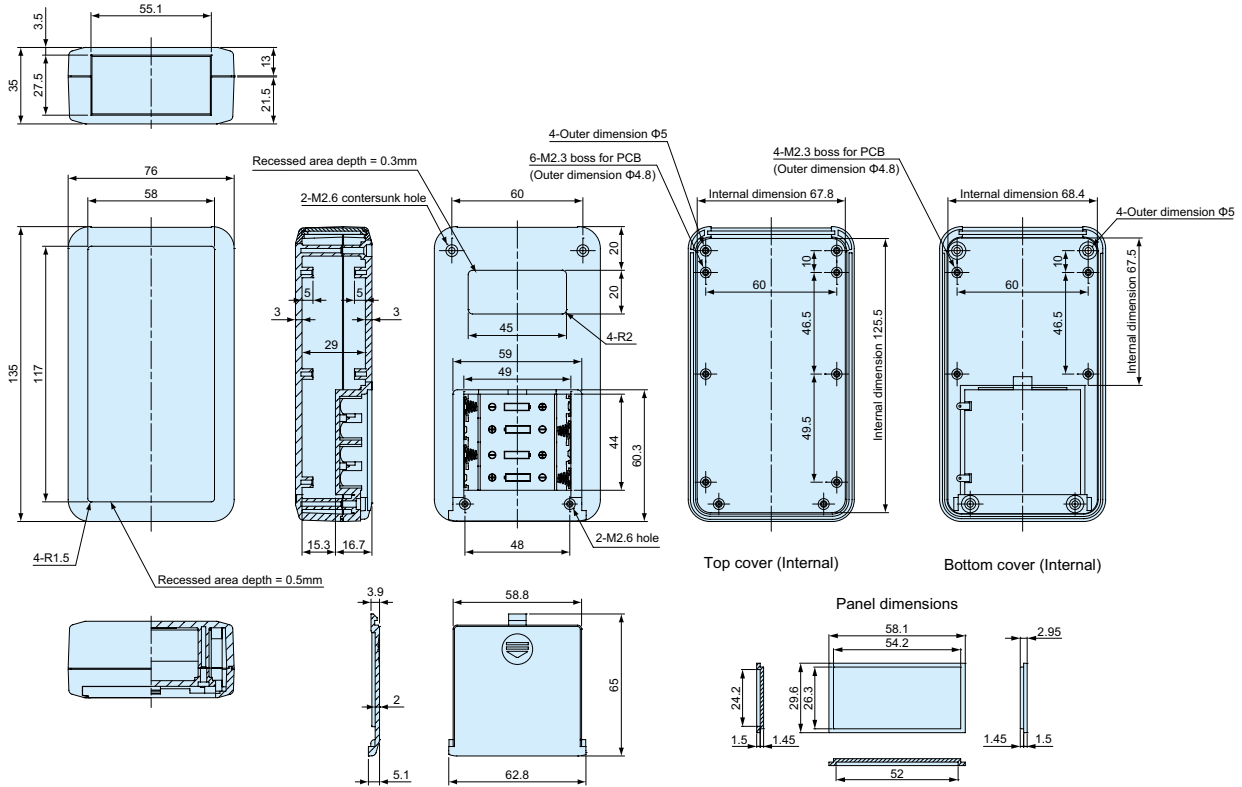


Data sheet for Plastic Housing

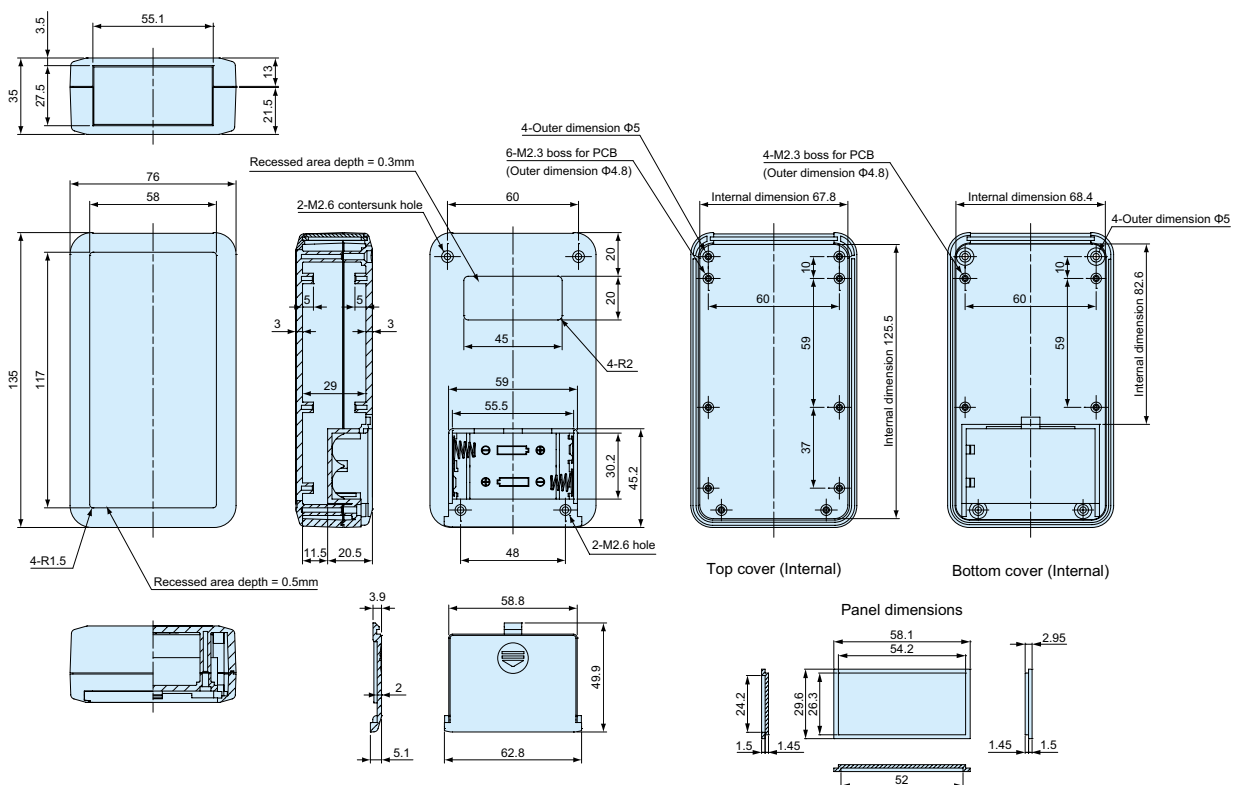
Electronics plastic housing

Series TKC

Drawing TKCH 135 A4



Drawing TKCH 135 B2

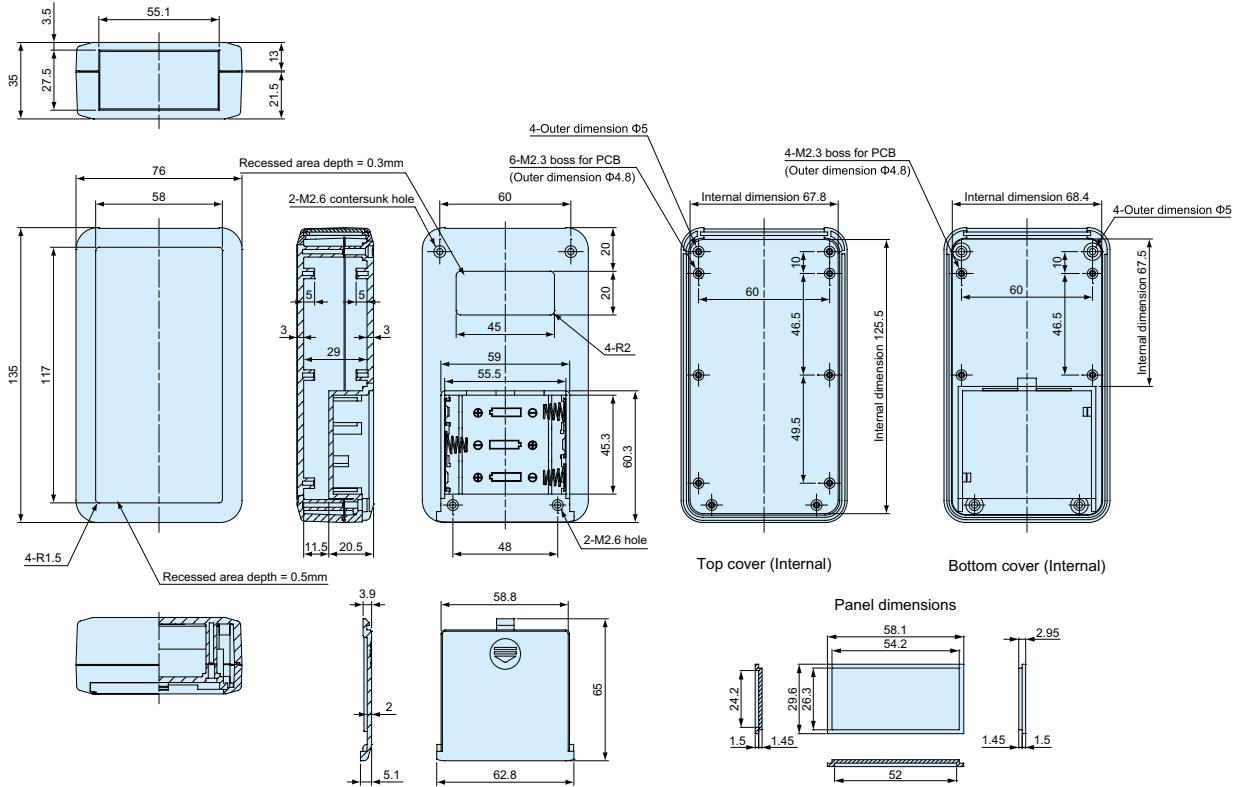


Data sheet for Plastic Housing

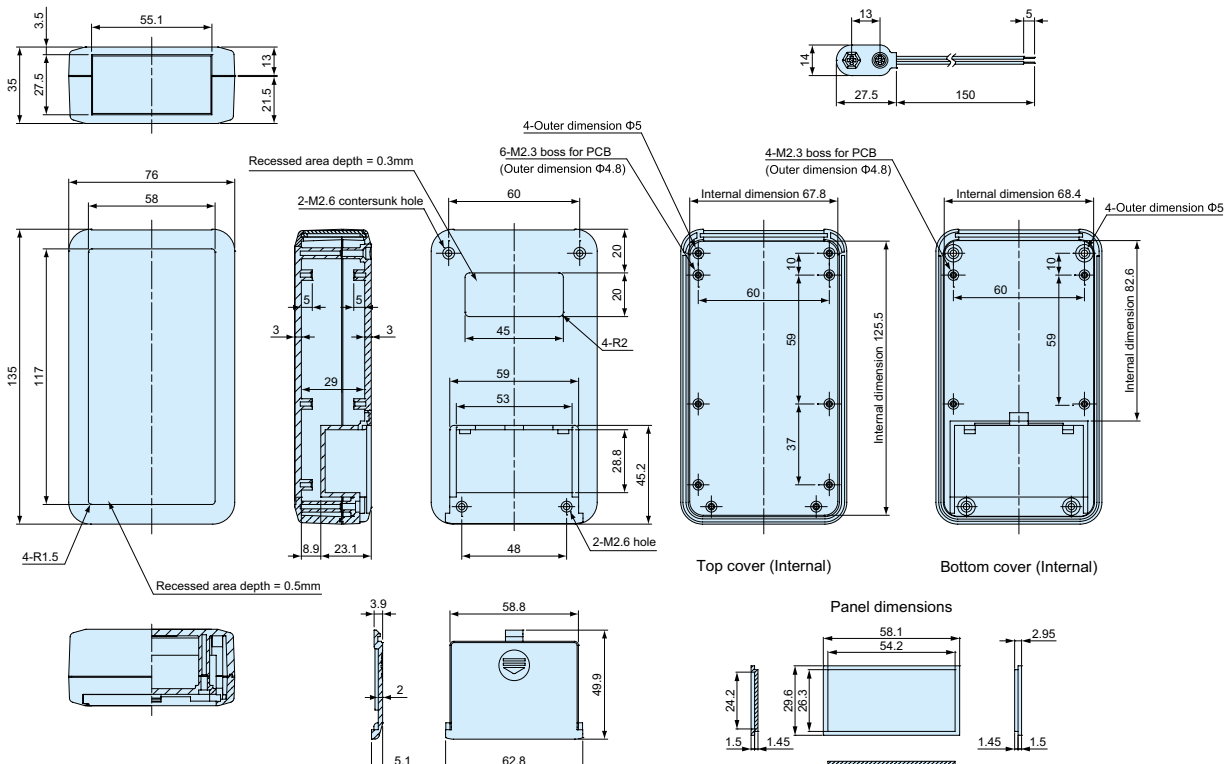
Electronics plastic housing

Series TKC

Drawing TKCH 135 B3



Drawing TKCH 135 9V

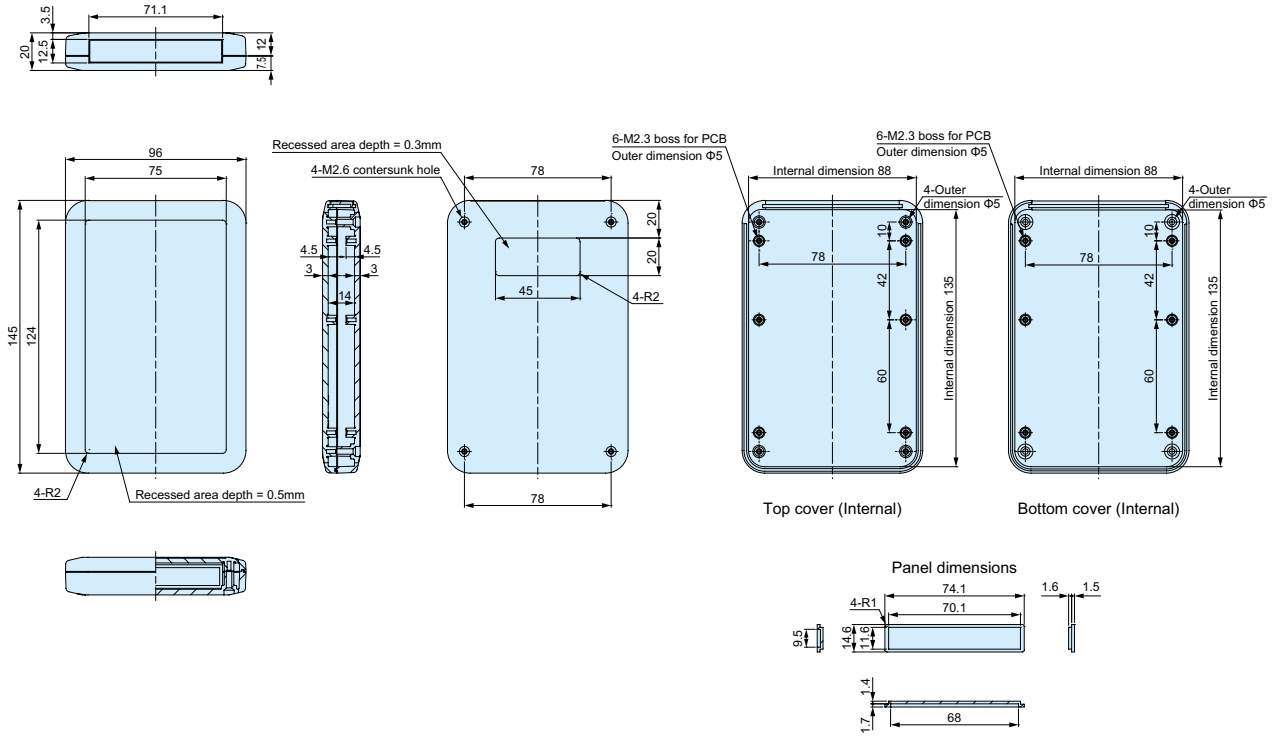


Data sheet for Plastic Housing

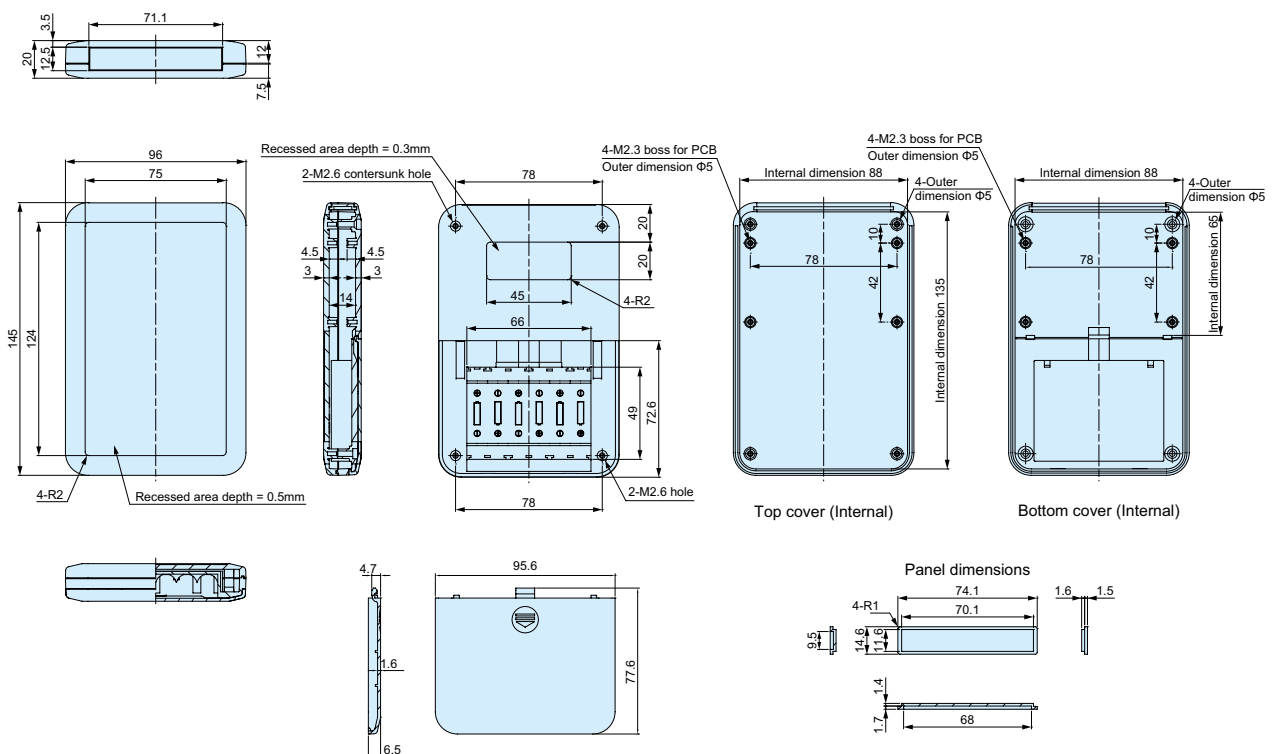
Electronics plastic housing

Series TKC

Drawing TKCS 145 N



Drawing TKCS 145 A6

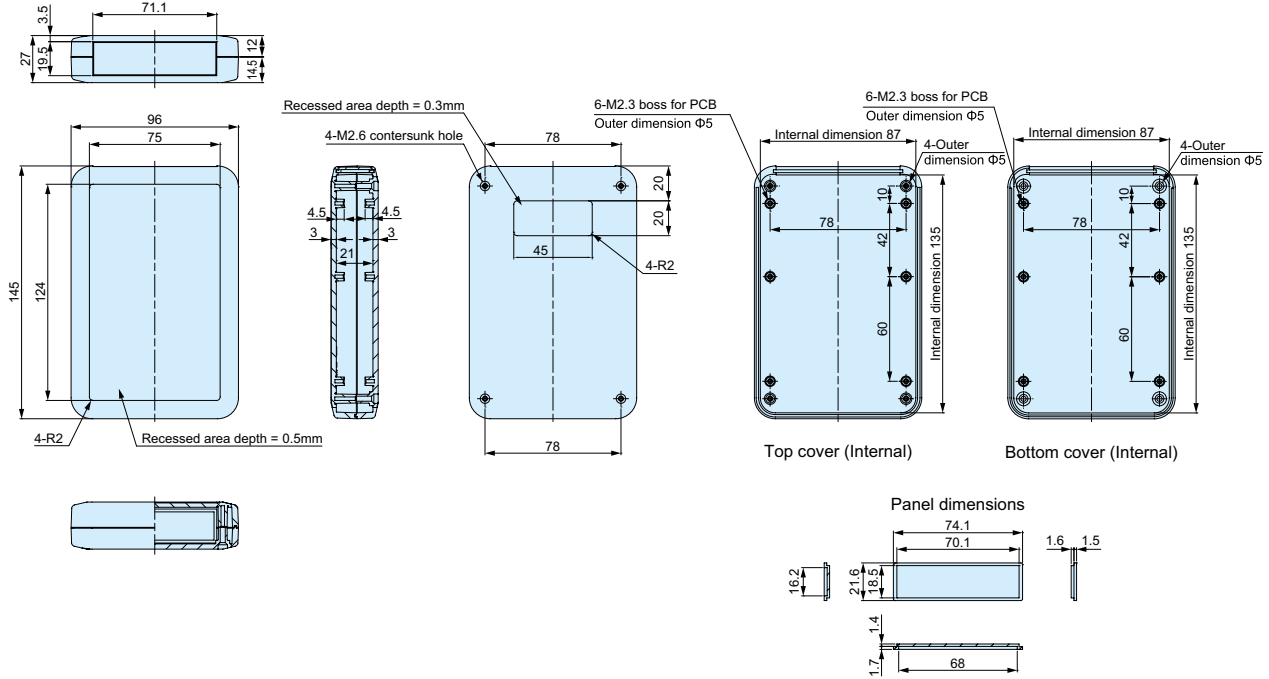


Data sheet for Plastic Housing

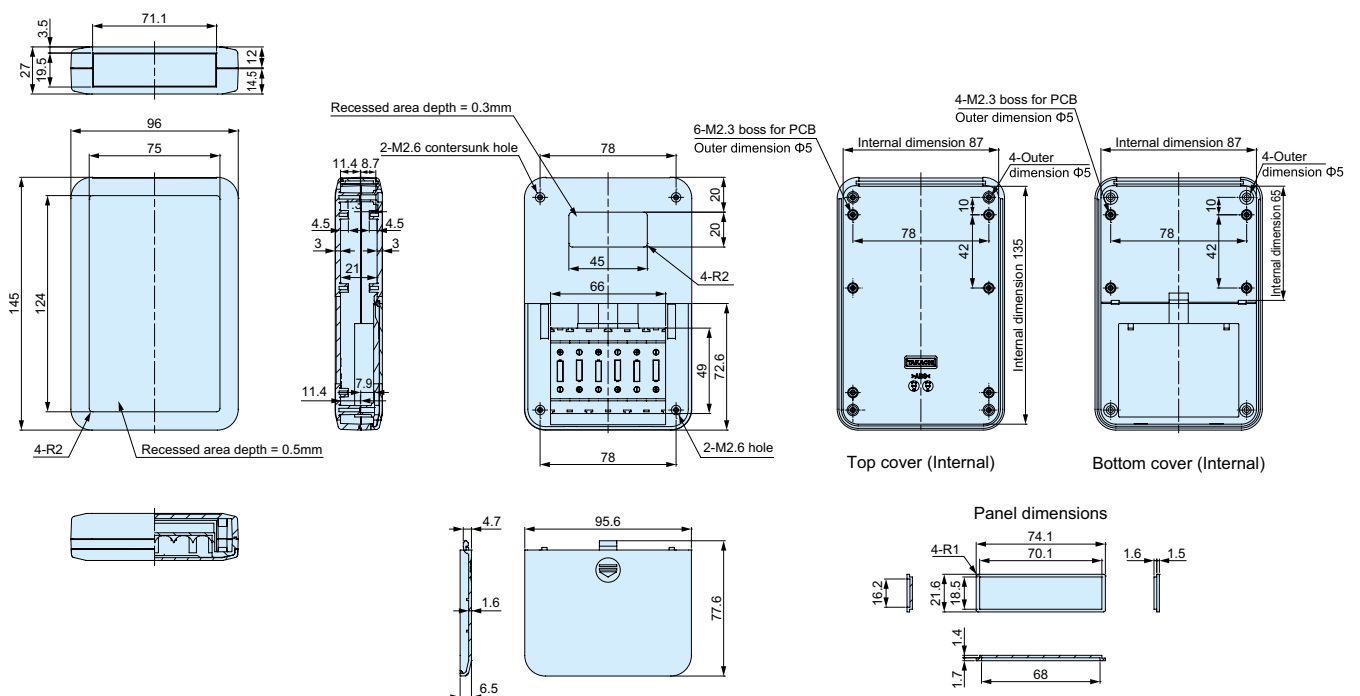
Electronics plastic housing

Series TKC

Drawing TKC 145 N



Drawing TKC 145 A6

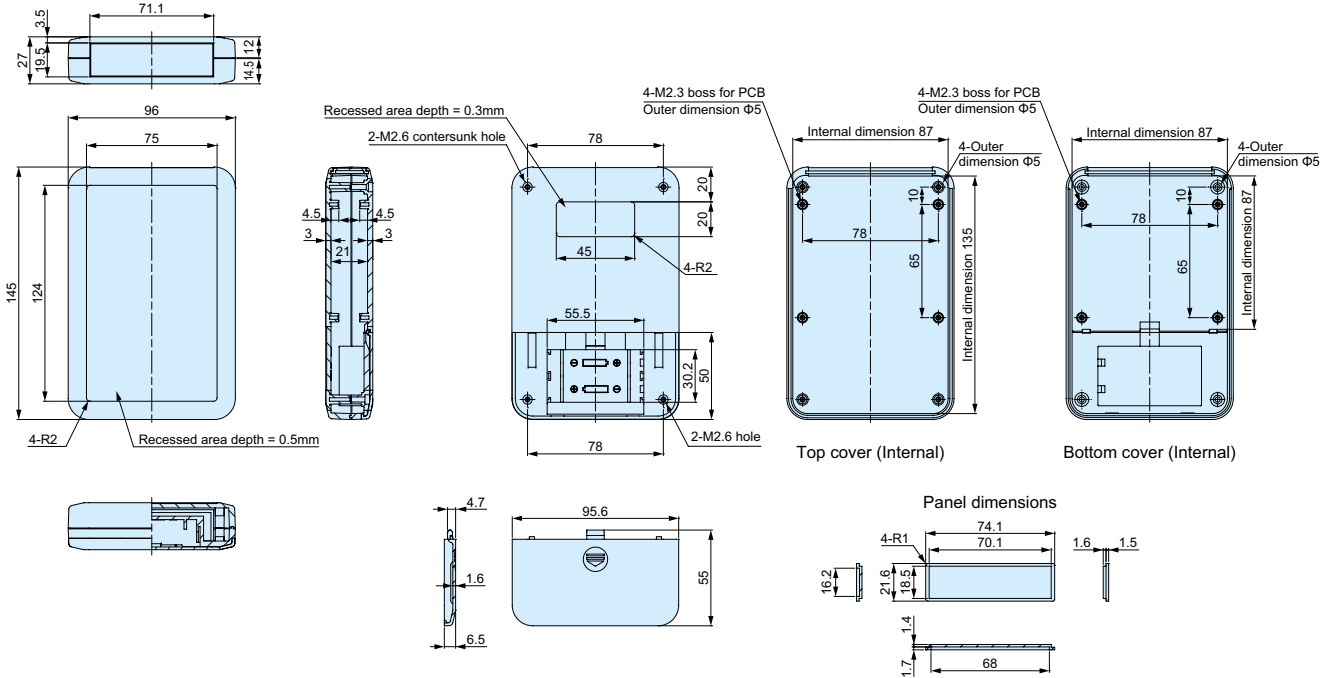


Data sheet for Plastic Housing

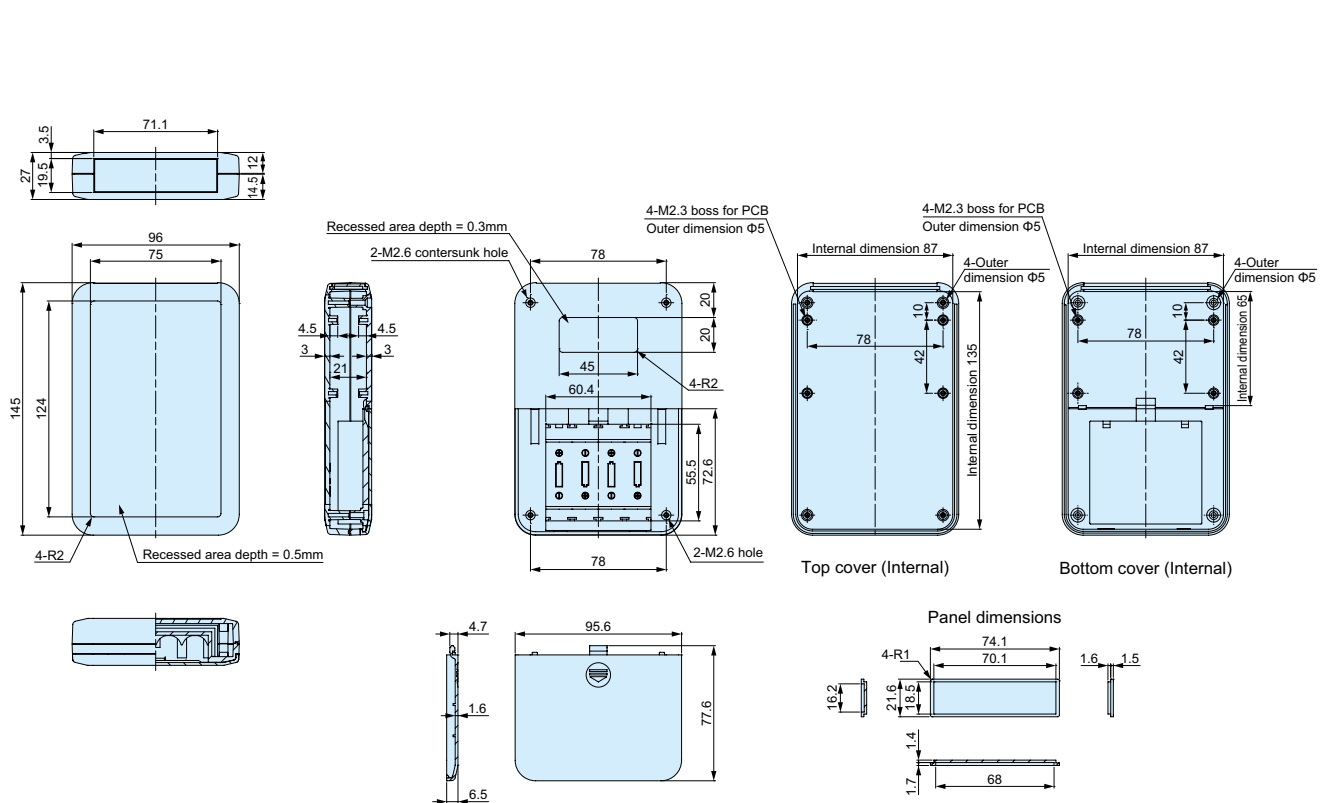
Electronics plastic housing

Series TKC

Drawing TKC 145 B2



Drawing TKC 145 B4

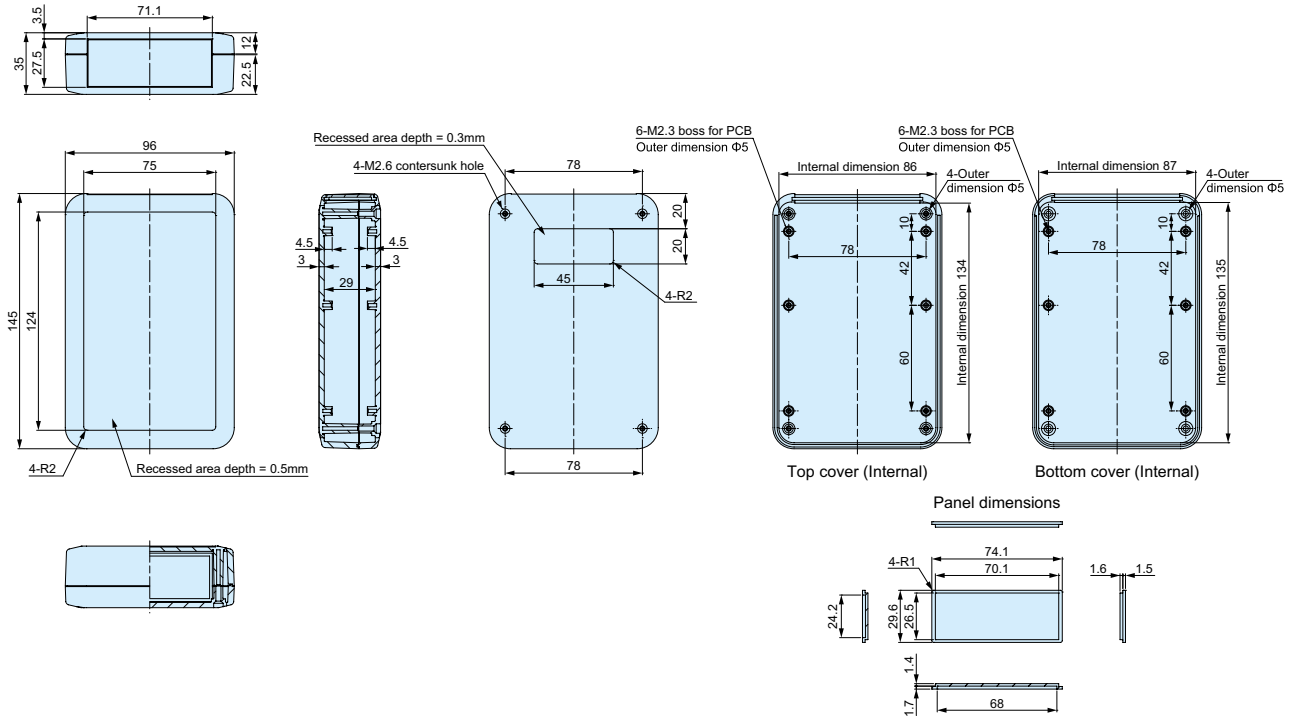


Data sheet for Plastic Housing

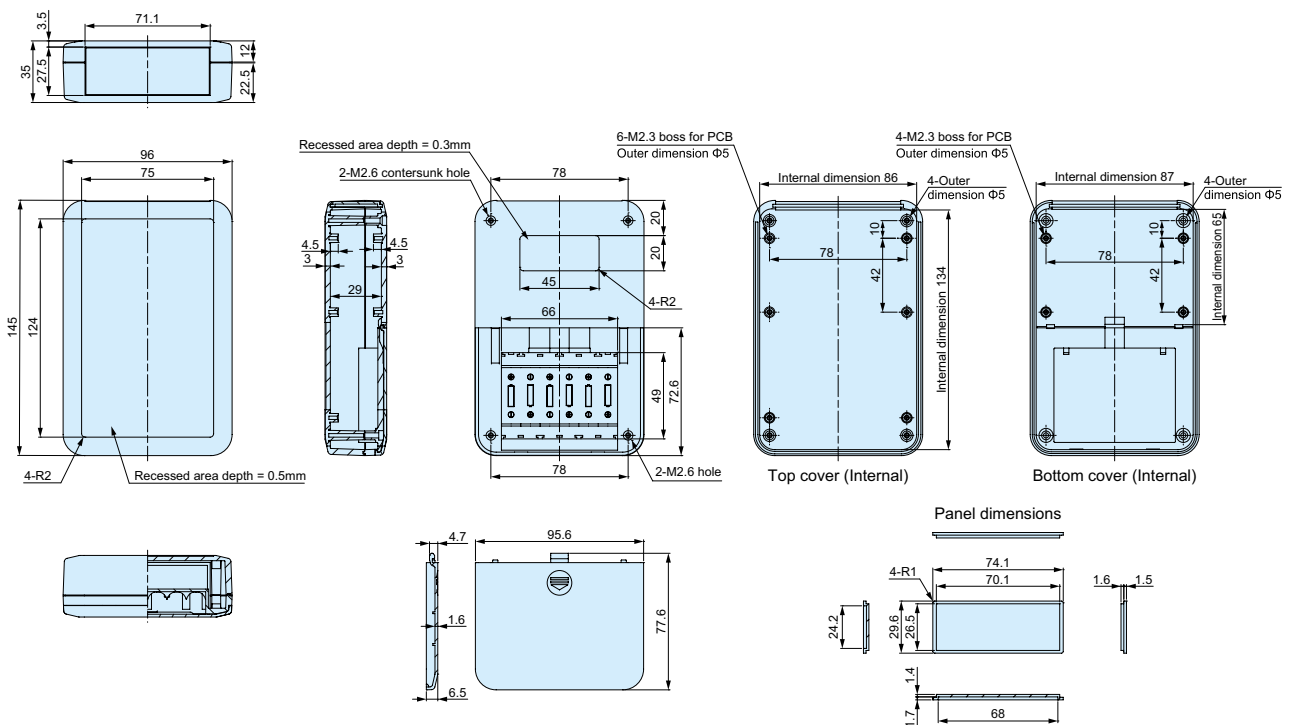
Electronics plastic housing

Series TKC

Drawing TKCH 145 N



Drawing TKCH 145 A6

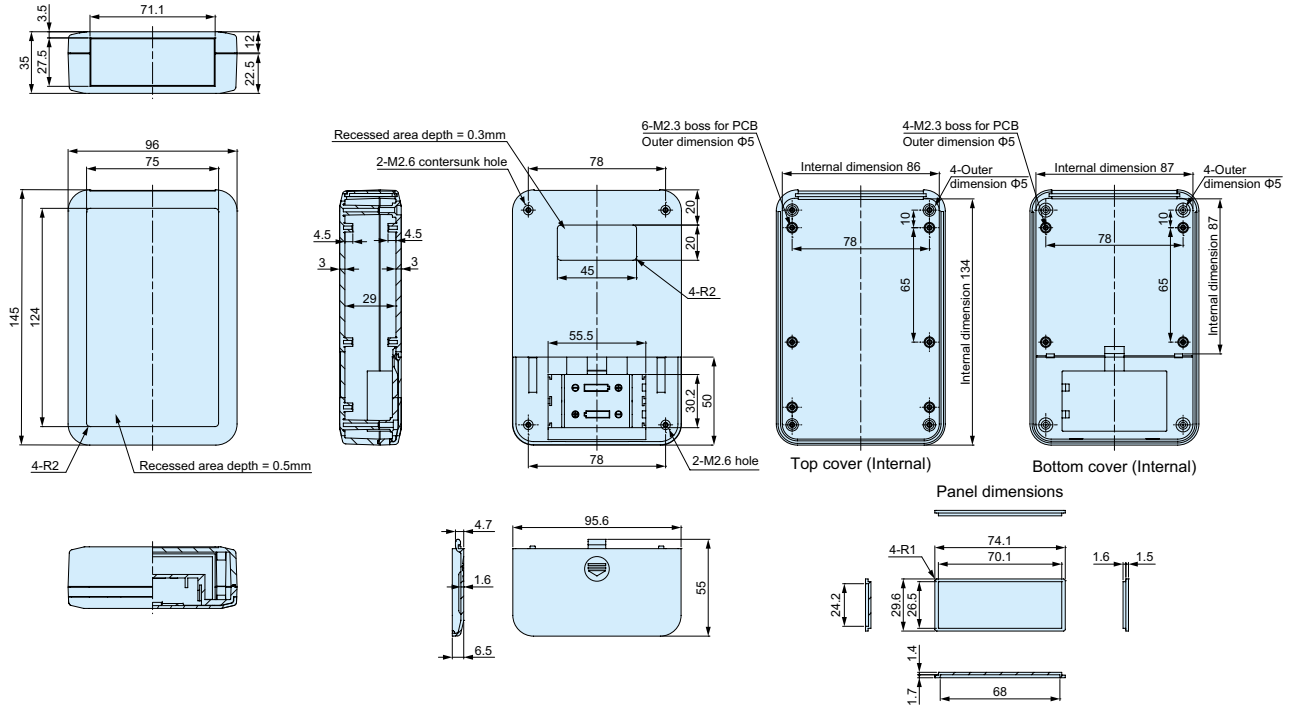


Data sheet for Plastic Housing

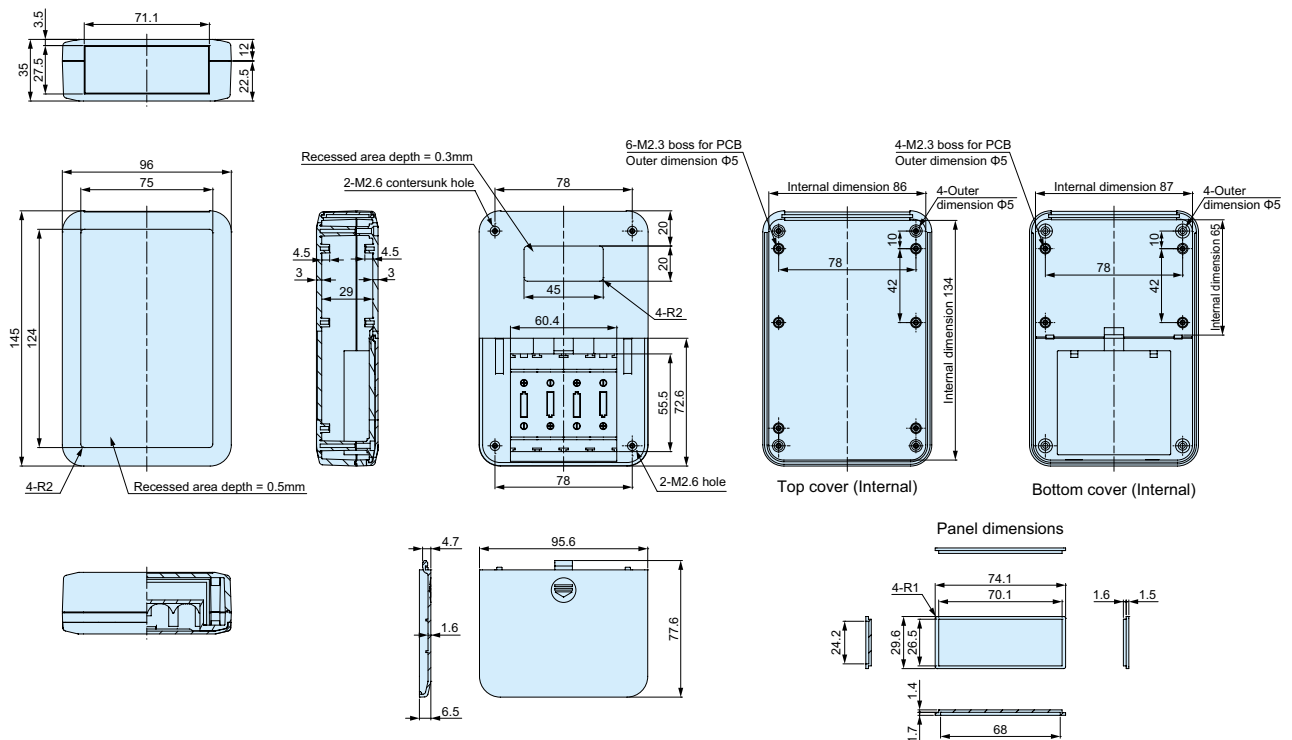
Electronics plastic housing

Series TKC

Drawing TKCH 145 B2



Drawing TKCH 145 B4

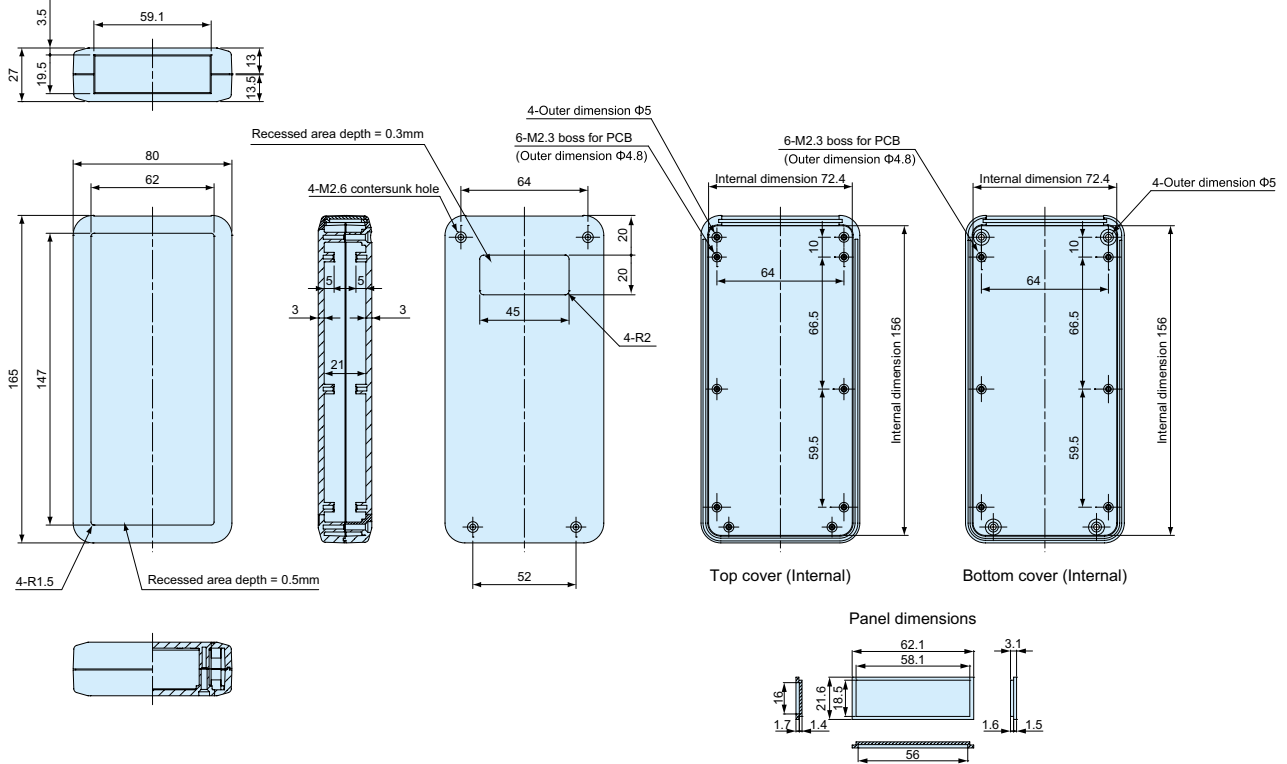


Data sheet for Plastic Housing

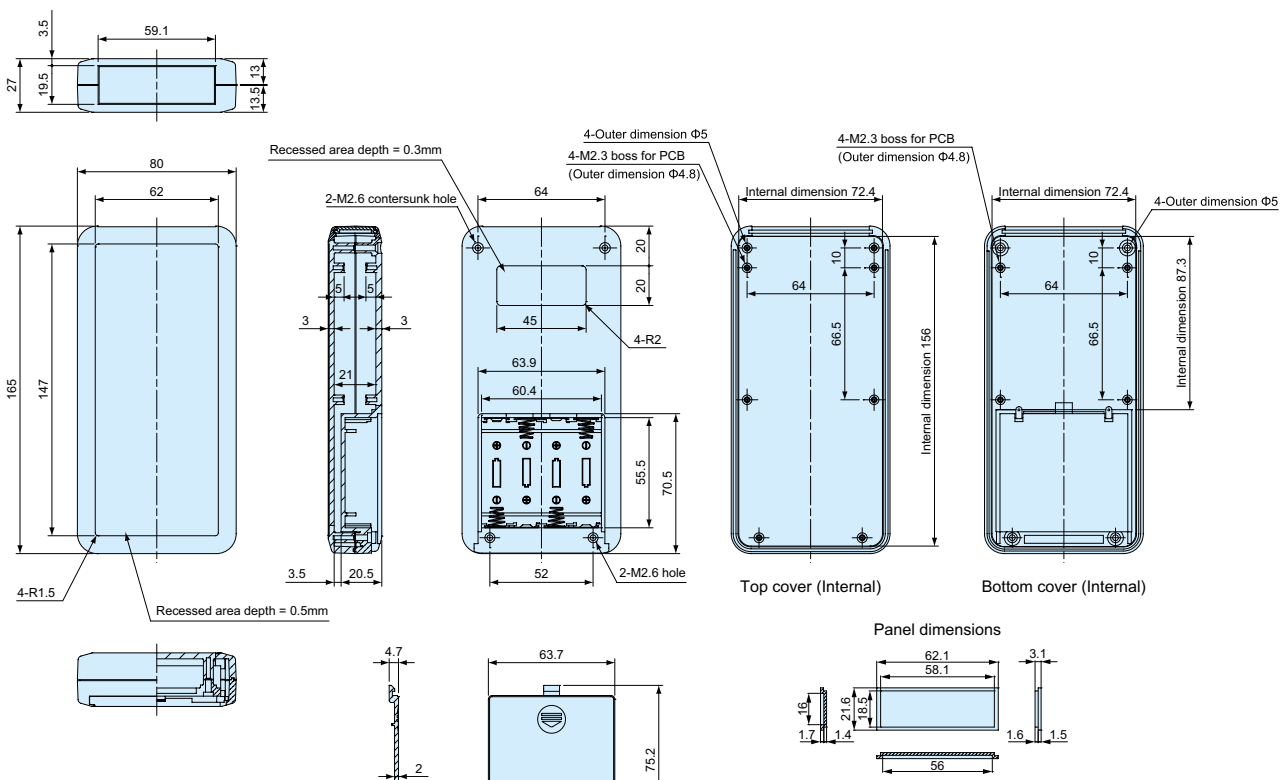
Electronics plastic housing

Series TKC

Drawing TKC 165 N



Drawing TKC 165 B4

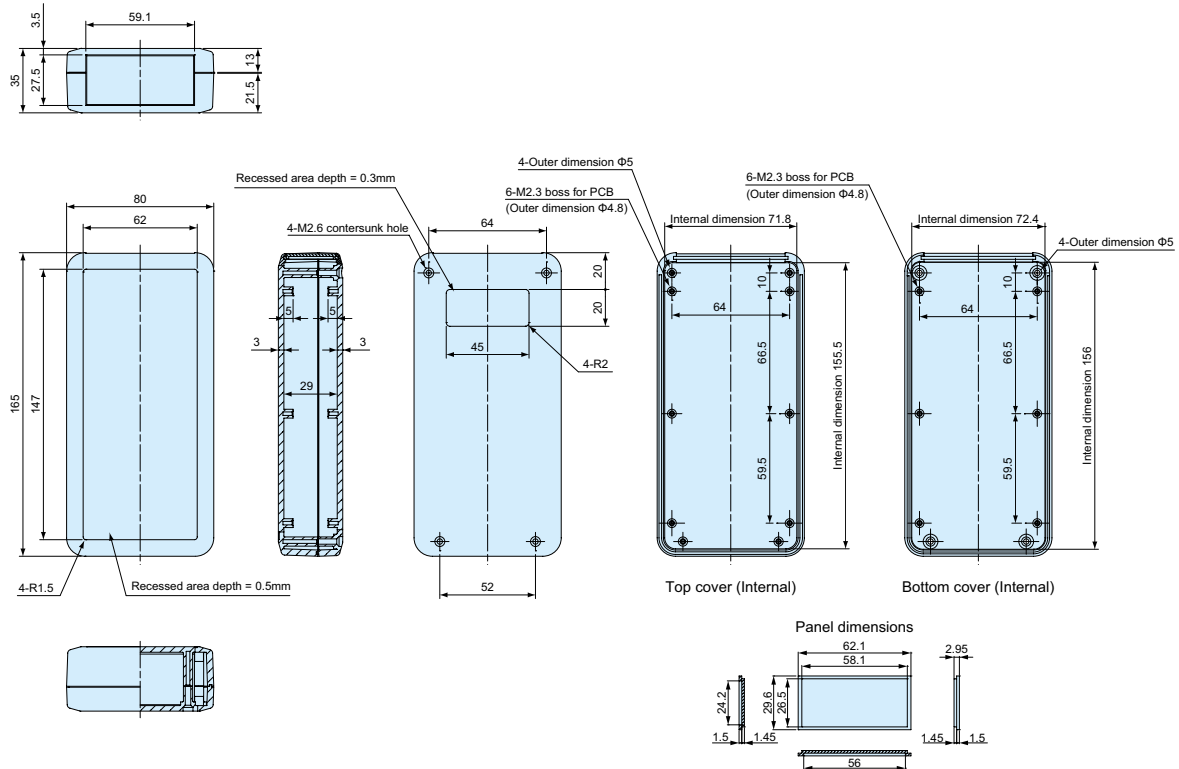


Data sheet for Plastic Housing

Electronics plastic housing

Series TKC

Drawing TKCH 165 N



Drawing TKCH 165 B4

