

Data sheet for Plastic Housing

Electronics plastic housing **Series GKI**



The plastic enclosures of the GKI series with protection class IP54 are suitable as stationary or mobile instrument housings. They are available in 12 housing sizes and in the colours light grey with impact resistant ABS and dark grey ABS UL94-V0. The included end plates are supplied inversely to the housing colour (housing dark grey - end plates light grey / housing light grey - end plates dark grey). There are guide slots for vertical mounting of printed circuit boards and threads for horizontal mounting inside the housing. The two housing parts are connected with 4 x M3 screws (included).

- Protection class IP54
- Made of ABS
- Numerous housing sizes

Data Housing	
Material	ABS
Colour	Light grey (impact resistant), dark grey (ABS UL94-V0)
Battery compartment	Without
Protection class	IP54
Mounting parts	Included in delivery screws 4 x M3

Housing Kind	External Dimensions W x H x L
GKI 1	50 x 16 x 90 mm
GKI 2	50 x 24 x 90 mm
GKI 3	50 x 32 x 90 mm
GKI 4	60 x 30 x 120 mm
GKI 5	60 x 40 x 120 mm
GKI 6	60 x 50 x 120 mm
GKI 7	80 x 30 x 150 mm
GKI 8	80 x 45 x 150 mm
GKI 9	80 x 60 x 150 mm
GKI 10	100 x 40 x 190 mm
GKI 11	100 x 60 x 190 mm
GKI 12	100 x 80 x 190 mm

Data sheet for Plastic Housing

Electronics plastic housing

Series GKI

Order Code

Description

Selection: standard=black/bold, possible options=grey/cursive

Series:

GKI

External housing dimensions W x H x L:

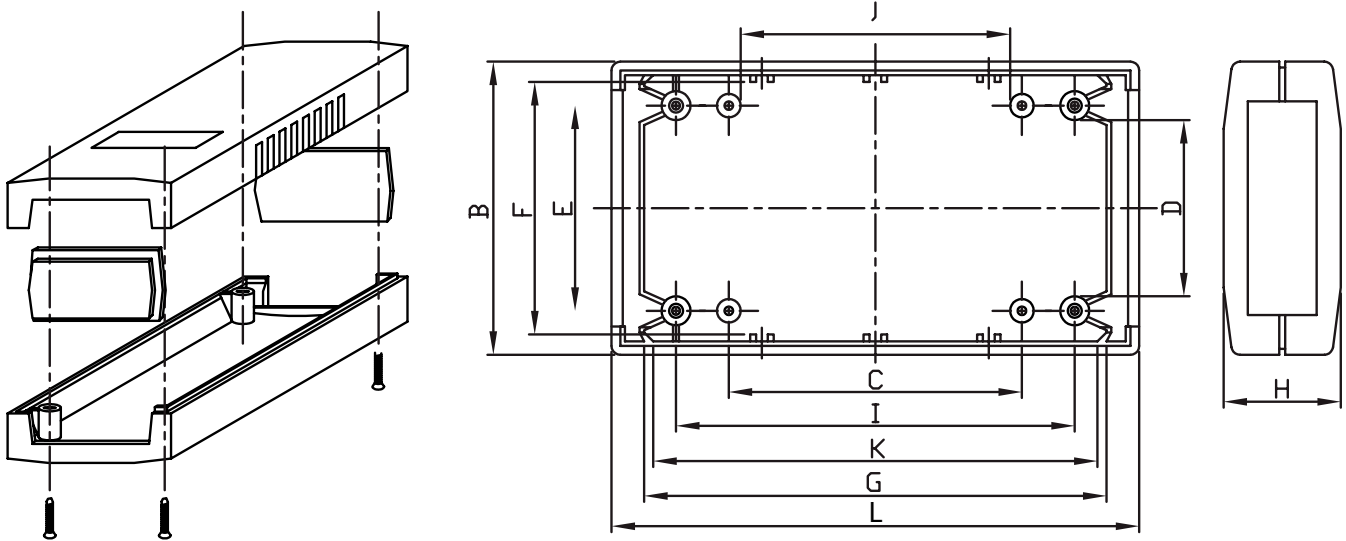
50 x 16 x 90 mm	1
50 x 24 x 90 mm	2
50 x 32 x 90 mm	3
60 x 30 x 120 mm	4
60 x 40 x 120 mm	5
60 x 50 x 120 mm	6
80 x 30 x 150 mm	7
80 x 45 x 150 mm	8
80 x 60 x 150 mm	9
100 x 40 x 190 mm	10
100 x 60 x 190 mm	11
100 x 80 x 190 mm	12

Colour:

Dark grey (with light grey end plates)
Light grey (with dark grey end plates)

D
G

Drawing GKI



	GKI1	GKI2	GKI3	GKI4	GKI5	GKI6	GKI7	GKI8	GKI9	GKI10	GKI11	GKI12
B	50	50	50	60	60	60	80	80	80	100	100	100
H	16	24	32	30	40	50	30	45	60	40	60	80
L	90	90	90	120	120	120	150	150	150	190	190	190
C	50	50	50	80	80	80	110	110	110	150	150	150
D	27.5	27.5	27.5	26	26	26	46	46	46	65	65	65
E	35	35	35	35	35	35	55	55	55	75	75	75
F	40.5	40.5	40.5	44	44	44	64	64	64	83	83	83
G	83	83	83	111	111	111	138	138	138	180	180	180
I	68	68	68	98	98	98	128	128	128	168	168	168
J	42.5	42.5	42.5	72	72	72	100	100	100	140	140	140
K	79.4	79.4	79.4	108	108	108	138	138	138	176	176	176