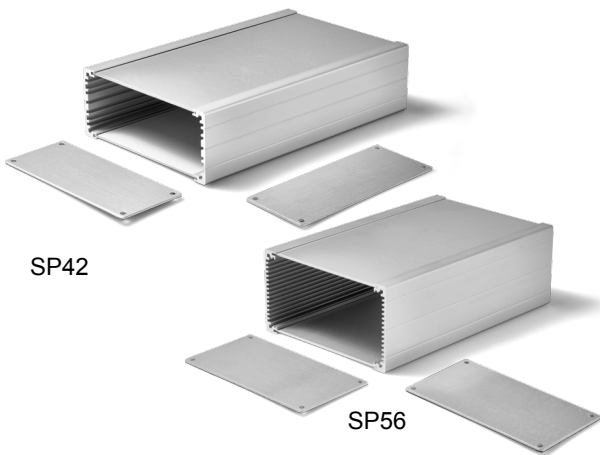


Data Sheet for Aluminium Housing

Electronics aluminium housing

Series EUKAP SP



Small profile housing designed to accept printed circuit boards in EUROPA card format.

We offer two standard kit housings in profile length 165 mm x 103 width and profile heights 42 mm (SP 42) and 56 mm (SP56), including bottom plates, end plates and screws. The aluminium housings are available in anodised aluminium (optional black anodised).

For individual housing designs we offer the side profiles with standard length 1000 mm. Customer specific lengths up to max. 3000 mm are possible.

Data Standard Housing	SP42	SP56
External dimensions length	165 mm (+3 mm end plates)	
External dimensions width	103 mm	
External dimensions height	42 mm	56 mm
Groove x 2 und thickness	2 x 2,5 mm 5 x 1,6 mm	15 x 1,8 mm

Data cover plates	
Length	165 mm
Width	89 mm
Material	Aluminium
Colour	Aluminium nature anodised (optional black anodised)
Material thickness	1,5 mm

Data End Plates	
Material	Aluminium
Colour	Aluminium nature anodised (optional black anodised)
Material thickness	1,5 mm
Feed for screws	8 pieces 2.9 x 9.5 included in delivery

Data Side Profile	SP42	SP56
External dimensions height	10 mm	
External dimensions width	42 mm	56 mm
Internal dimension width	34 mm	48 mm
Thickness of cover	max. 1,6 mm	
Material	ALMgSi 0,5 F22	
Colour	Aluminium nature anodised (optional black anodised)	
Mass ca.	0,41 kg/m	0,56 kg/m

Data Sheet for Aluminium Housing

Electronics aluminium housing

Series EUKAP SP

Order Code Standard-Profile-Housing-Kit: Profile + cover plates + end plates + screws

Description	Selection: standard=black/bold, possible options=grey/cursive				
Series:	EUKAP SP GEHÄUSE				
Housing height: 42 mm 56 mm		42 56			
Housing length: 165 mm <i>Option custom length <3000 mm</i>			165 XXXX		
Housing colour: Aluminium nature anodised <i>Option Aluminium black anodised</i>				A N	

Order Code Side Profile

Description	Selection: standard=black/bold, possible options=grey/cursive				
Series:	EUKAP SP PROFIL				
Profile height: 42 mm 56 mm		42 56			
Profile length: 1000 <i>Option custom length <3000 mm</i>			1000 XXXX		
Profile colour: Aluminium nature anodised <i>Option Aluminium black anodised</i>				A N	

For higher quantities or on-going demand, additional options are available as described below on request

For Example: Processing of the housings such as drilling, punching, milling etc. as well as printing. Customized processing of end plates and much more.

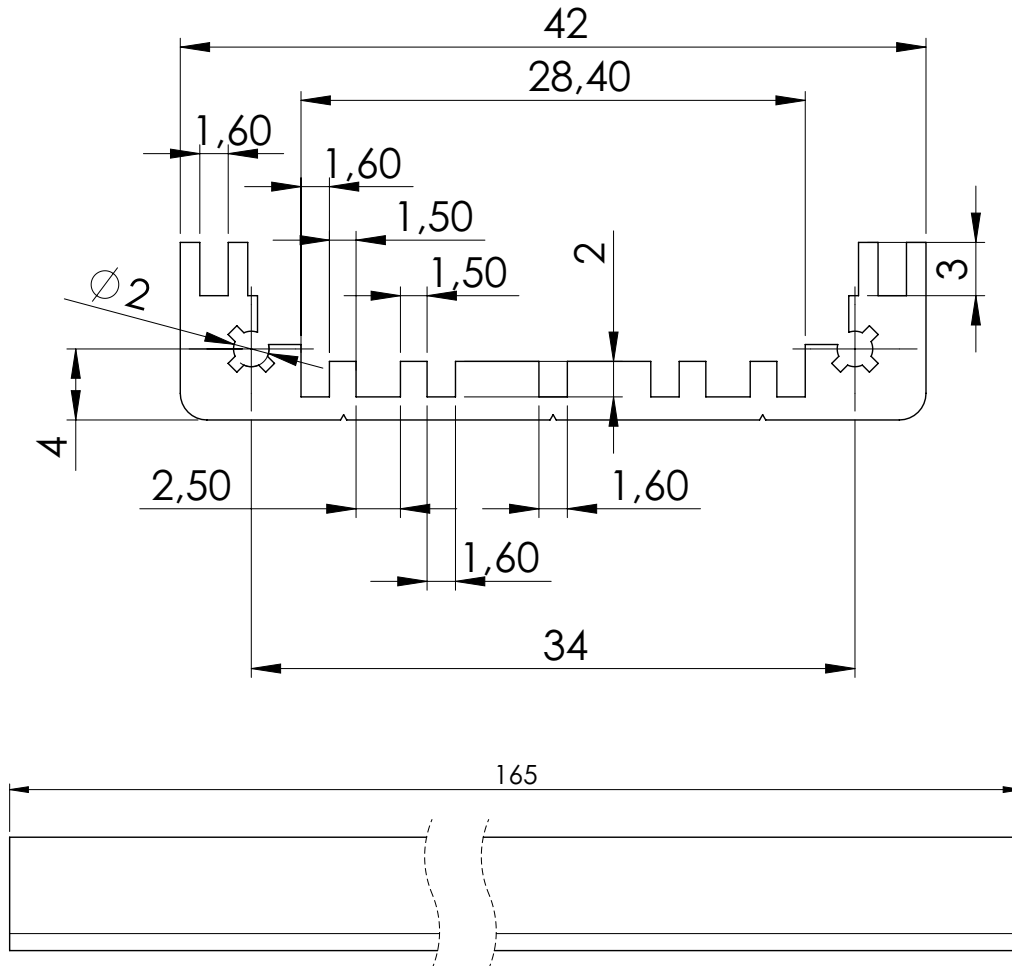
Data Sheet for Aluminium Housing

Electronics aluminium housing

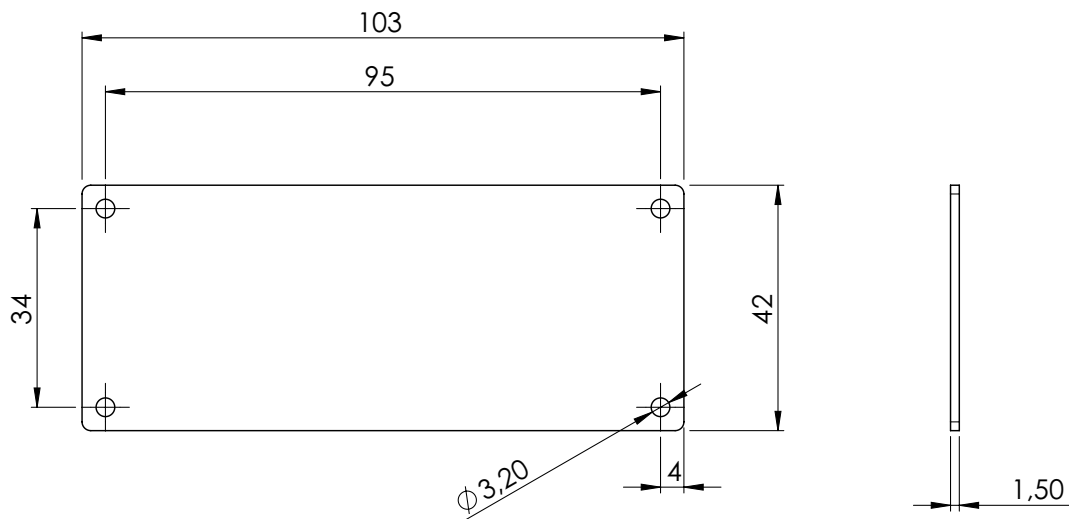
Series EUKAP SP

Drawing

Profile SP42



End plates SP42



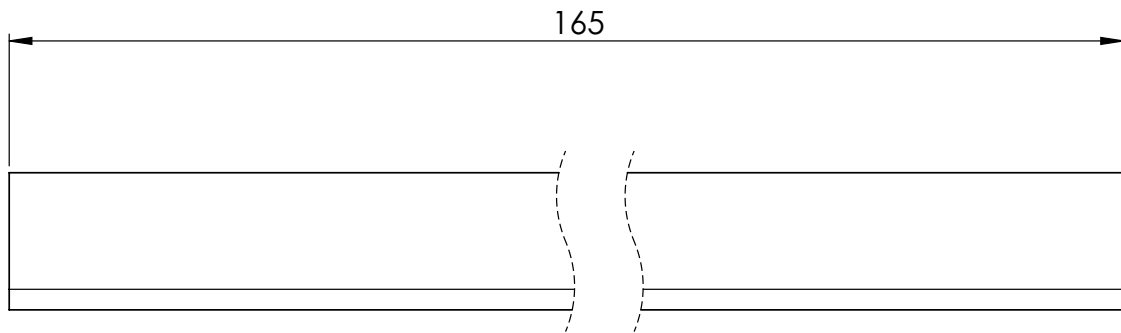
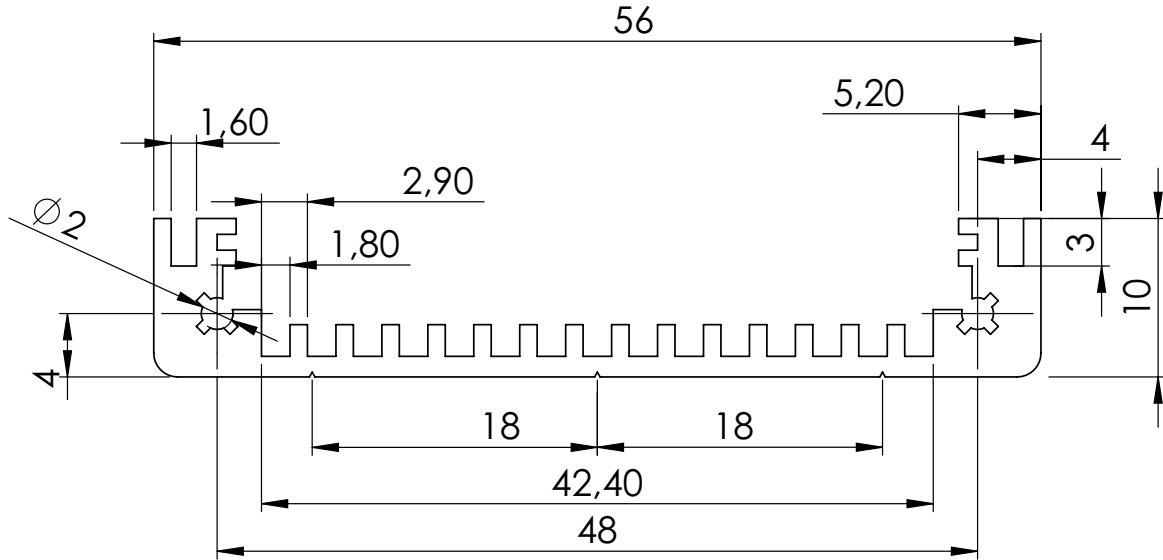
Data Sheet for Aluminium Housing

Electronics aluminium housing

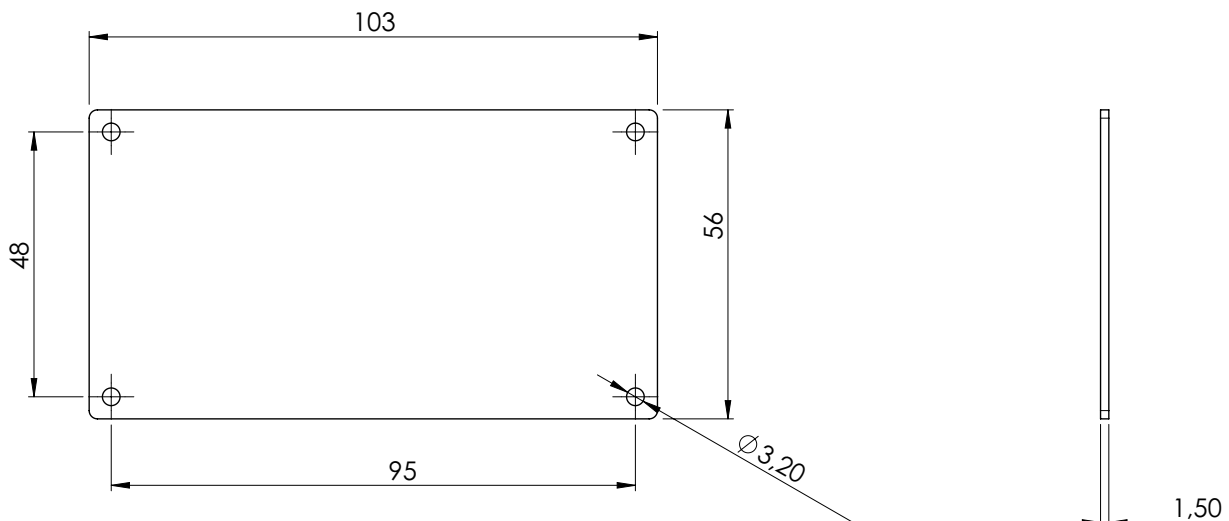
Series EUKAP SP

Drawing

Profile SP56



End plates SP56



Data Sheet for Aluminium Housing

Electronics aluminium housing

Series EUKAP SP

Drawing

Cover plates

