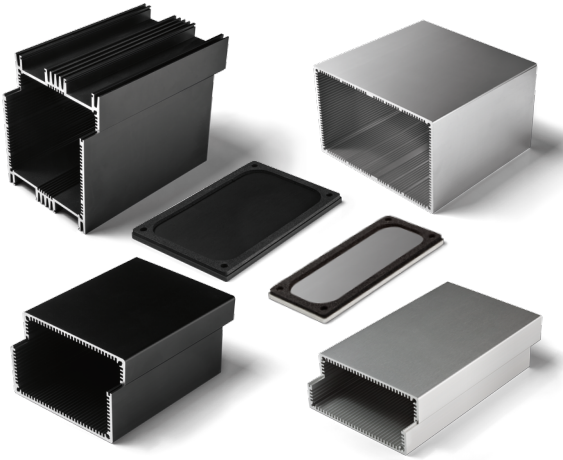


Data Sheet for Aluminium Housing

Electronics aluminium housing for euroboards



The series EUKAP K for euroboards is available in seven housing heights of 40, 60, 80, 100, 120, 140, 160 mm with a width of 100 mm. The individual profiles can be combined with each other, so that a great diversity of variants is created (2 profiles with external cooling ribs). The housings are available in black anodised aluminium or anodised aluminium. The protection class IP65 can be achieved with end plates and sealing elements.

Data Profile	KK	KK-34,5	P1	P1-43,5	P1-63,5	P2	203G
Internal dimensions hight	81 mm	21 mm	81 mm	41 mm	61 mm	21 mm	160 mm
Internal dim. PCB width	100 mm						
Groove x 2 vertical	21	4	20	10	15	4	29
Groove horizontal	7	7	29	29	29	29	42
Groove thickness	1,7 mm	1,65 mm	1,7 mm	1,7 mm	1,7 mm	1,7 mm	1,7 mm
External dim. hight	94,5 mm	34,5 mm	83,5 mm	43,5 mm	63,5 mm	23,5 mm	165 mm
External dim. width	105 mm						
Cooling fins external	yes	yes	no	no	no	no	no
Material	Aluminium EN AW-6060 T66						
Material thickness	1,6 mm						
Colour	Aluminium black or nature anodised						
Mass ca.	3,35 kg/m	2,13 kg/m	2,67 kg/m	1,83 kg/m	2,26 kg/m	1,42 kg/m	5,3 kg/m

Data End Plates	165	145	125	105	85	65	45
End plates hight	165 mm	145 mm	125 mm	105 mm	85 mm	65 mm	45 mm
End plates width	105 mm	105 mm	105 mm	105 mm	105 mm	105 mm	105 mm
Mass ca.	130 g	115 g	100 g	85 g	70 g	50 g	35 g
Material	Aluminium AlMg1						
Material thickness	3 mm						
Colour	Aluminium black or nature anodised						
Sealing	Cellular rubber ZG/GD 2,5 mm one-sided SKVL-M, shore ca. 50 black						
Mass sealing ca.	15 g	13 g	11 g	9 g	7 g	6 g	4 g
Feed for screws	2 x 4 screws M4 x 12 included in delivery						
Protection class with sealing	IP65						

Data Sheet for Aluminium Housing

Electronics aluminium housing for euroboards

Series EUKAP K

Order Code

Description	Selection: standard=black/bold, possible options=grey/cursive				
Series:	EUKAP K				
<i>Combinations with a height of 160 mm internal dim.:</i>					
KK + KK		201			165
KK + P1		202			165
P1 + P1		203			165
203G (Hohlprofil)		203G			165
<i>Combinations with a height of 140 mm internal dim.:</i>					
KK + P1-63,5		212			145
P1 + P1-63,5		213			145
<i>Combinations with a height of 120 mm internal dim.:</i>					
KK + P1-43,5		214			125
P1 + P1-43,5		215			125
P1-63,5 + P1-63,5		222			125
<i>Combinations with a height of 100 mm internal dim.:</i>					
KK + P2		204			105
P1 + P2		205			105
KK + KK-34,5		209			105
P1-63,5 + P1-43,5		223			105
<i>Combinations with a height of 80 mm internal dim.:</i>					
P2 + P1-63,5		216			85
KK-34,5 + P1-63,5		220			85
P1-43,5 + P1-43,5		224			85
<i>Combinations with a height of 60 mm internal dim.:</i>					
P2 + P1-43,5		217			65
KK-34,5 + P1-43,5		221			65
<i>Combinations with a height of 40 mm internal dim.:</i>					
P2 + P2		206			45
P2 + KK-34,5		211			45
KK-34,5 + KK-34,5		225			45
Profile length:					
120 mm			120		
160 mm			160		
200 mm			200		
<i>Option custom length ≤3000 mm</i>			<i>xxxx</i>		
Profile colour:					
Aluminium black anodised				SW	
Aluminium nature				BL	
End plates fits for combination - colour depends on profile colour					see above
End plates seal:					
Standard cellular rubber (shore ca. 50)					-
<i>Option foam rubber seal cord grey</i>					<i>DS</i>

For higher quantities or on-going demand, additional options are available as described below on request

For Example: Processing of the housings such as drilling, punching, milling etc. as well as printing, customer-specific colours according to customer requirements. Customized processing of end plates, other thicknesses and materials. Chromate the bare housing and plates and more.

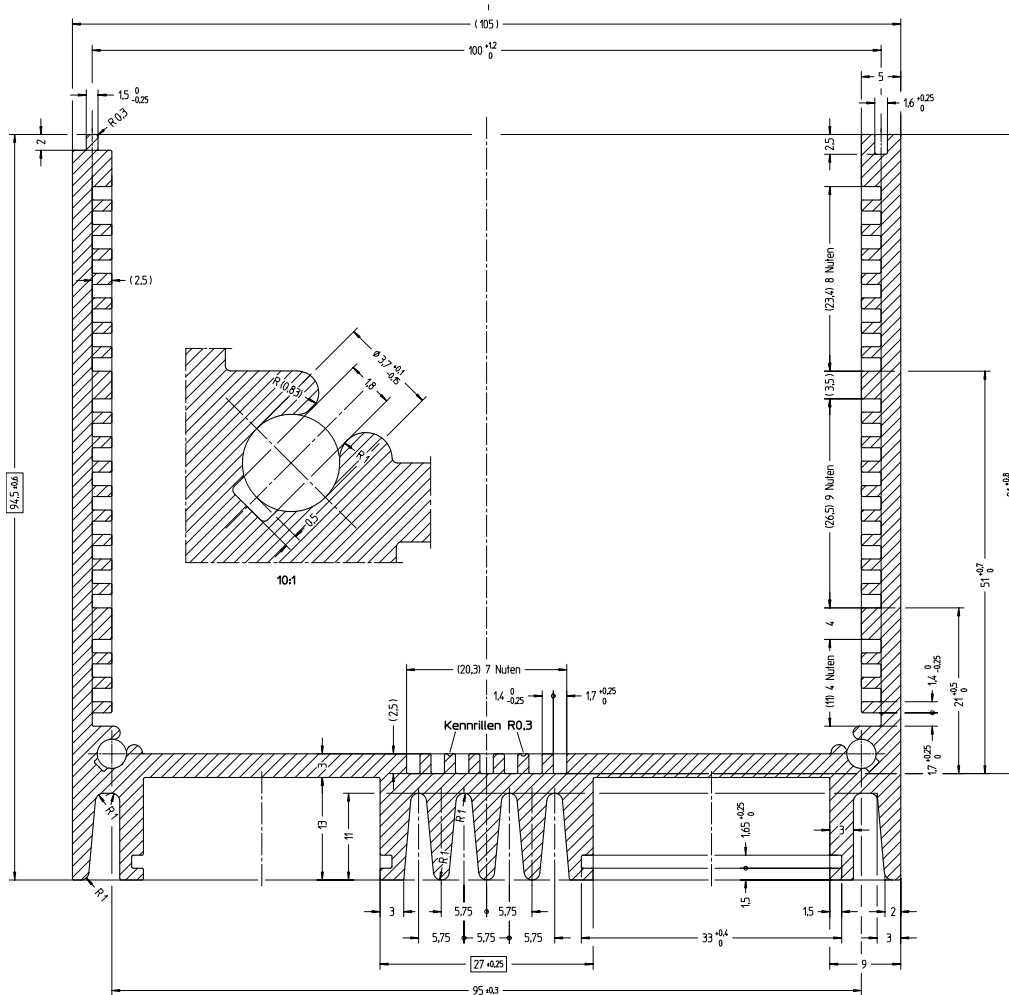
Data Sheet for Aluminium Housing

Electronics aluminium housing for euroboards

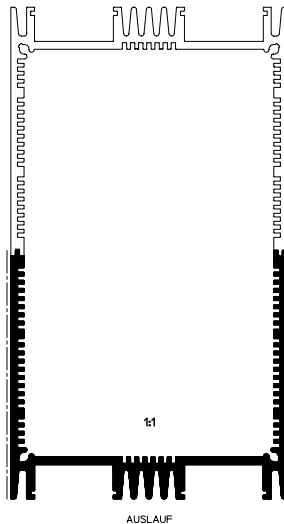
Series EUKAP K

Drawing

Profile KK



muss mit sich selbst passen



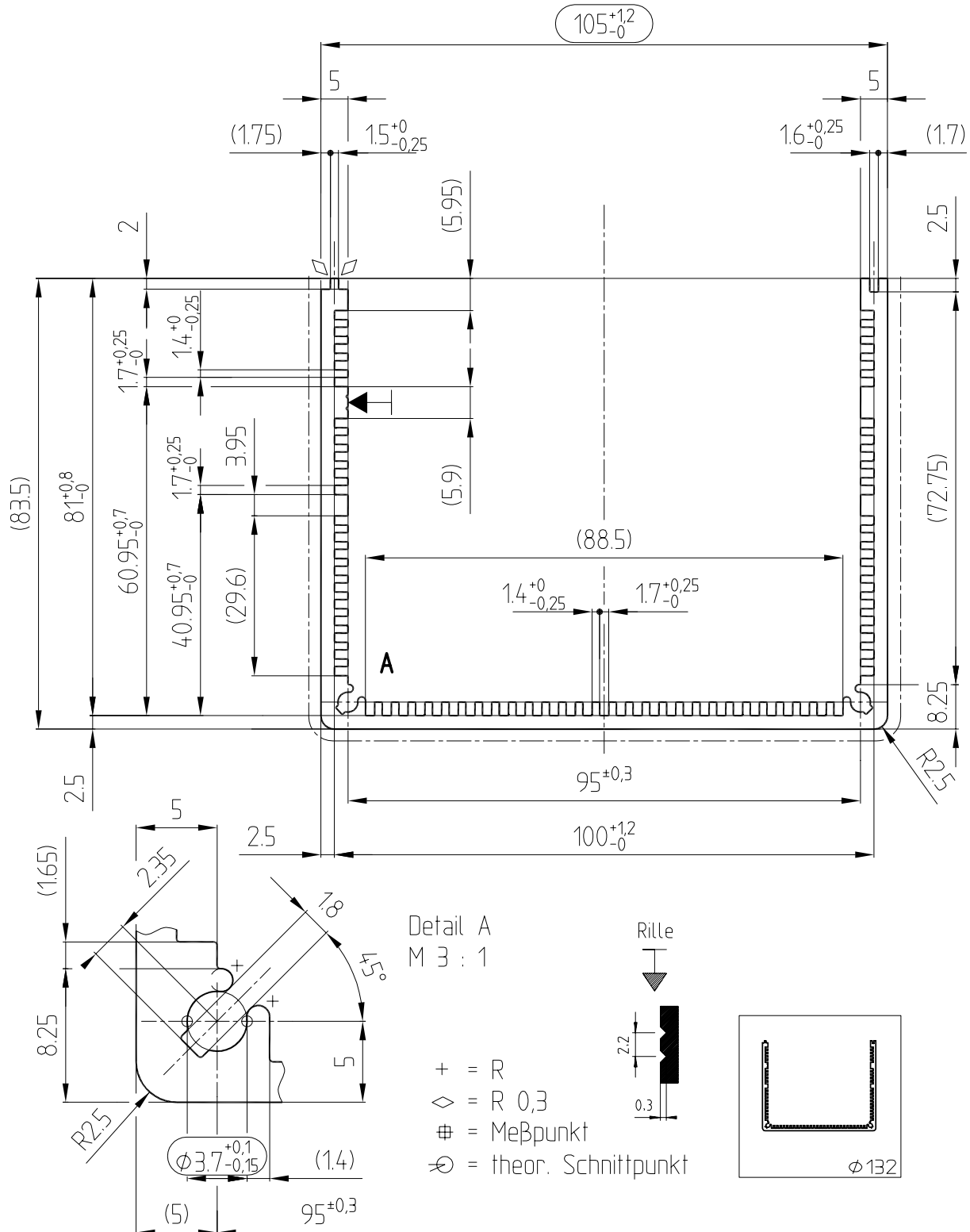
Data Sheet for Aluminium Housing

Electronics aluminium housing for euroboards

Series EUKAP K

Drawing

Profile P1



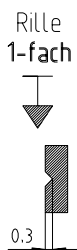
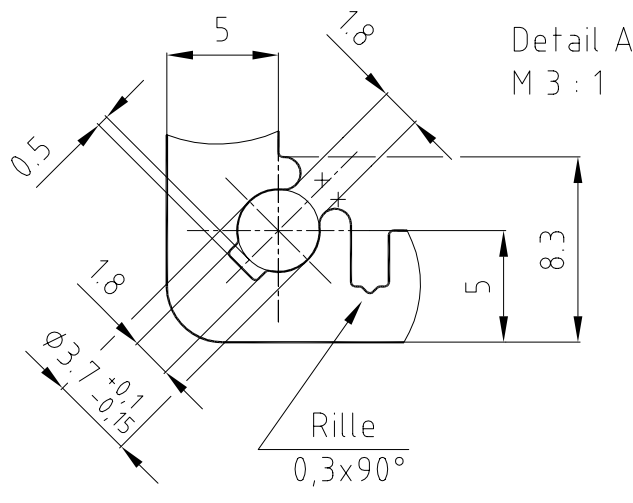
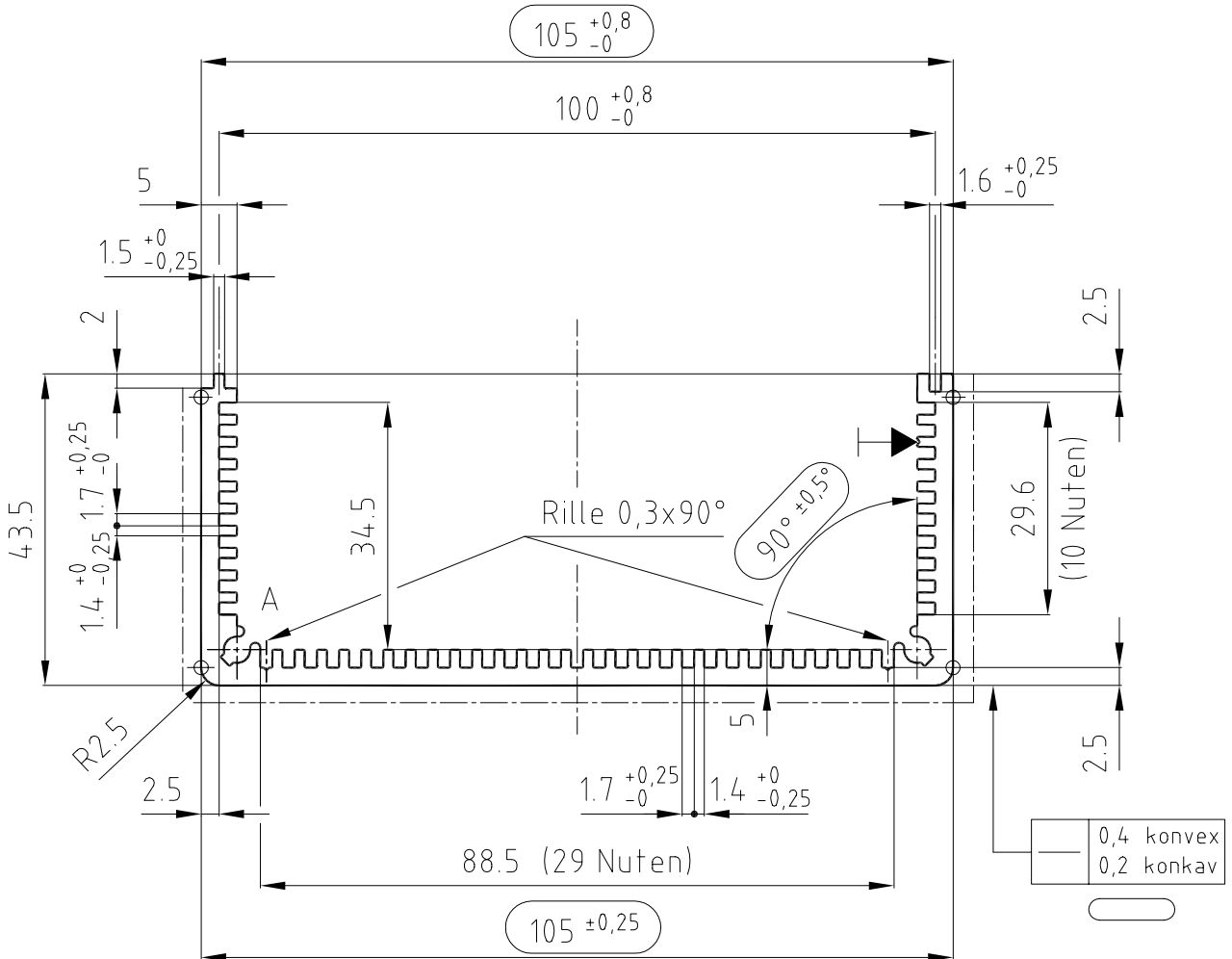
Data Sheet for Aluminium Housing

Electronics aluminium housing for euroboards

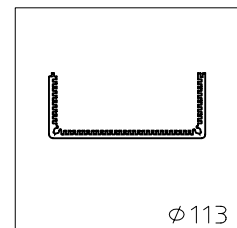
Series EUKAP K

Drawing

Profile P1-43,5



+ = R



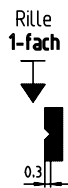
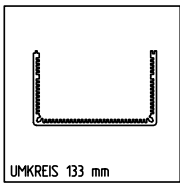
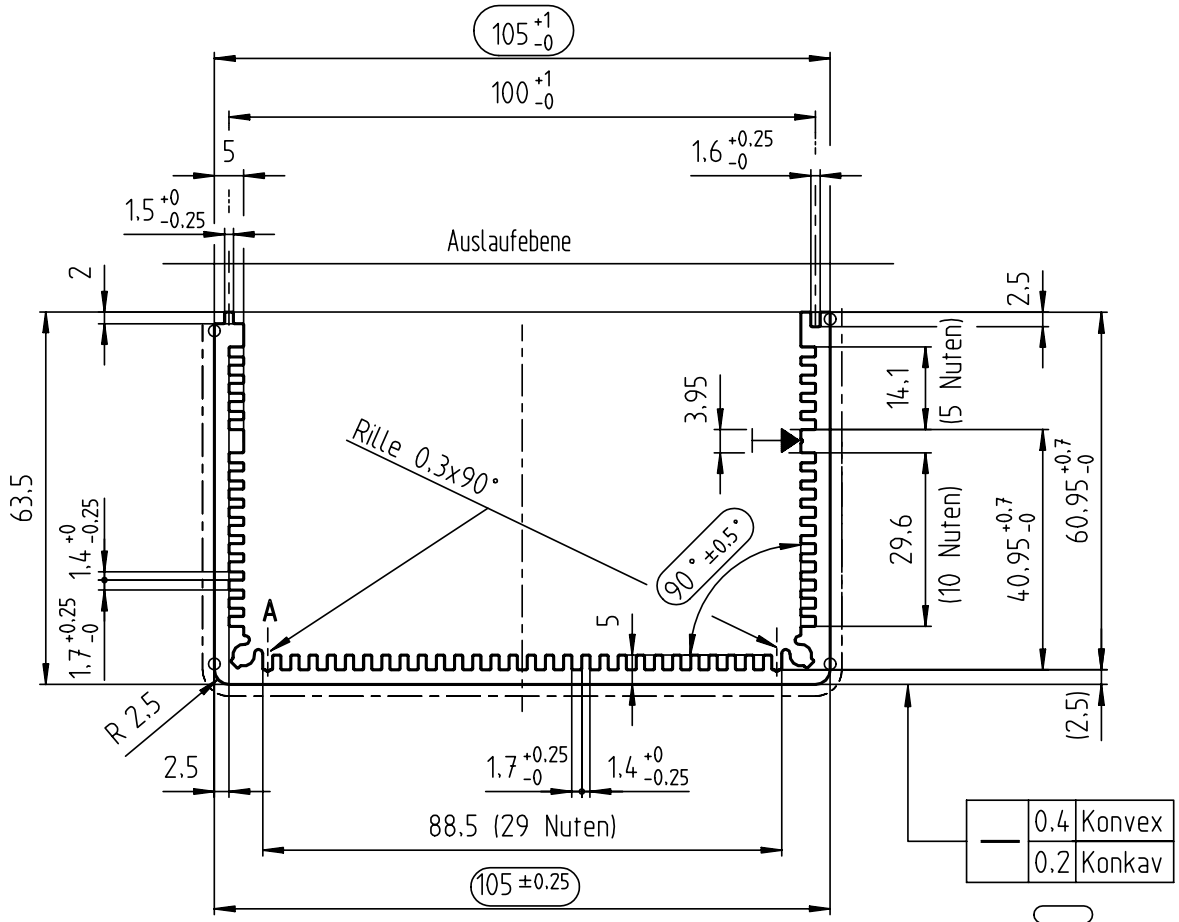
Data Sheet for Aluminium Housing

Electronics aluminium housing for euroboards

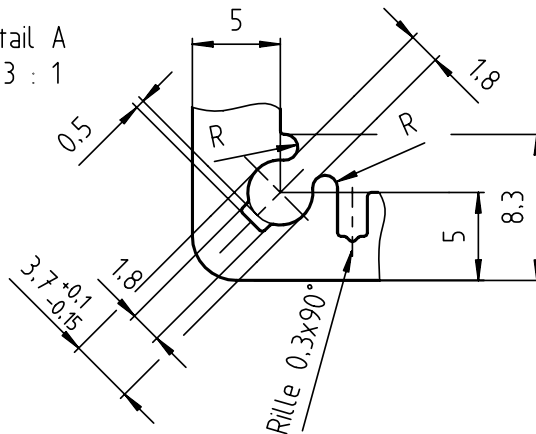
Series EUKAP K

Drawing

Profile P1-63,5



Detail A
M 3 : 1



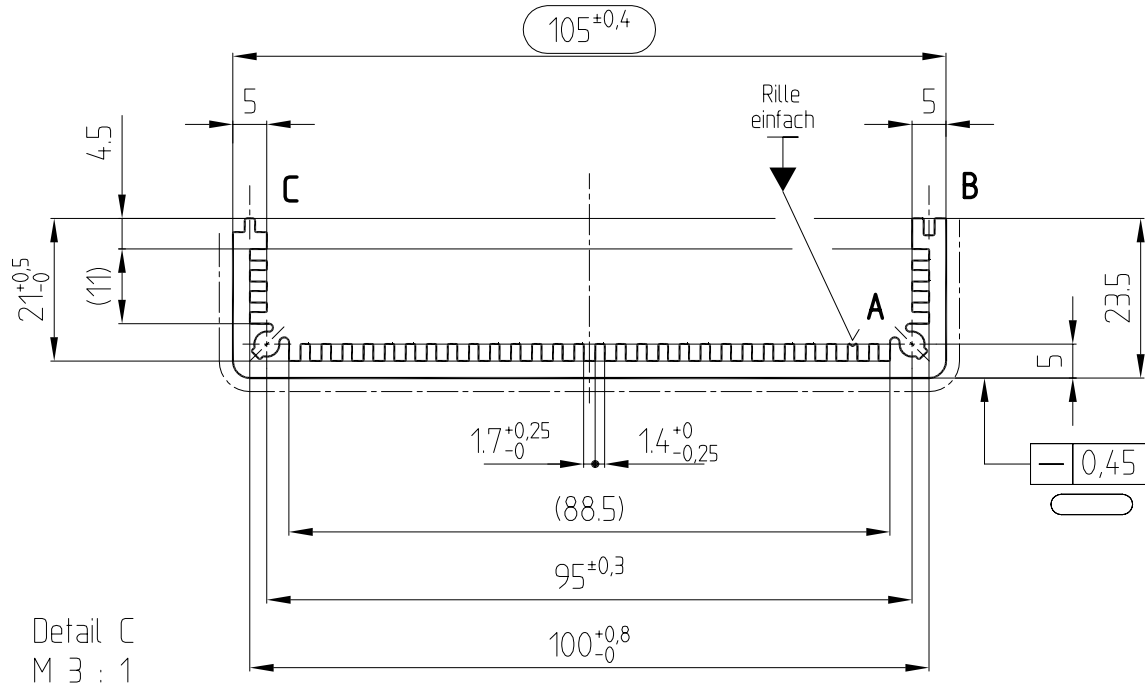
Data Sheet for Aluminium Housing

Electronics aluminium housing for euroboards

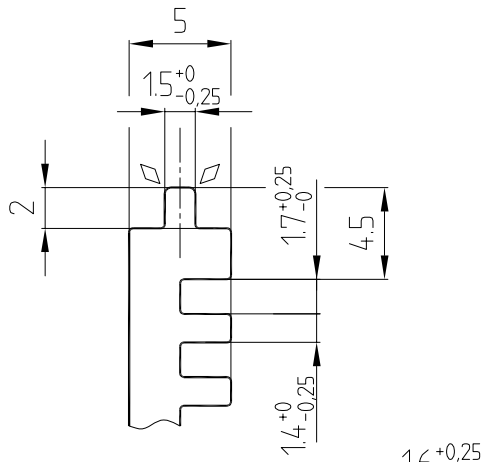
Series EUKAP K

Drawing

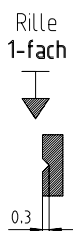
Profile P2



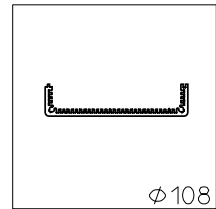
Detail C
M 3 : 1



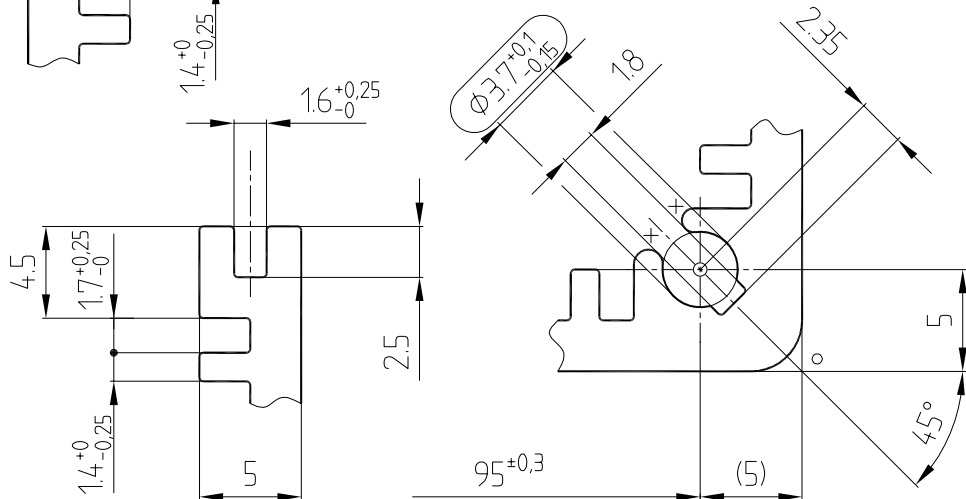
Detail B
M 3 : 1



- ⊙ = theor. Schnittpunkt
- ◇ = R 0,3
- = R 2,5
- + = R



Detail A
M 3 : 1



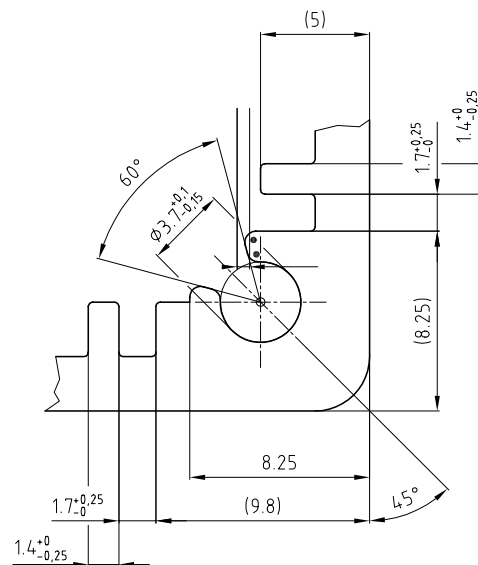
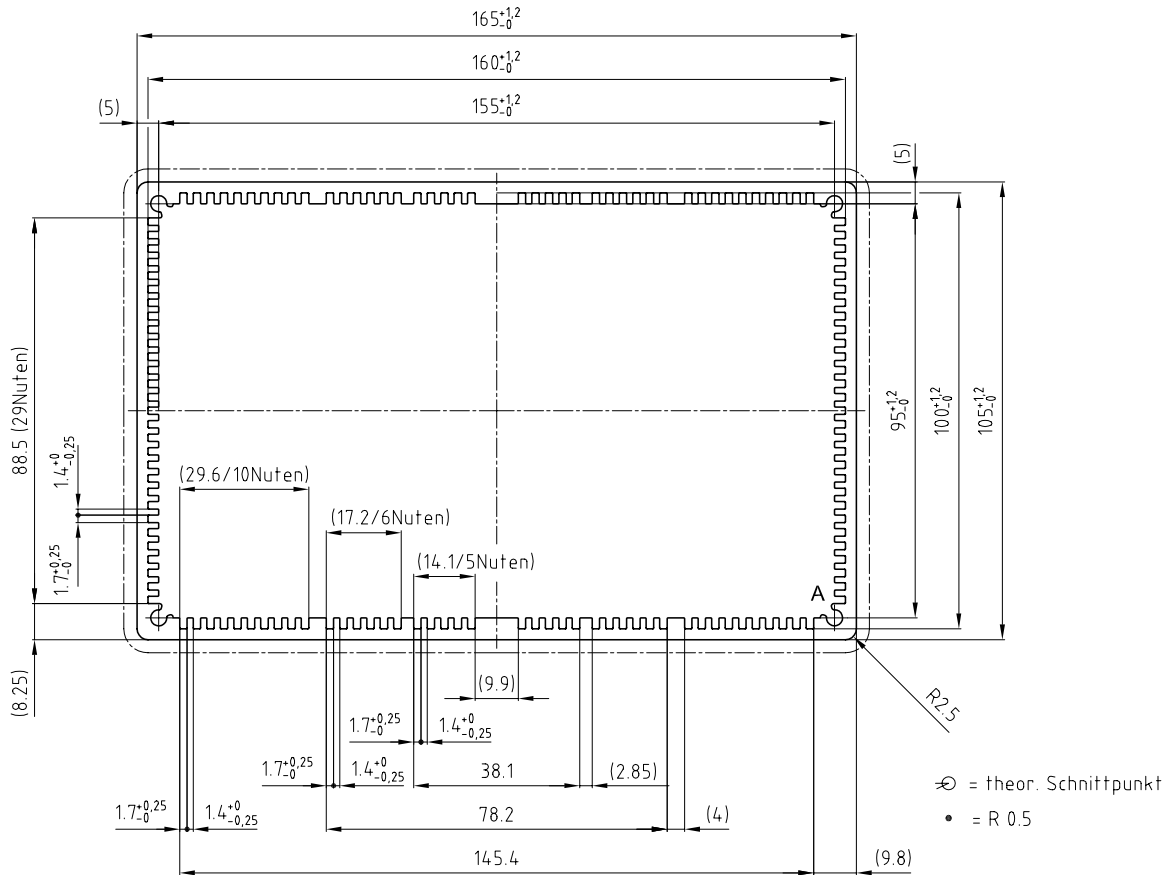
Data Sheet for Aluminium Housing

Electronics aluminium housing for euroboards

Series EUKAP K

Drawing

Profile 203G



Detail A
M 5 : 1

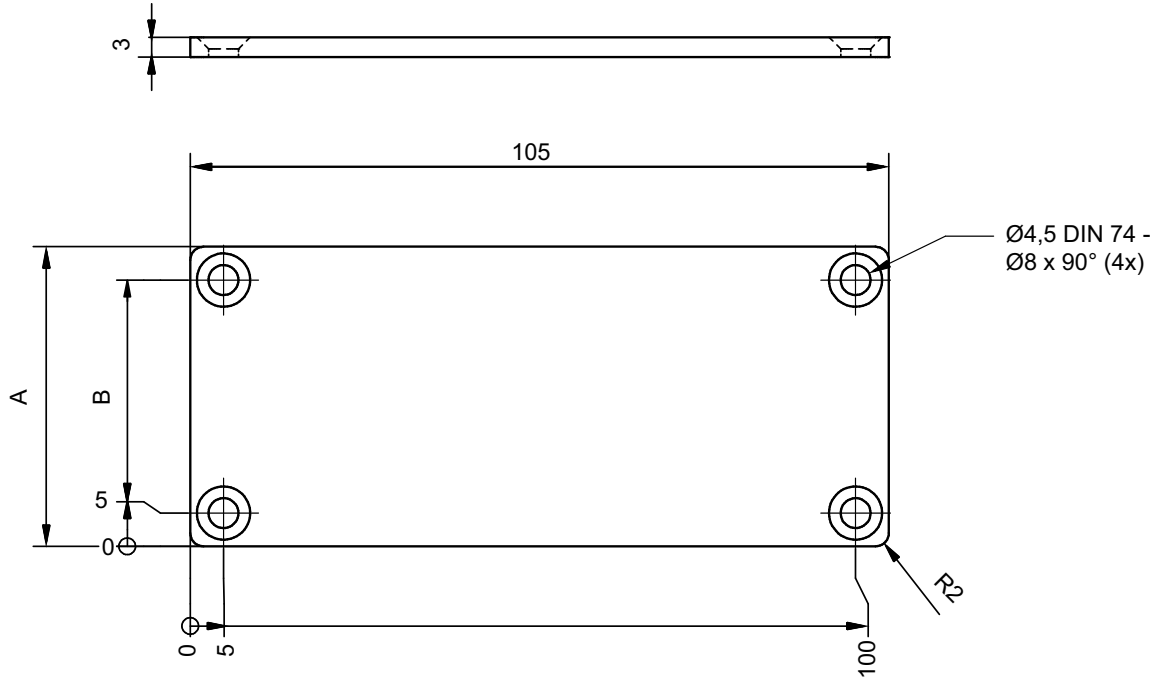
Data Sheet for Aluminium Housing

Electronics aluminium housing for euroboards

Series EUKAP K

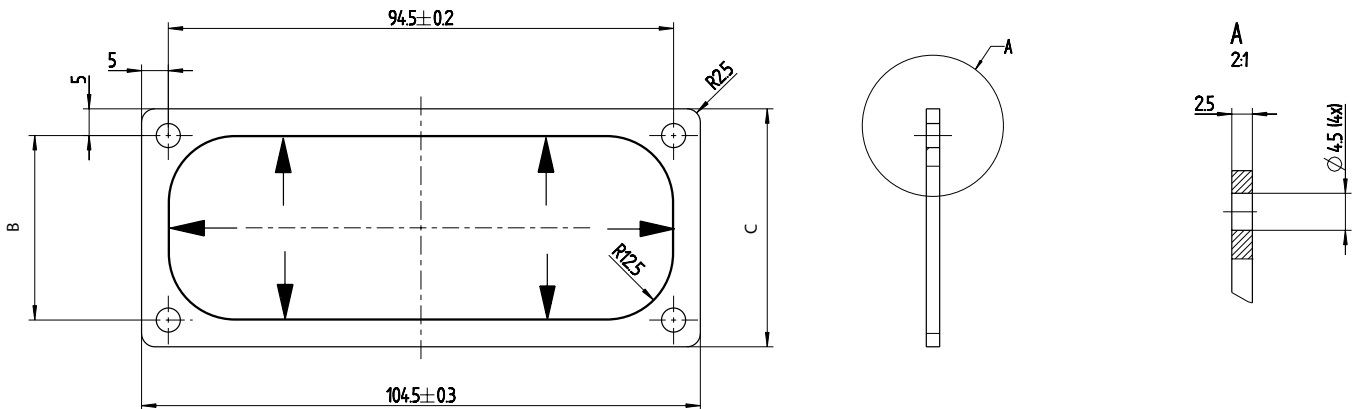
Drawing

End plates



Dimensions	165	145	125	105	85	65	45
A [mm]	165	145	125	105	85	65	45
B [mm]	155	135	115	95	75	55	35

Seal



Dimensions	155	135	115	95	75	55	35
B [±0,2 mm]	155	135	115	95	75	55	35
C [±0,3 mm]	163,5	144,5	114,5	94,5	84,5	64,5	44,5