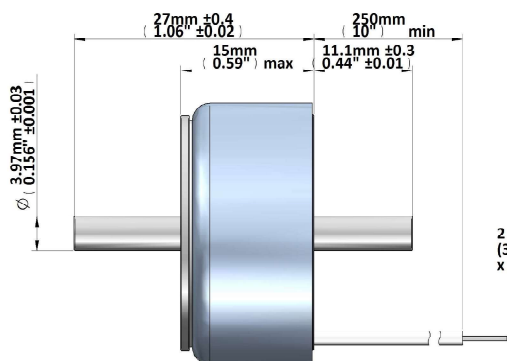




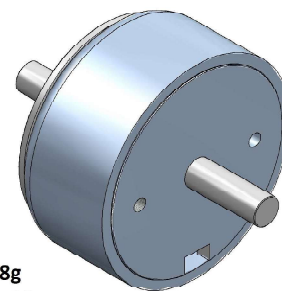
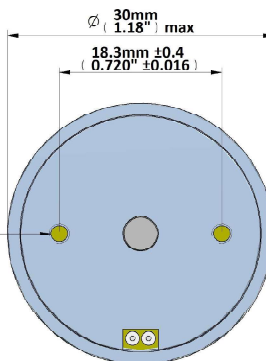
# GEEPLUS Small Push Pull Solenoid size 300

Device drawn in energised condition  
 conical plunger  
 Life Expectancy (cycles): >5M

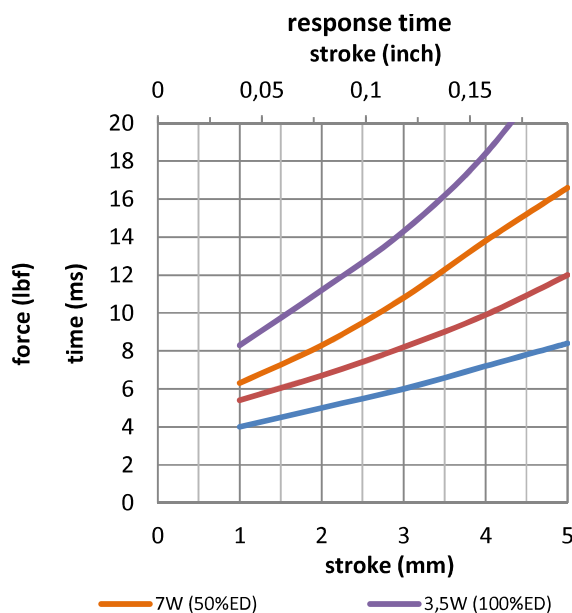
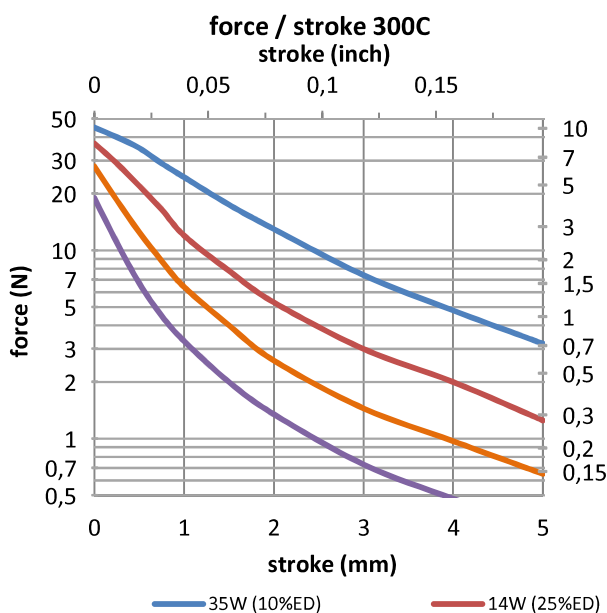
Available mechanical options:  
 M: metric thread  
 F: SAE thread



2 x M2.3 x P0.4  
 (3-48 NC-2B)  
 x 2 (0.08") deep



Mass 58g  
 Plunger 16g  
 Leadwires 28AWG, UL1430



Data at 20°C, without heatsink

duty cycle = $\frac{\text{"on" time}}{\text{"on" time} + \text{"off" time}} \times 100\%$		100% cont.	50% or less	25% or less	10% or less	
Max. "on" time in seconds		∞	100	36	7	
watts at 20°C		3,5	7	14	35	
ampere-turns at 20°		272	385	545	864	
type no.	resistance	number of turns	volts DC			
	$\Omega \pm 10\%$ (at 20°C)					
M300C-3V F300C-3V	2,6	235	3,0	4,2	6,0	9,5
M300C-6V F300C-6V	10,4	485	6,0	8,5	12	19
M300C-12V F300C-12V	41,8	990	12	17	24	38
M300C-24V F300C-24V	166	1780	24	34	48	76

Insulation Resistance >100MΩ, 500VDC Megger  
 Class E (120°C) insulation class

Dielectric Strength 1000VAC, 50/60Hz, 1 minute

Geplus reserves the right to change specifications without notice

[www.geplus.com](http://www.geplus.com)