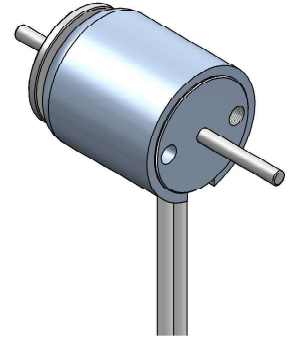
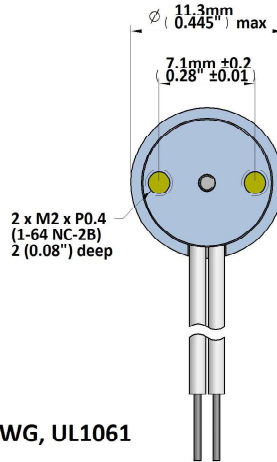
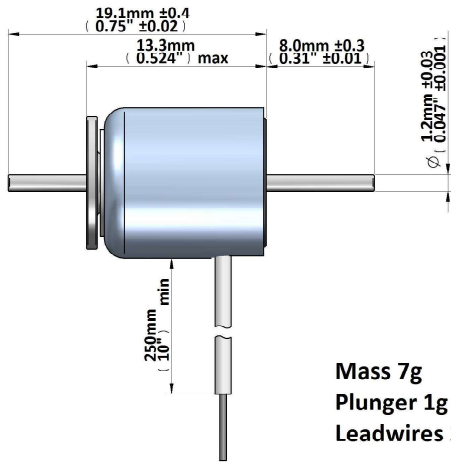




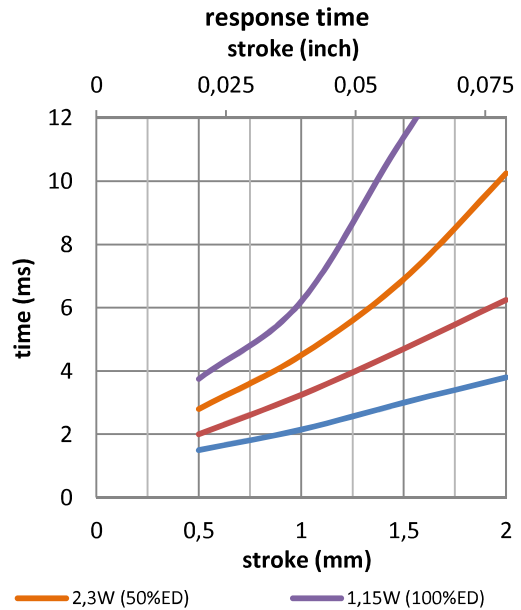
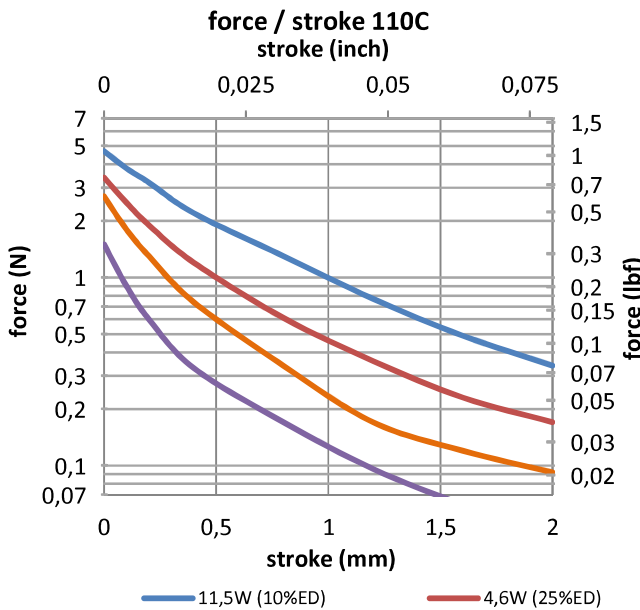
GEEPLUS Small Push Pull Solenoid size 110

Device drawn in energised condition
 conical plunger
 Life Expectancy (cycles): >5M

Available mechanical options:
 M: metric thread
 F: SAE thread



Mass 7g
 Plunger 1g
 Leadwires 28AWG, UL1061



Data at 20°C, without heatsink

duty cycle = $\frac{\text{"on" time}}{\text{"on" time} + \text{"off" time}} \times 100\%$		100% cont.	50% or less	25% or less	10% or less	
Max. "on" time in seconds		∞	100	36	7	
watts at 20°C		1,15	2,3	4,6	11,5	
ampere-turns at 20°		105	148	210	332	
type no.	resistance	number of turns	volts DC			
	$\Omega \pm 10\%$ (at 20°C)					
M110C-3V F110C-3V	10,5	390	3,0	4,2	6,0	9,5
M110C-6V F110C-6V	31,5	700	6,0	8,5	12	19
M110C-12V F110C-12V	143,0	1450	12	17	24	38

Insulation Resistance >100MΩ, 500VDC Megger
 Class A (105°C) insulation class

Dielectric Strength 1000VAC, 50/60Hz, 1 minute

Geplus reserves the right to change specifications without notice

www.geeplus.com