

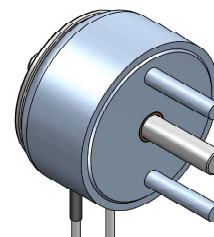
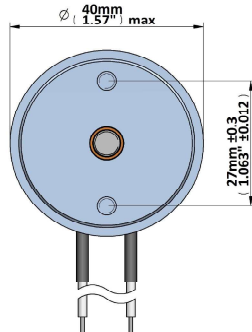
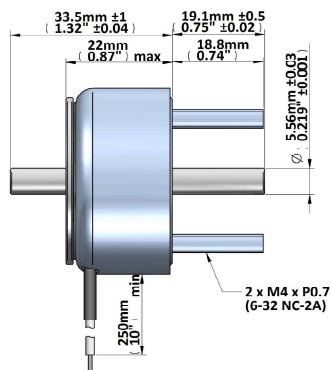


GEEPLUS

Push Pull Solenoid size 401

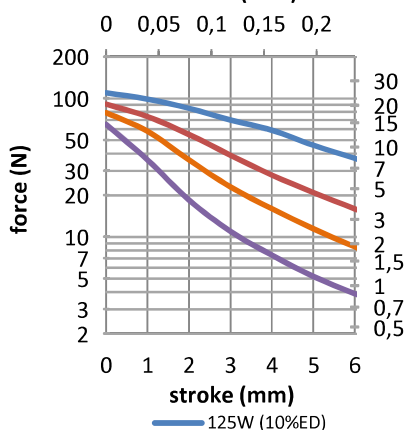
Device drawn in energised condition
plunger options: conical (401C) / flat (401F)
Life Expectancy (cycles): >2M (-P), >10M (-PE)

Available mechanical options:
M: metric thread
F: SAE thread

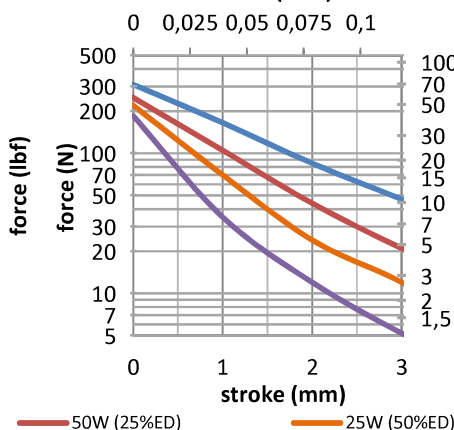


Mass 200g
Plunger (C) 60g
Plunger (F) 40g
Leadwires 24AWG, UL1430

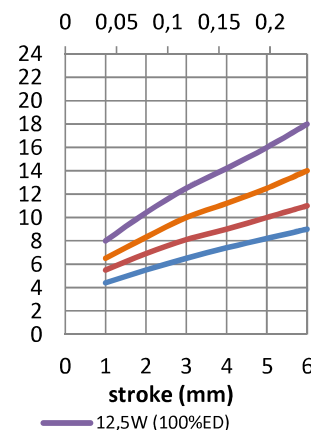
force / stroke 401C
stroke (inch)



force / stroke 401F
stroke (inch)



response time 401C
stroke (inch)



Data at 20°C, device connected to heatsink 160x160x3mm aluminum

duty cycle = $\frac{\text{"on" time}}{\text{"on" time} + \text{"off" time}} \times 100\%$		100% cont.	50% or less	25% or less	10% or less
Max. "on" time in seconds		∞	100	36	9
watts at 20°C		12,5	25	50	125
ampere-turns at 20°		714	1000	1425	2250
AWG no.	resistance Ω±10% (at 20°C)	number of turns	volts DC		
25	3,50	384	6,6	9,5	13
26	5,67	486	8,4	12	17
27	8,76	600	11	16	22
28	13,8	748	13	18	26
29	22,6	975	17	23	33
30	34,8	1190	21	30	42
31	56,7	1520	27	38	54
32	88,3	1908	35	49	70
33	138	2360	43	60	86
34	216	2904	53	75	106
35	351	3725	67	95	132
36	480	4000	85	119	169
37	720	4950	105	147	210
38	1150	6200	132	185	264
39	1920	8350	166	232	332
40	3000	10000	210	300	-

Insulation Resistance >100MΩ, 500VDC Megger
Class E (120°C) insulation class

Dielectric Strength 1000VAC, 50/60Hz, 1 minute

Geeplus reserves the right to change specifications without notice

www.geeplus.com