

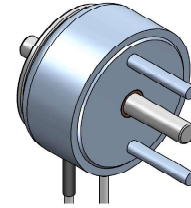
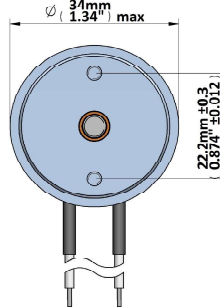
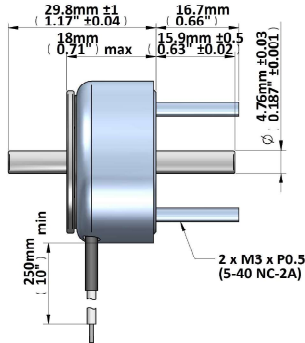


GEEPLUS

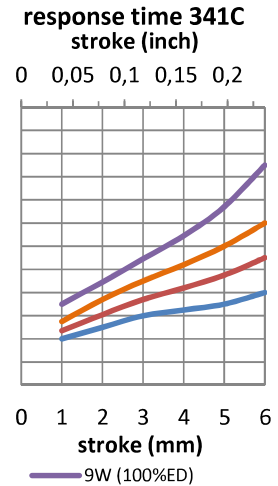
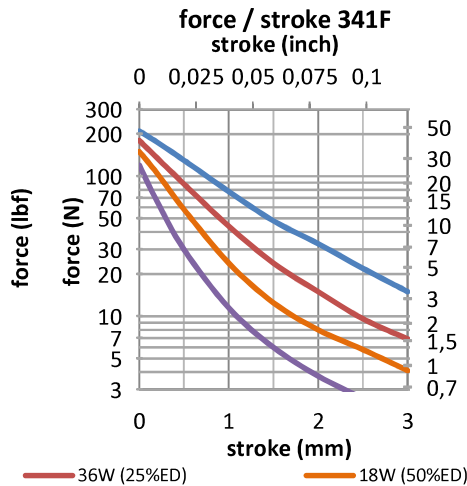
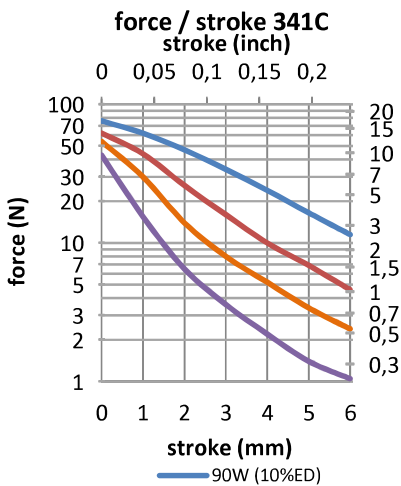
Push Pull Solenoid size 341

Device drawn in energised condition
plunger options: conical (341C) / flat (341F)
Life Expectancy (cycles): >2M (-P), >10M (-PE)

Available mechanical options:
M: metric thread
F: SAE thread



Mass 97g
Plunger (C) 23g
Plunger (F) 16g
Leadwires 24AWG, UL1430



Data at 20°C, device connected to heatsink 120x120x3mm aluminum

| duty cycle = $\frac{\text{"on" time}}{\text{"on" time} + \text{"off" time}} \times 100\%$ | | | 100% cont. | 50% or less | 25% or less | 10% or less |
|---|-----------------------------|--------------------|---------------|----------------|----------------|----------------|
| Max. "on" time in seconds | | | ∞ | 100 | 36 | 8 |
| watts at 20°C | | | 9 | 18 | 36 | 90 |
| ampere-turns at 20° | | | 535 | 756 | 1070 | 1690 |
| AWG no. | resistance | number of turns | volts DC | | | |
| | $\Omega \pm 10\%$ (at 20°C) | | | | | |
| 25 | 1,97 | 252 | 4,2 | 5,9 | 8,4 | 13 |
| 26 | 3,26 | 328 | 5,3 | 7,5 | 11 | 17 |
| 27 | 5,04 | 405 | 6,7 | 9,4 | 13 | 21 |
| 28 | 8,02 | 510 | 8,4 | 12 | 17 | 26 |
| 29 | 12,2 | 627 | 10 | 15 | 21 | 33 |
| 30 | 19,2 | 780 | 13 | 19 | 26 | 42 |
| 31 | 31,8 | 1008 | 17 | 24 | 33 | 53 |
| 32 | 47,0 | 1215 | 21 | 30 | 42 | 66 |
| 33 | 75,3 | 1530 | 26 | 37 | 53 | 84 |
| 34 | 120,5 | 1900 | 33 | 47 | 67 | 105 |
| 35 | 198 | 2486 | 42 | 59 | 84 | 133 |
| 36 | 280 | 2700 | 53 | 75 | 106 | 167 |
| 37 | 426 | 3350 | 67 | 94 | 133 | 210 |
| 38 | 648 | 4050 | 84 | 118 | 168 | 264 |
| 39 | 1020 | 5050 | 105 | 149 | 211 | 333 |
| 40 | 1667 | 6590 | 133 | 187 | 265 | 419 |

Insulation Resistance >100MΩ, 500VDC Megger
Class E (120°C) insulation class

Dielectric Strength 1000VAC, 50/60Hz, 1 minute

Geeplus reserves the right to change specifications without notice

www.geeplus.com