

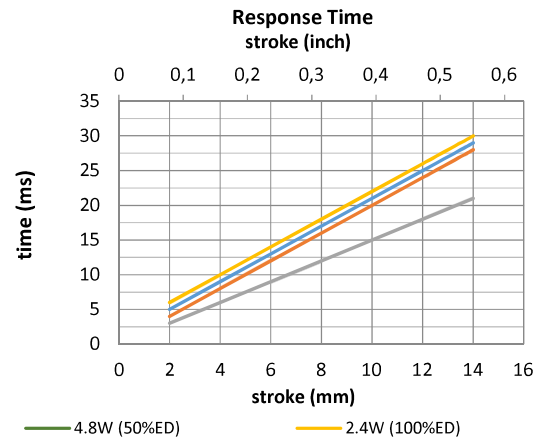
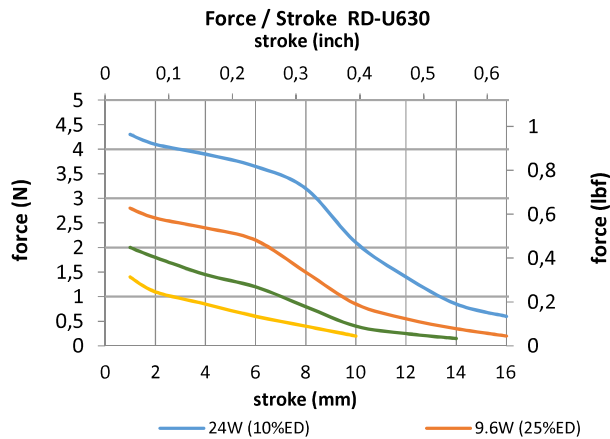
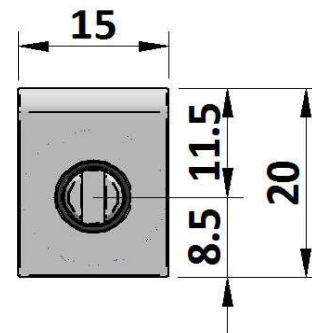
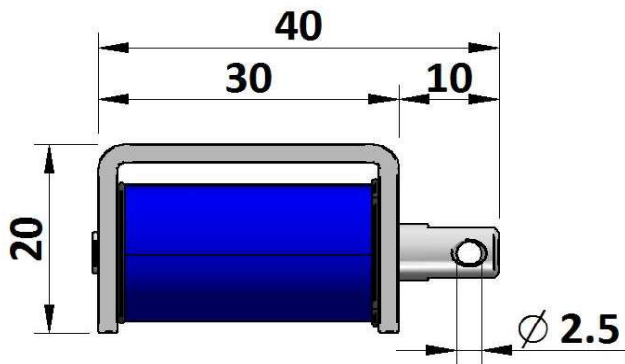
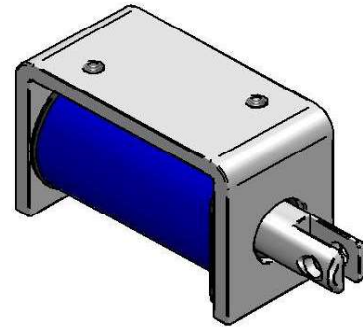
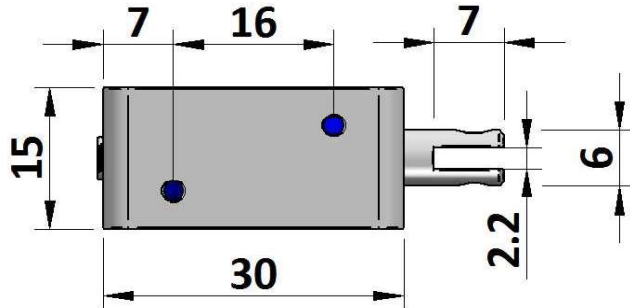


**GEEPLUS**

## Open Frame Solenoid RD-U630

Device drawn in energised condition  
 Life Expectancy >250K cycles  
 Leadwires UL1007, 26AWG, 300mm

Plunger Mass 6 grammes  
 Total Mass 42 grammes



Data at 20°C, device performance measured without heat sink

duty cycle = $\frac{\text{"on" time}}{\text{"on" time} + \text{"off" time}} \times 100\%$		100% cont.	50% or less	25% or less	10% or less
Max. "on" time in seconds		∞	322	103	30
watts at 20°C		2,4	4,8	9,6	24,0
ampere-turns at 20°					
AWG no.	resistance Ω±10% (at 20°C)	number of turns	volts DC		
RD-U630-6v	15		6,0	8,5	12,0
RD-U630-12v	60		12,0	17,0	24,0
RD-U630-24v	240		24,0	34,0	48,0

Insulation Resistance >100MΩ, 500VDC Megger

Dielectric Strength 500VAC, 50/60Hz, 1 minute

Class A (105°C) insulation class