



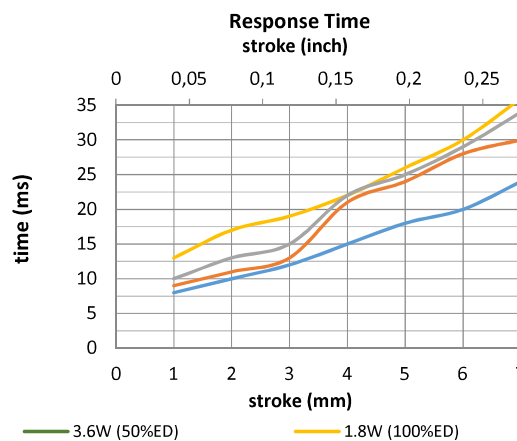
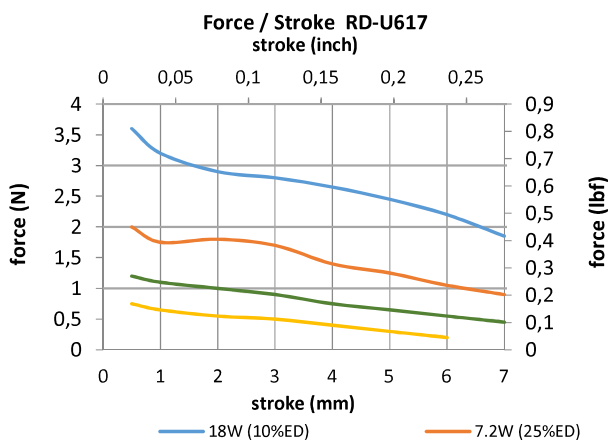
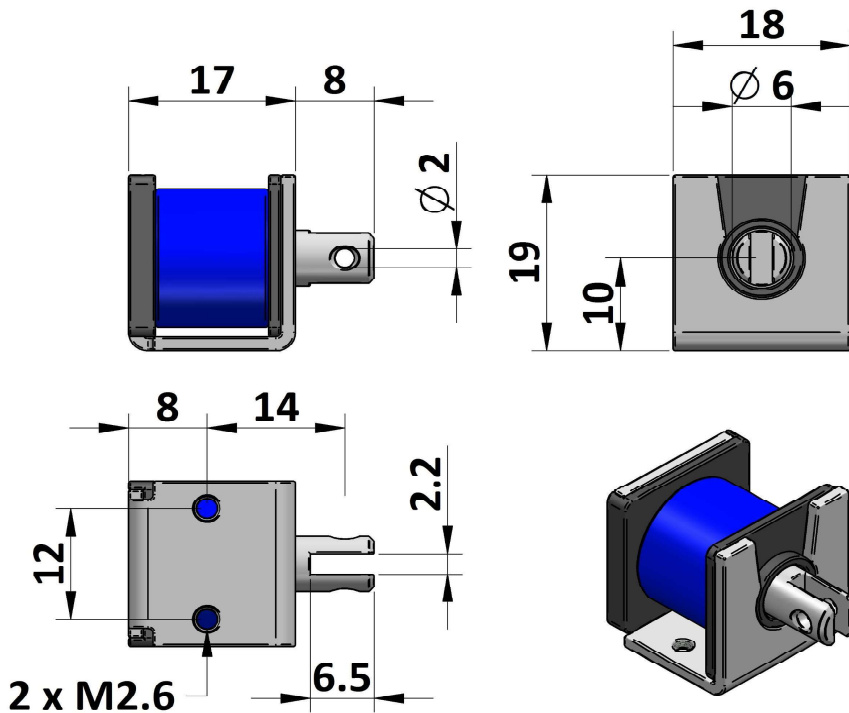
**GEEPLUS**

## Open Frame Solenoid RD-U617

TDS Precision Products GmbH  
 Industriestrasse 1a  
 CH-8157 Dielsdorf  
 T + 41 44 885 30 80  
 info@tds-pp.com  
 www.tds-pp.com

Device drawn in energised condition  
 Life Expectancy >250K cycles  
 Leadwires UL1007, 26AWG, 310mm

Plunger Mass 4 grammes  
 Total Mass 25 grammes



Data at 20°C, device performance measured without heat sink

duty cycle = $\frac{\text{"on" time}}{\text{"on" time} + \text{"off" time}} \times 100\%$		100% cont.	50% or less	25% or less	10% or less	
Max. "on" time in seconds		∞	256	85	24	
watts at 20°C		1,8	3,6	7,2	18,0	
ampere-turns at 20°						
AWG no.	resistance Ω±10% (at 20°C)	number of turns	volts DC			
RD-U617-6v	20		6,0	8,5	12,0	19,0
RD-U617-12v	80		12,0	17,0	24,0	38,0
RD-U617-24v	320		24,0	34,0	48,0	76,0

Insulation Resistance >100MΩ, 500VDC Megger

Dielectric Strength 500VAC, 50/60Hz, 1 minute

Class A (105°C) insulation class

Geeplus reserves the right to change specifications without notice

[www.geeplus.com](http://www.geeplus.com)