



GEEPLUS

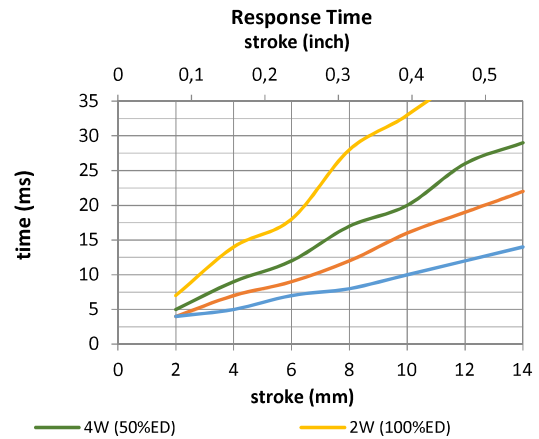
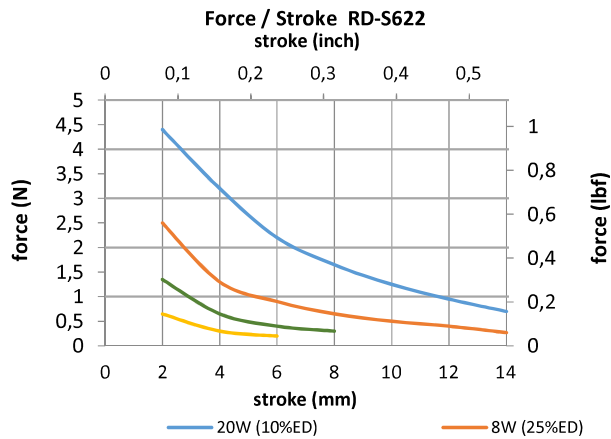
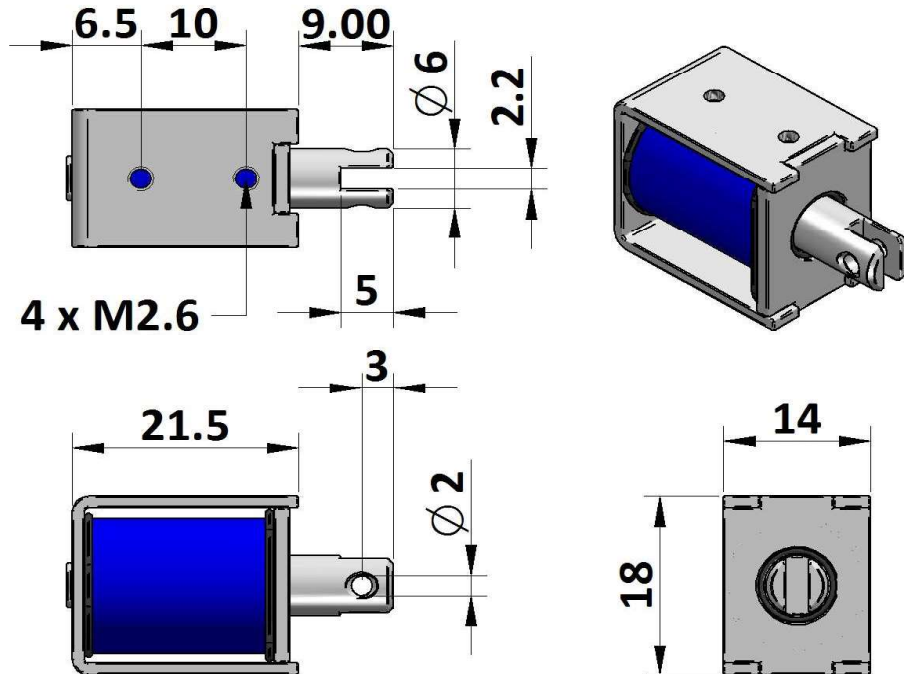
Open Frame Solenoid RD-S622

TDS Precision Products GmbH
Industriestrasse 1a
CH-8157 Dielsdorf

T + 41 44 885 30 80
info@tds-pp.com
www.tds-pp.com

Device drawn in energised condition
Life Expectancy >250K cycles
Leadwires UL1007, 26AWG, 300mm

Plunger Mass 6 grammes
Total Mass 26 grammes



Data at 20°C, device performance measured without heat sink

| duty cycle = $\frac{\text{"on" time}}{\text{"on" time} + \text{"off" time}} \times 100\%$ | | 100% cont. | 50% or less | 25% or less | 10% or less | |
|---|---|--------------------|----------------|----------------|----------------|------|
| Max. "on" time in seconds | | ∞ | 168 | 59 | 16 | |
| watts at 20°C | | 2,0 | 4,0 | 8,0 | 20,0 | |
| ampere-turns at 20° | | | | | | |
| AWG no. | resistance $\Omega \pm 10\%$ (at 20°C) | number of turns | volts DC | | | |
| RD-S622-6v | 18 | | 6,0 | 8,5 | 12,0 | 19,0 |
| RD-S622-12v | 72 | | 12,0 | 17,0 | 24,0 | 38,0 |
| RD-S622-24v | 288 | | 24,0 | 34,0 | 48,0 | 76,0 |

Insulation Resistance >100M Ω , 500VDC Megger

Dielectric Strength 500VAC, 50/60Hz, 1 minute

Class A (105°C) insulation class

Geeplus reserves the right to change specifications without notice
www.geeplus.com