

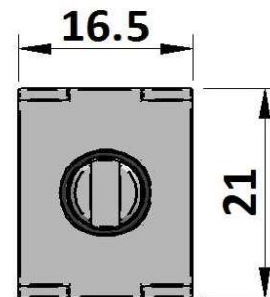
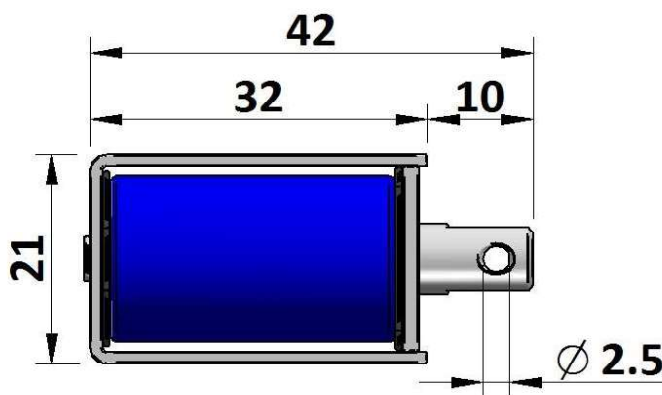
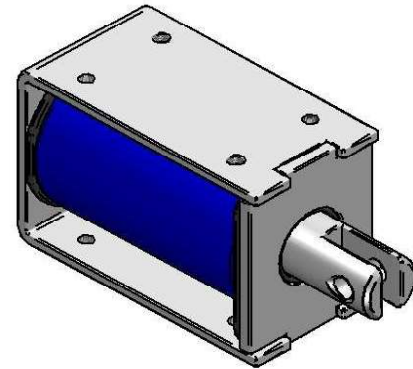
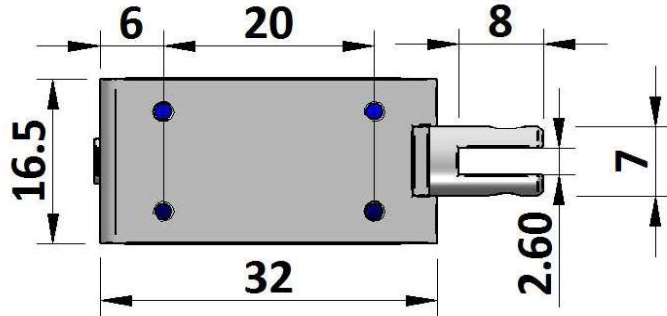


GEEPLUS

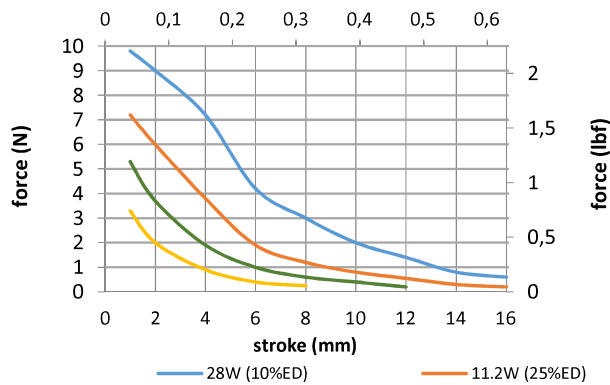
Open Frame Solenoid RD-A732

Device drawn in energised condition
 Life Expectancy >250K cycles
 Leadwires UL1007, 26AWG, 300mm

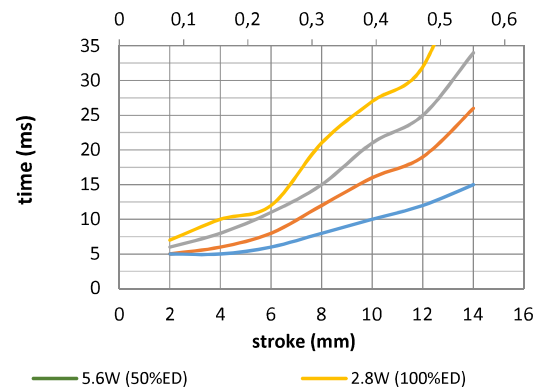
Plunger Mass 9 grammes
 Total Mass 53 grammes



Force / Stroke RD-A732
 stroke (inch)



Response Time
 stroke (inch)



Data at 20°C, device performance measured without heat sink

| duty cycle = $\frac{\text{"on" time}}{\text{"on" time} + \text{"off" time}} \times 100\%$ | | 100% cont. | 50% or less | 25% or less | 10% or less |
|---|-------------------------------|--------------------|----------------|----------------|----------------|
| Max. "on" time in seconds | | ∞ | 309 | 100 | 28 |
| watts at 20°C | | 2,8 | 5,6 | 11,2 | 28,0 |
| ampere-turns at 20° | | | | | |
| AWG no. | resistance Ω±10% (at 20°C) | number of turns | volts DC | | |
| RD-A732-6v | 12,9 | | 6,0 | 8,5 | 12,0 |
| RD-A732-12v | 51,4 | | 12,0 | 17,0 | 24,0 |
| RD-A732-24v | 206 | | 24,0 | 34,0 | 48,0 |

Insulation Resistance >100MΩ, 500VDC Megger

Dielectric Strength 500VAC, 50/60Hz, 1 minute

Class A (105°C) insulation class