

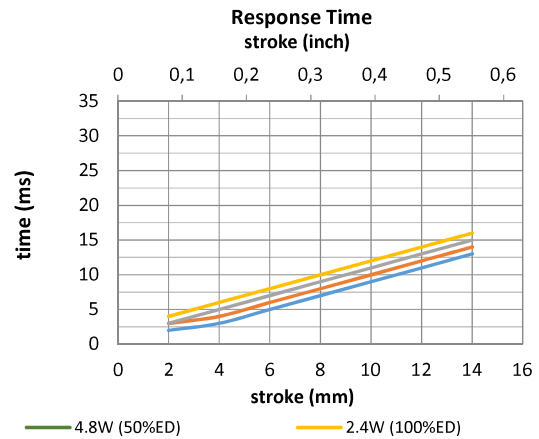
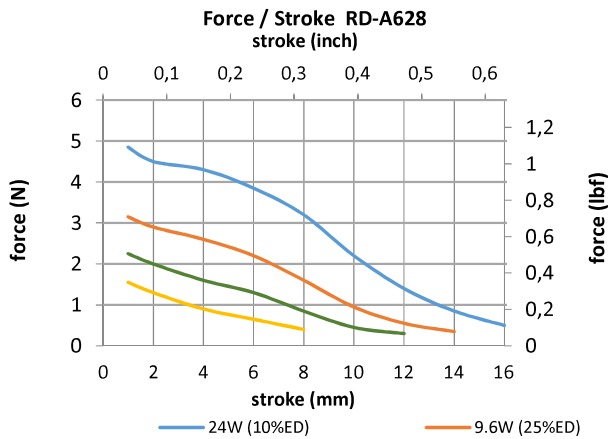
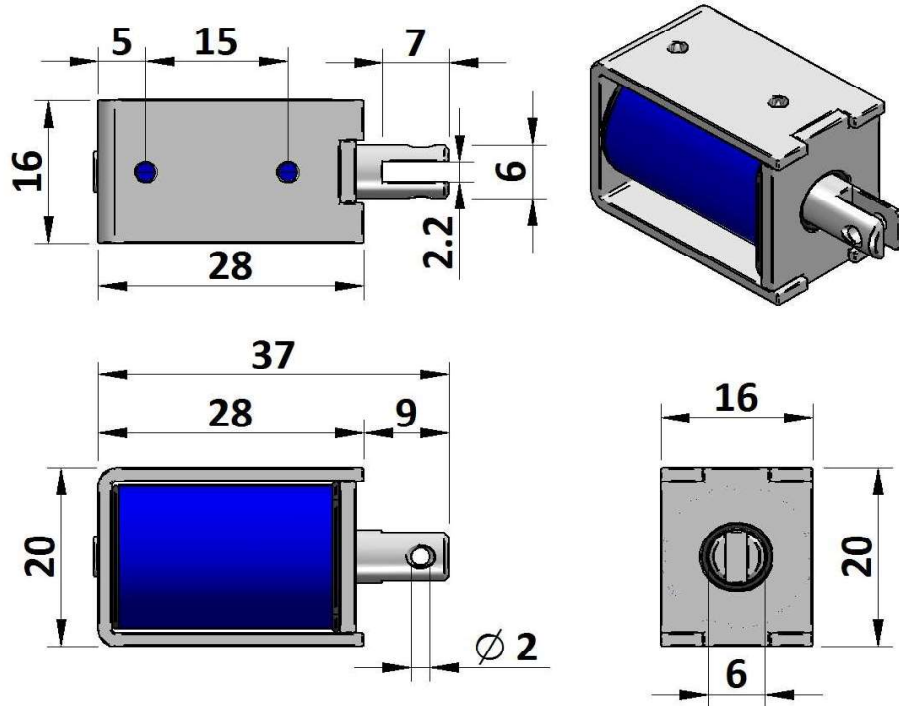


GEEPLUS

Open Frame Solenoid RD-A628

Device drawn in energised condition
Life Expectancy >250K cycles
Leadwires UL1007. 26AWG. 300mm

Plunger Mass 6 grammes
Total Mass 43 grammes



Data at 20°C, device performance measured without heat sink

duty cycle = $\frac{\text{"on" time}}{\text{"on" time} + \text{"off" time}} \times 100\%$		100% cont.	50% or less	25% or less	10% or less	
Max. "on" time in seconds		∞	319	109	23	
watts at 20°C		2,4	4,8	9,6	24,0	
ampere-turns at 20°						
AWG no.	resistance Ω±10% (at 20°C)	number of turns	volts DC			
RD-A628-6v	15		6,0	8,5	12,0	19,0
RD-A628-12v	60		12,0	17,0	24,0	38,0
RD-A628-24v	240		24,0	34,0	48,0	76,0

0,4
0,2
0,1

Insulation Resistance >100MΩ, 500VDC Megger

Dielectric Strength 500VAC, 50/60Hz, 1 minute

Class A (105°C) insulation class