

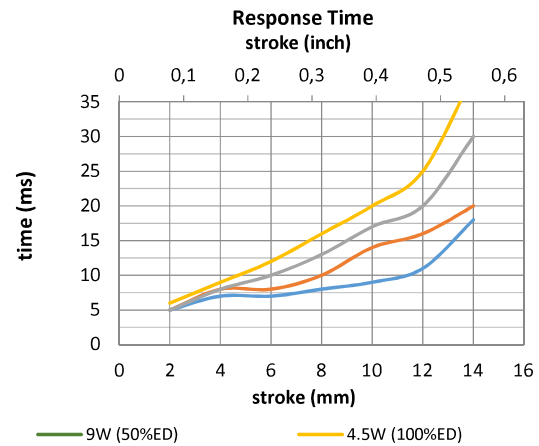
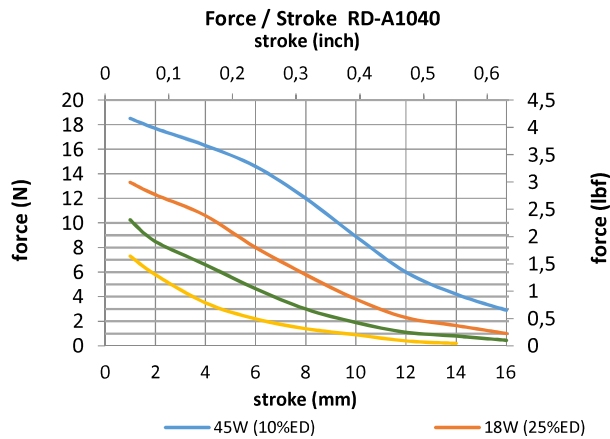
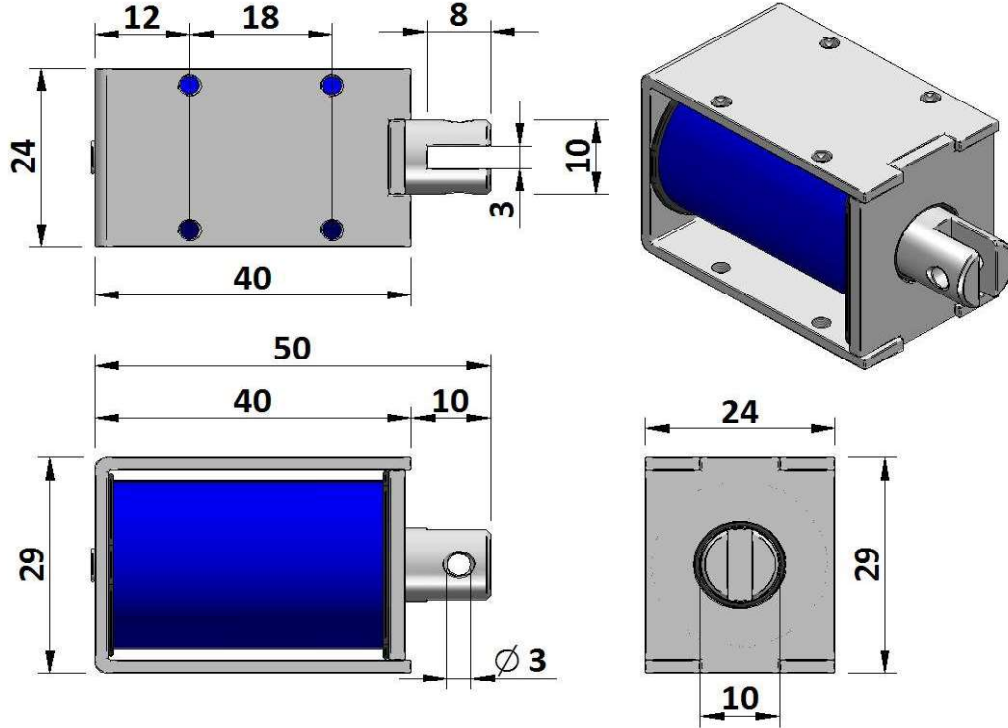


GEEPLUS

Open Frame Solenoid RD-A1040

Device drawn in energised condition
 Life Expectancy >250K cycles
 Leadwires UL1007, 22AWG, 320mm

Plunger Mass 22 grammes
 Total Mass 129 grammes



Data at 20°C, device performance measured without heat sink

duty cycle = $\frac{\text{"on" time}}{\text{"on" time} + \text{"off" time}} \times 100\%$		100% cont.	50% or less	25% or less	10% or less
Max. "on" time in seconds		∞	500	170	48
watts at 20°C		4,5	9,0	18,0	45,0
ampere-turns at 20°					
AWG no.	resistance Ω±10% (at 20°C)	number of turns	volts DC		
RD-A1040-6v	8,0		6,0	8,5	12,0
RD-A1040-12v	32,0		12,0	17,0	24,0
RD-A1040-24v	128		24,0	34,0	48,0

Insulation Resistance >100MΩ, 500VDC Megger

Dielectric Strength 500VAC, 50/60Hz, 1 minute

Class A (105°C) insulation class