



**GEEPLUS**

**T1L-0742-xxV**

$$\text{Duty Cycle} = \frac{\text{"on" time}}{\text{"on" time} + \text{"off" time}} \times 100\% \quad 100\% \text{ ED}$$

**Coil Data**

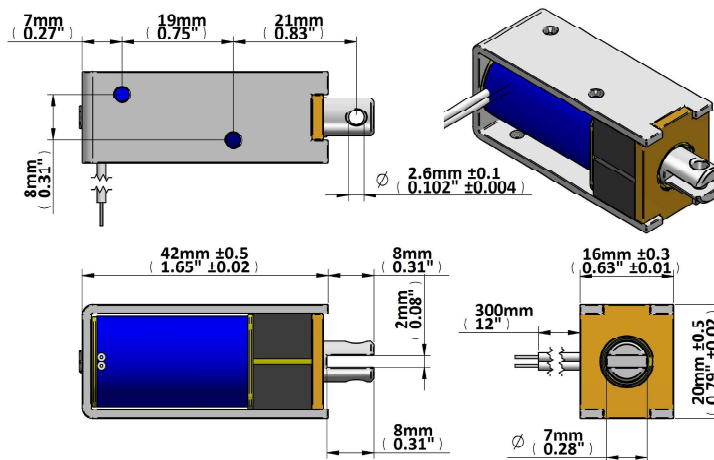
Maximum "on" time in seconds	∞
Watts at 20°C	2
Ampere-Turns at 20°C	363

P/N	Resistance ±10% @ 20°C	Coil Turns	Volts DC	Release Current
-----	------------------------	------------	----------	-----------------

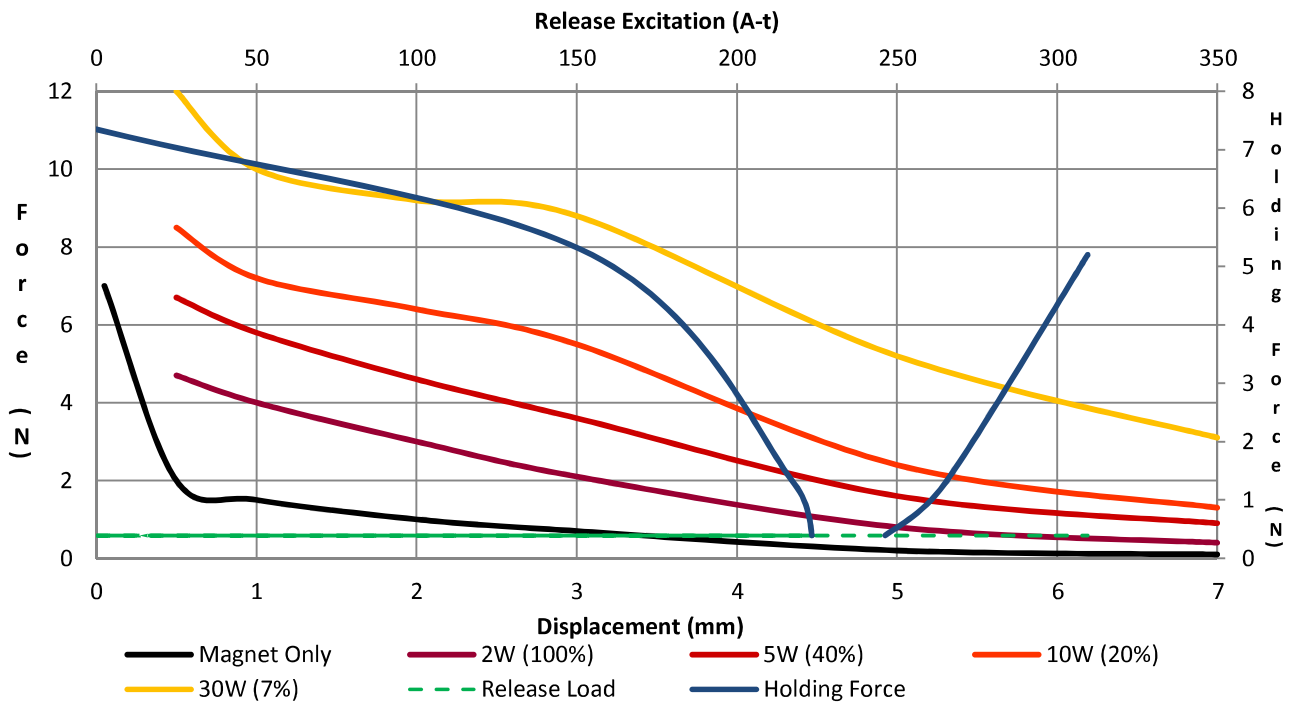
T1L-0742-6v	18.0 Ω	1090	6	333 mA
T1L-0742-12v	72.0 Ω	2080	12	167 mA
T1L-0742-24v	288.0 Ω	4086	24	83 mA

**General Parameters**

Life Expectancy (Cycles)	200 000
Mass	58.0 grammes
Plunger Mass	9.86 grammes
Leadwires 250mm (10")min, UL1007, AWG26	
Isolation Class	A (105°C)
Dielectric Strength 1000V AC, 50/60Hz, 1min	
Insulation Res >100MΩ, 500V DC Megger	



**Force (N) vs Displacement (mm) & Release Characteristic**



Geeplus reserves the right to change specifications without notice  
[www.geeplus.com](http://www.geeplus.com)