



GEEPLUS

T1L-0422-xxV

$$\text{Duty Cycle} = \frac{\text{"on" time}}{\text{"on" time} + \text{"off" time}} \times 100\% \quad 100\% \text{ ED}$$

Coil Data

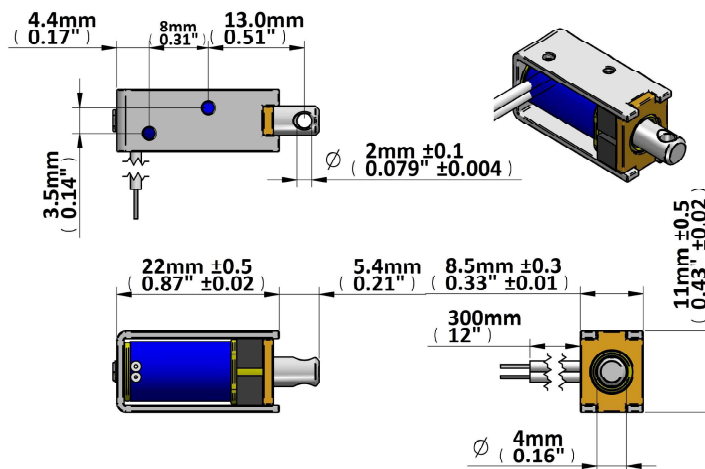
Maximum "on" time in seconds	∞
Watts at 20°C	2,8
Ampere-Turns at 20°C	225

P/N	Resistance ±10% @ 20°C	Coil Turns	Volts DC	Release Current
-----	------------------------	------------	----------	-----------------

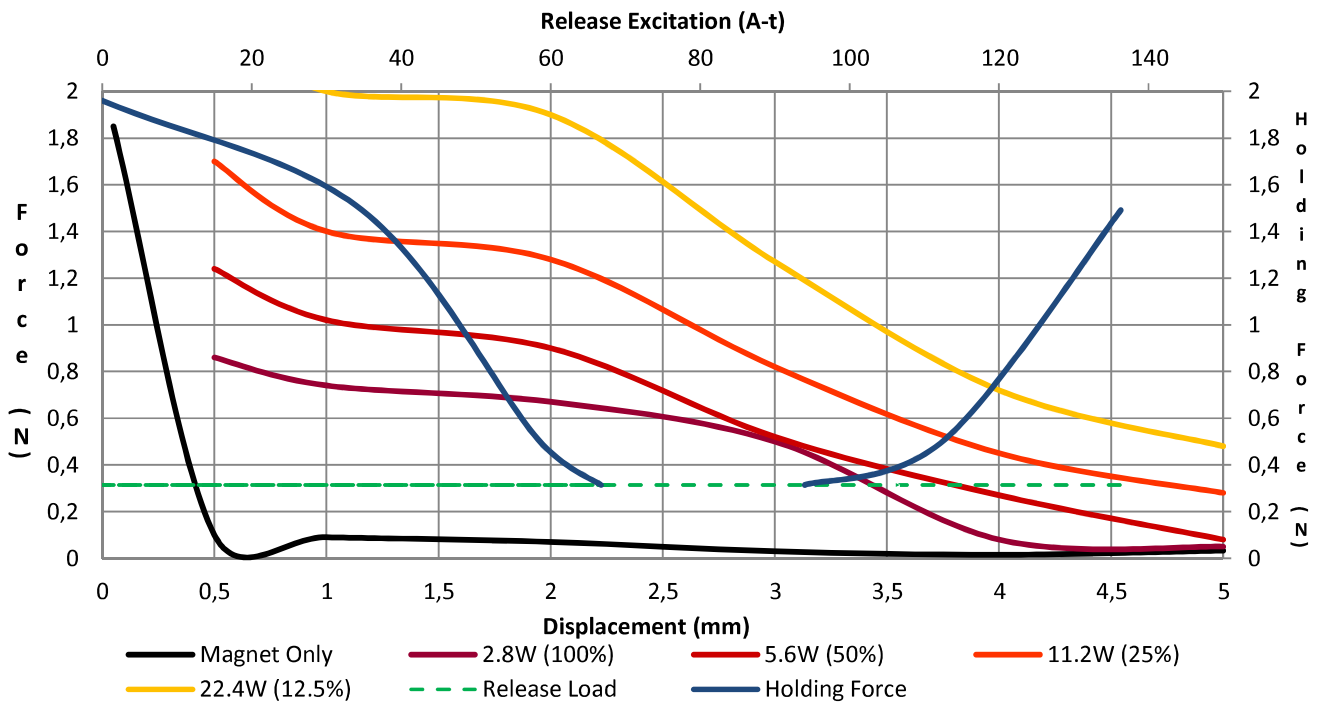
T1L-0422-6v	12.8 Ω	480	6	469 mA
T1L-0422-12v	51.4 Ω	940	12	233 mA
T1L-0422-24v	205.0 Ω	1890	24	117 mA

General Parameters

Life Expectancy (Cycles)	200 000
Mass	10.0 grammes
Plunger Mass	2.0 grammes
Leadwires 250mm (10")min, UL1007, AWG28	
Isolation Class	A (105°C)
Dielectric Strength 1000V AC, 50/60Hz, 1min	
Insulation Res >100MΩ, 500V DC Megger	



Force (N) vs Displacement (mm) & Release Characteristic



Geepus reserves the right to change specifications without notice
www.geepus.com