



GEEPLUS

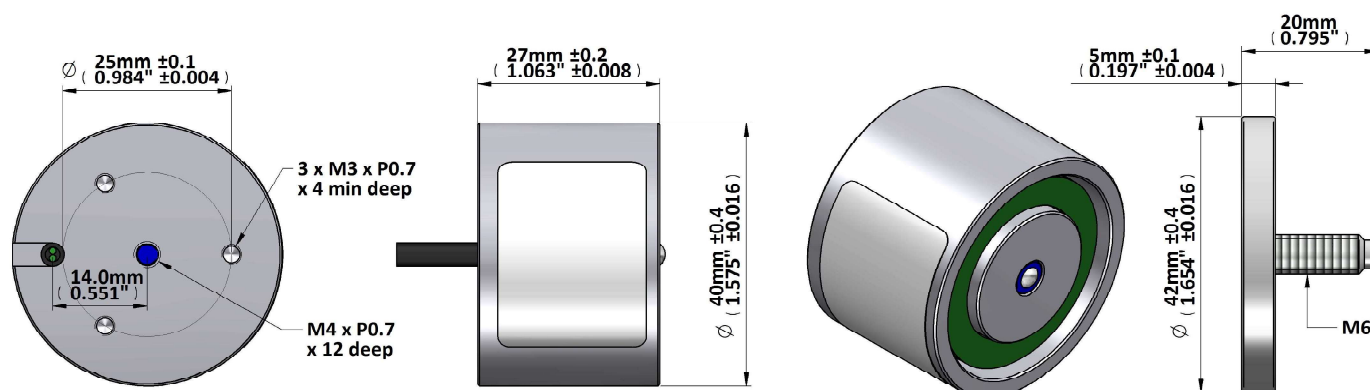
EM0040 & AP42

General Specifications

Insulation Class	Class A (105°C)
Insulation Resistance >50MΩ, 500V DC	
Dielectric Strength 500V AC, 50/60 Hz, 1 minute	

Mass
EM0040
220g
AP42
60g

Part Number	Coil Resistance	Voltage	Included Options
EM0040-12	34 Ω	12 V	
EM0040-24	135 Ω	24 V	
EME0040-12	34 Ω	12 V	Ejector Pin
EME0040-24	135 Ω	24 V	Ejector Pin



Holding Force Data

Separation (Airgap)	0.00 mm	0.00 mm	0.00 mm	0.00 mm	0.01 mm	0.01 mm
4.3W (100% ED)	440	350	168	101	17	5
2.15W (200% ED)	350	120	85	52	8	2
1.1W (400% ED)	280	90	85	16		

Holding force measured at 20°C to steel plate 8mm thick with surface Ra <1µm
 100% ED Power rating results in coil temperature rise of 65°C max with good heatsinking
 Force exerted by ejector pin in fully compressed condition 7N

Geeplus reserves the right to change specifications without notice
www.geeplus.com