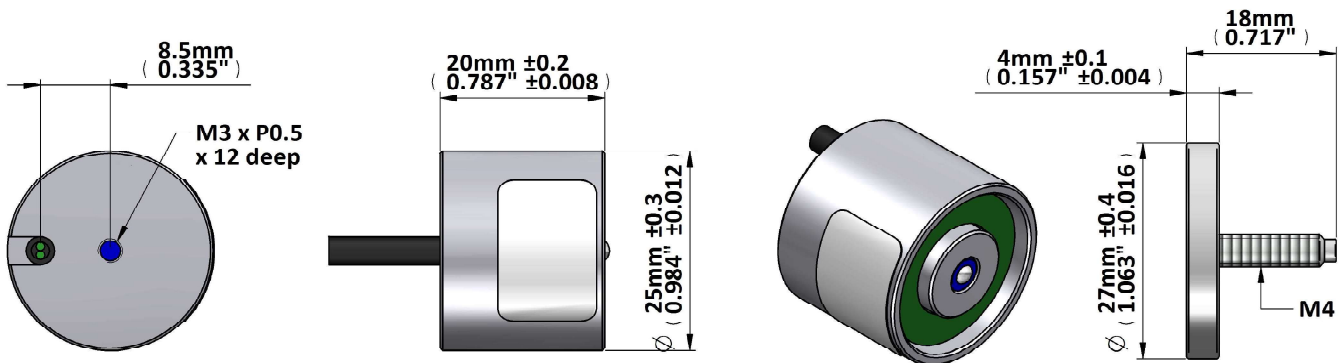


General Specifications

| | |
|-------------------------------------------------|-----------------|
| Insulation Class | Class A (105°C) |
| Insulation Resistance >50MΩ, 500V DC | |
| Dielectric Strength 500V AC, 50/60 Hz, 1 minute | |

| Mass |
|--------|
| EM0025 |
| 60g |
| AP27 |
| 20g |

| Part Number | Coil Resistance | Voltage | Included Options |
|-------------|-----------------|---------|------------------|
| EM0025-12 | 56 Ω | 12 V | |
| EM0025-24 | 220 Ω | 24 V | |
| EME0025-12 | 56 Ω | 12 V | Ejector Pin |
| EME0025-24 | 220 Ω | 24 V | Ejector Pin |



Holding Force Data

| Separation (Airgap) | 0.00 mm | 0.00 mm | 0.00 mm | 0.00 mm | 0.01 mm | 0.01 mm |
|---------------------|---------|---------|---------|---------|---------|---------|
| 2.2W (100% ED) | 110 | 105 | 40 | 14 | | |
| 1.1W (200% ED) | 85 | 77 | 18 | 6 | | |
| 0.6W (400% ED) | 80 | 51 | 5 | 3 | | |

Holding force measured at 20°C to steel plate 8mm thick with surface Ra <1μm
 100% ED Power rating results in coil temperature rise of 65°C max with good heatsinking
 Force exerted by ejector pin in fully compressed condition 5N