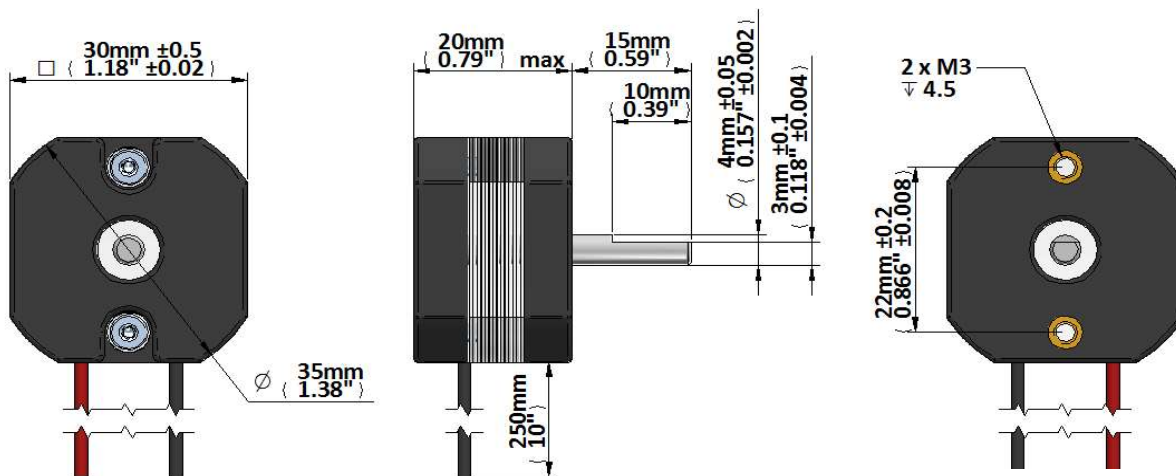




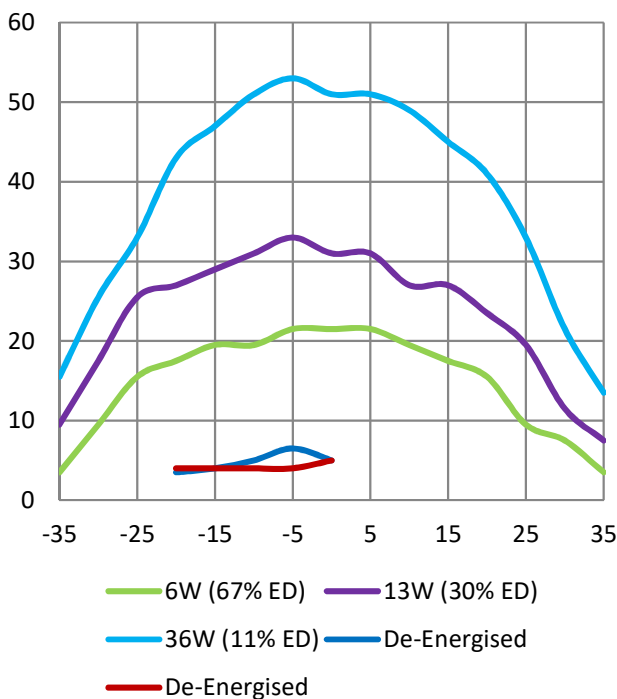
GEEPLUS

RM301-4P-06

Device drawn with shaft aligned to mid position
 Suffix 06, 12, 24 for operation at 6v, 12v, 24v, 100%ED
 Rotor Inertia 2.1 gcm²
 Life Expectancy >10M cycles, no load
 Optimal rotation +/- 15°, Mass 62 grammes
 Insulation Resistance >50MΩ, 500VDC Megger
 Dielectric Strength 500vAC, 50/60Hz, 1 minute
 Class E (120°C) insulation class



Torque (mNm) vs Angle



Response (ms) vs Load Inertia (gcm²)

