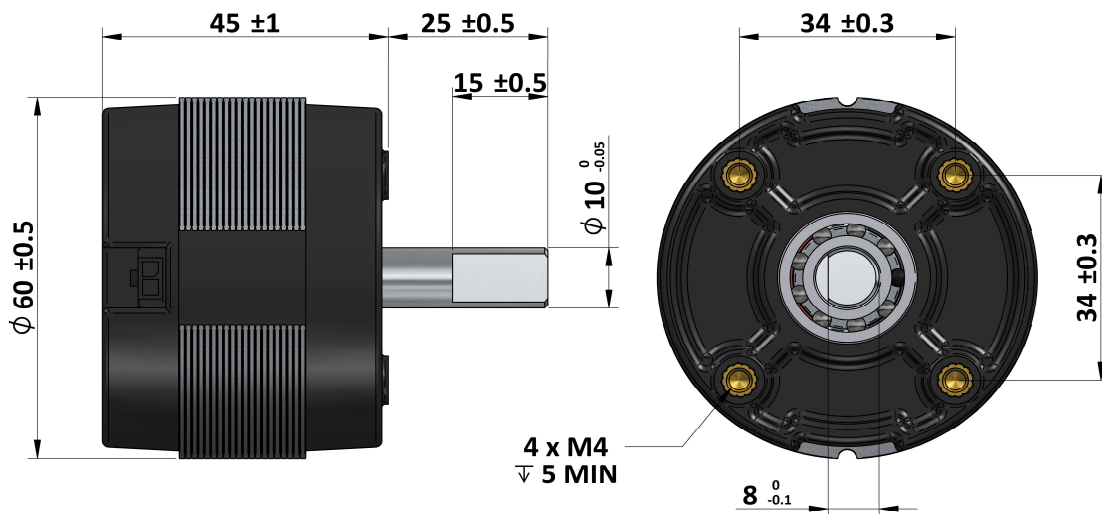




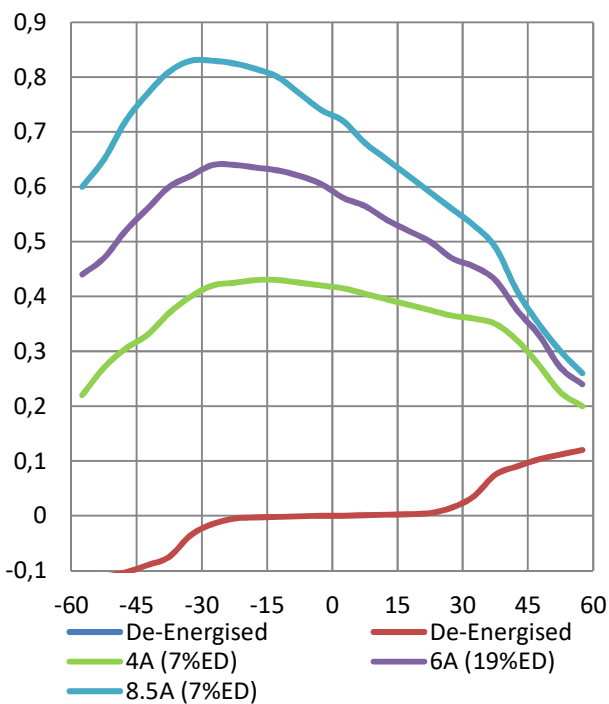
GEEPLUS

BRS6045G-90-6

Device drawn with shaft aligned to mid position
 Nominal Coil | Resistance 6Ω ,
 Rotor Inertia 42 gcm^2
 Life Expectancy $>10\text{M}$ cycles, no load, 90° rotation
 Connector compatible with Molex 43645-0200 connector
 Leadsets are available, P/N MF3-2H-L ('L' is length in mm)
 Mass 450 grammes



Torque (Nm) vs Angle



Response (ms) vs Load Inertia (gcm^2)

