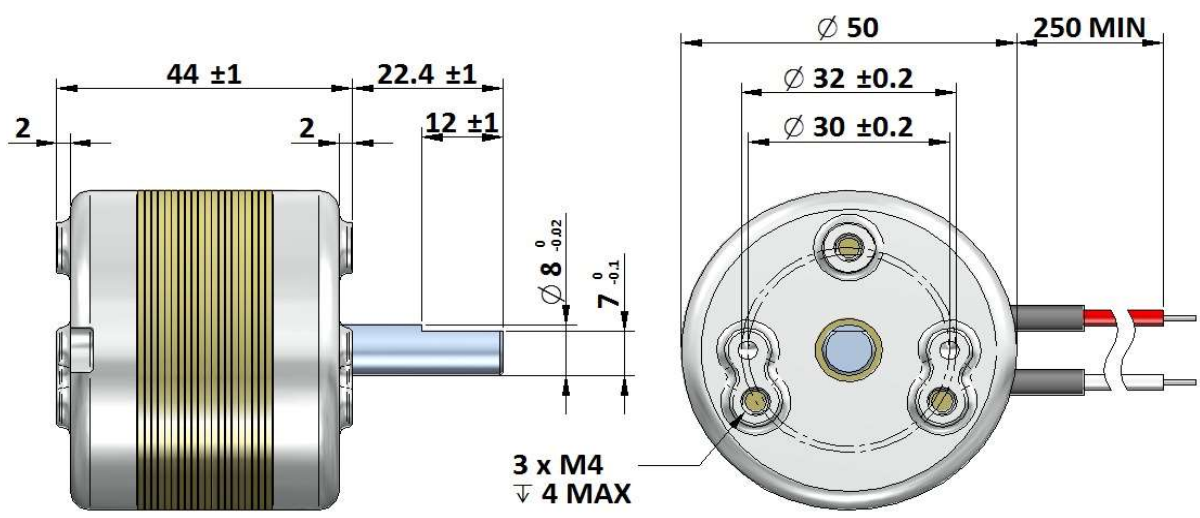
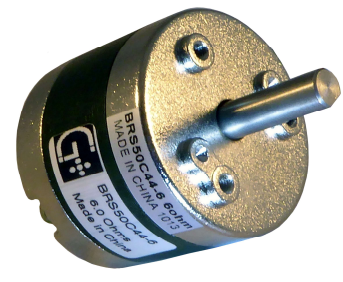
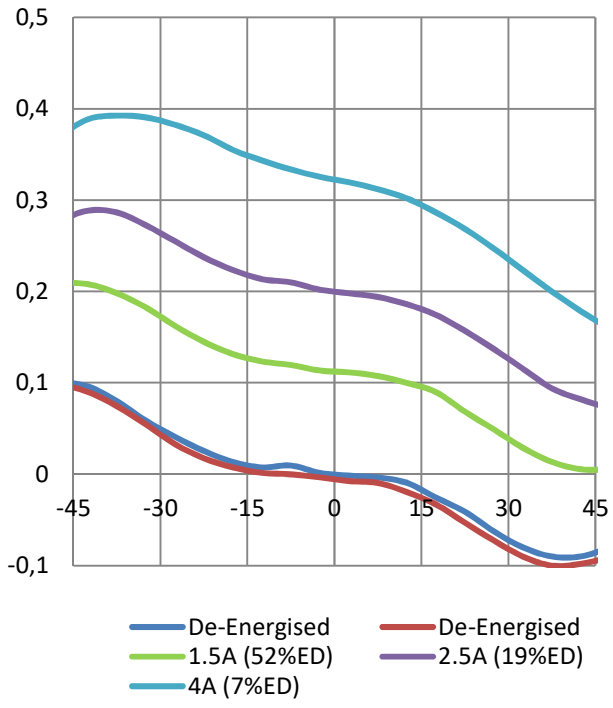


GEEPLUS BRS50C44-6

Device drawn with shaft aligned to mid position
 Nominal 6Ω, 5mH for operation at 24v, 7%ED
 Rotor Inertia ? gcm²
 Life Expectancy >10M cycles, no load
 Optimal rotation +/-15°, Mass 310 grammes
 Turns CW from position shown, +ve applied to Red lead
 Leadwires AWG24 stranded leads



Torque (Nm) vs Angle



Response (ms) vs Load Inertia (gcm²)

