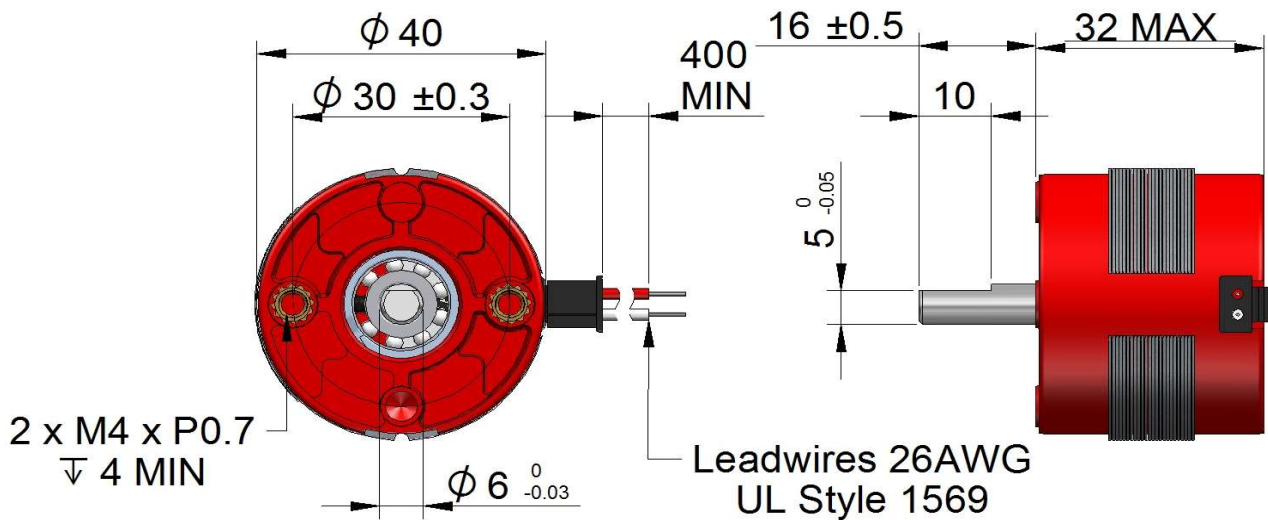




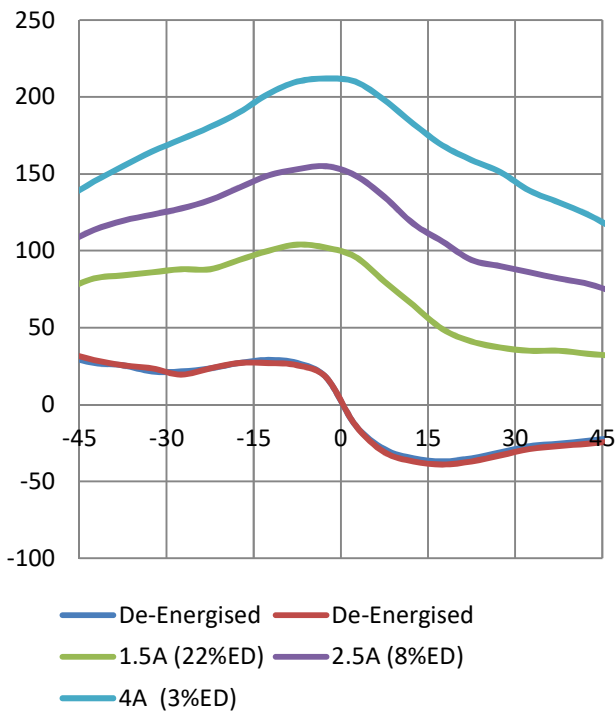
GEEPLUS

BRS4032G-10

Device drawn with shaft aligned to mid position
 Nominal 10Ω, 8mH (At 0°) for operation at 24v, 9%ED
 Rotor Inertia 6.5 gcm²
 Life Expectancy >10M cycles, no load
 Optimal rotation +/- 30°, Mass 155 gramms
 Turns CW from position shown, +ve applied to Red lead
 Leadwires AWG26 stranded leads



Torque (mNm) vs Angle



Response (ms) vs Load Inertia (gcm²)

