



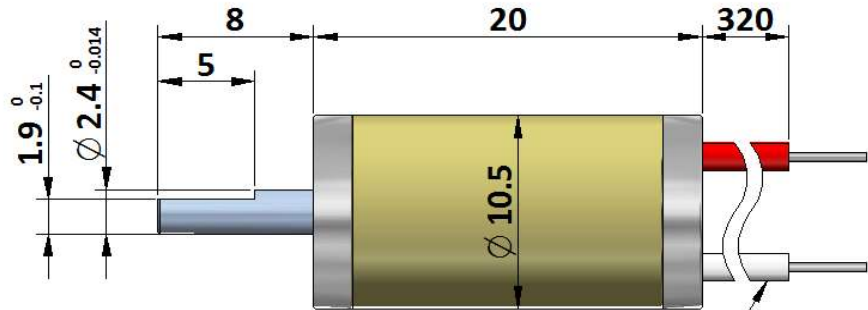
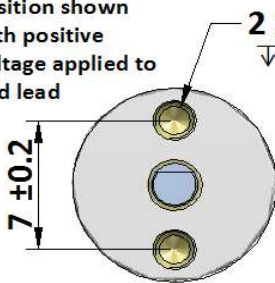
**GEEPLUS**

**BRS1020-13**

Device drawn with shaft aligned to mid position  
 Nominal  $13\Omega$ ,  $0.6\text{mH}$  for operation at  $380\text{mA}$ ,  $100\%ED$   
 Rotor Inertia  $0.017\text{gcm}^2$   
 Life Expectancy  $>10\text{M}$  cycles, no load  
 Optimal rotation  $\pm 30^\circ$ , Mass 8 grammes  
 Insulation Resistance  $>100\text{M}\Omega$ ,  $500\text{VDC}$  Megger  
 Dielectric Strength  $500\text{vAC}$ ,  $50/60\text{Hz}$ , 1 minute

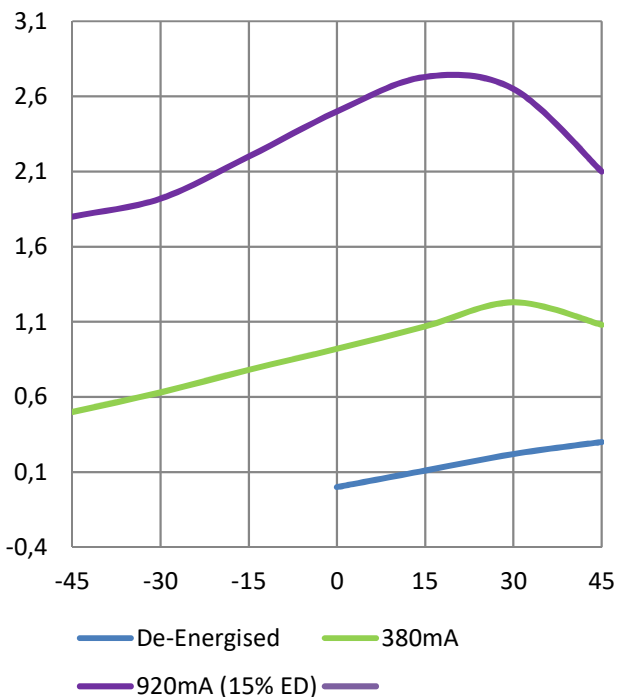


Shaft drives clockwise from position shown with positive voltage applied to Red lead



26 AWG, UL1685

**Torque (mNm) vs Angle**



**Response (ms) vs Angle**

